

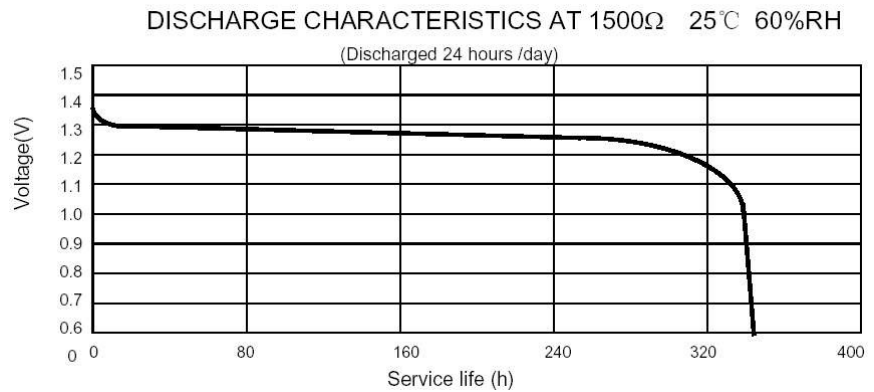
battery type: Zinc - air button cell (hearing aid battery)
battery size: A13; PR48
chemical system: Alkaline Zinc - Air

nominal voltage: 1,4V **conditions** no load

capacity
rated: 280mAh at 1500ohms load; discharge 24h/day;
 25°C; RH 60%; End Voltage 0,9V

operating time: min. 285h ditto

discharge diagram:



Impedance: ≤ 4ohms at 1000Hz

limiting current: 8mA at 1,1V

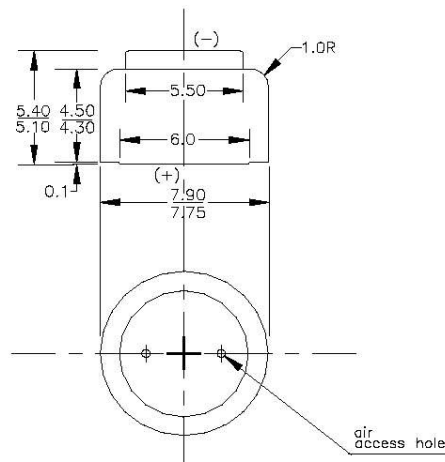
operating temperature range: 0...50°C

recommended storage temperature range: 5...25°C

mechanical specifications
average weight: 0,84g

volume: 0,25cm³

dimensions:



	specifications for model/type:	A13 (PR48) Zinc Air Battery
		V1
	Ansmann drawing number / part number:	5013243
	author / date:	Gramlich / 05.08.2008