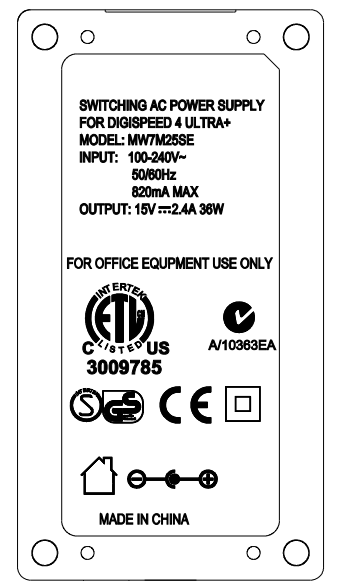
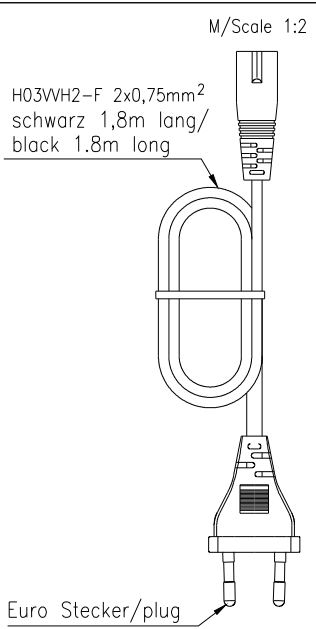
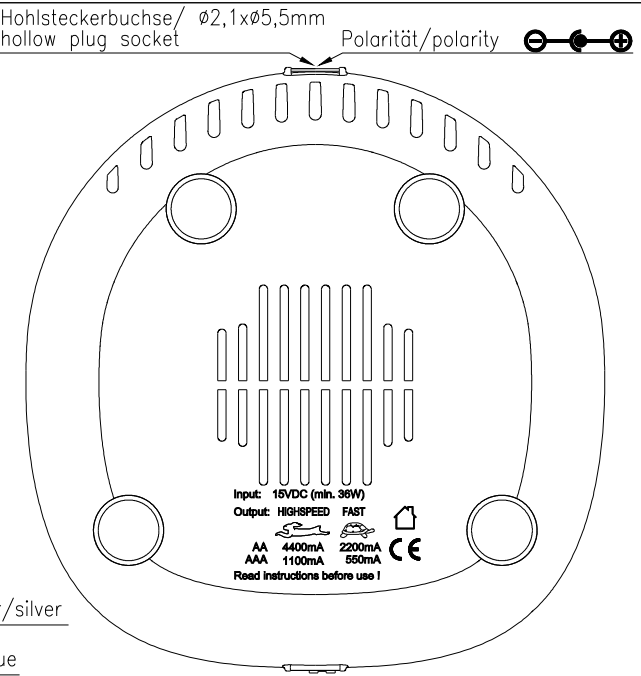
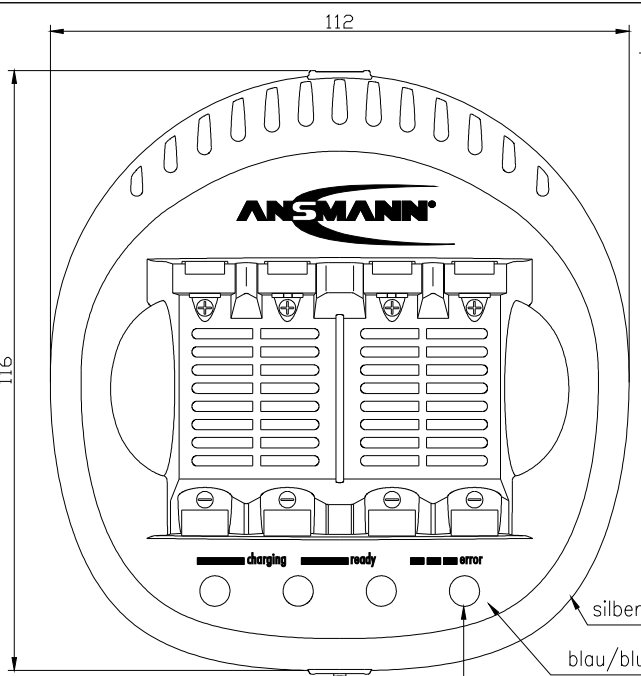


ANSMANN reserves the right to modify and improve at any time the product design in this data sheet without notice. The information in this data sheet is subject to change without notice. ANSMANN makes no liability for any damages or losses of any kind. The product is protected by patent and trademark. All rights reserved. ANSMANN makes no liability for any damages or losses of any kind. The product is protected by patent and trademark. All rights reserved. ANSMANN makes no liability for any damages or losses of any kind. The product is protected by patent and trademark. All rights reserved.



Technische Daten Tischladegerät / technical data desk-top charger

Eingangsspannung/ input voltage : 15V ±10% min.36W

Ladeströme/ charging currents : 4400mA ±20% für/for HIGHSPEED AA Akkus/batteries
 1100mA ±20% für/for HIGHSPEED AAA Akkus/batteries
 2200mA ±20% für/for FAST AA Akkus/batteries
 550mA ±20% für/for FAST AAA Akkus/batteries

Abschaltung/ cut off : -dU / dt/dT / timer

Erhalteladung/ trickle charge : 72mA ±20% - HIGHSPEED AA Akkus/batteries
 36mA ±20% - HIGHSPEED AAA Akkus/batteries
 36mA ±20% - FAST AA Akkus/batteries
 18mA ±10% - FAST AAA Akkus/batteries

Timer : HIGHSPEED: AA 65min / AAA 110min ±20%
 FAST: AA 130min / AAA 220min ±20%

Leitplatten Material/ pcb material : FR4

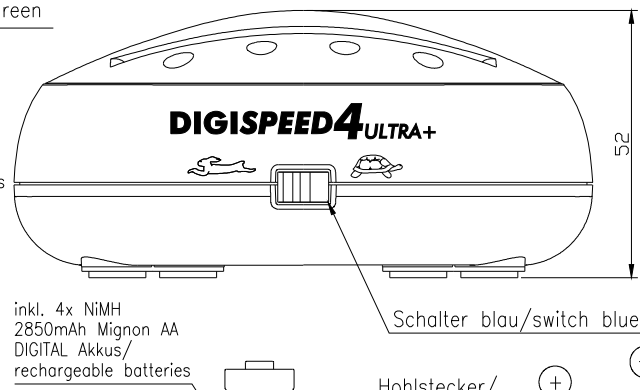
Gehäuse/ case : Tischgehäuse blau-silber 112x116x52mm/ desk-top case blue-silver 112x116x52mm

Approbation/ approval : CE

Anzeigen/ indicators : Ladeanzeige/ charging indicator : LED rot leuchtet/ LED red permanent on
 für Erhalteladung/ for trickle charging : LED rot aus, LED grün leuchtet/ LED red off, LED green permanent on
 Batterie defekt/ faulty battery : LED rot blinkt/ LED red flashes

Gewicht/ weight : 750g inkl. Zubehör und Verpackung/ 750g incl. accessories and package

Verpackung/ packaging : Einzelverpackung, blisterverpackt ca.172x74x252mm (LxBxH) inkl. mehrsprachiger Bedienungsanleitung VE: 4 Stück/ individual packaging, blisterpacked approx.172x74x252mm (LxWxH) incl. multilingual operating instructions PU: 4 pieces



Technische Daten Steckernetzgerät / technical data plug-in power supply

Eingangsspannung/ input voltage : 100-240VAC ±10% 50/60Hz

Nenn-Ausgangsspannung/ nominal output voltage : 15VDC ±10%

Ausgangsstrom/ output current : 2400mA

Anzeige/ indicator : Power LED rot/red

Betriebstemperatur/ operating temperature : -10°C.....+25°C

Lagertemperatur/ storage temperature : -25°C.....+70°C

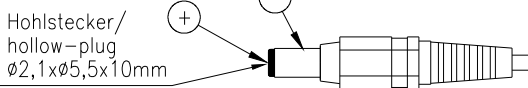
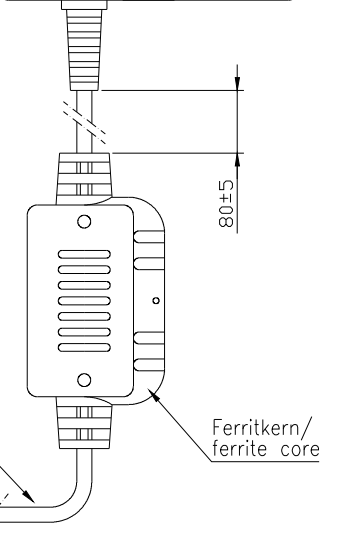
Gewicht/ weight : 200g

Gehäuse/ case : Steckergehäuse schwarz 110x59x36mm (LxBxH)/ plug-in case black 110x59x36mm (LxWxH)

Gehäusematerial/ housing material : UL94V-0

Approbation/ approvals : CE ; GS ; cETLus ; SAA

Rundkabel schwarz 1,8m ±10cm lang / round cable black 1.8m ±10cm long



Verwendungsbereich/ Application range für Anfrage/ for inquiry AN17804N		Zul. Abweichung/ Allowable deviation	Oberfläche/ Surface	Maßstab/ Scale 1:1	Gewicht/ Weight
					Werkstoff/ Work material, Modell-Nr.
					Zeichnungsname/ Drawing name
					Tischladegerät/ desktop charger DIGI SPEED 4 Ultra+/2850 EURO
		2008 Datum/ Date	Name	Zeichnungsnummer/ Drawing number	
		Erstellt/ Drawn by	SP	Artikelnummer/ Part number	
				5707153	
				Blatt/ Sheet	
				1	
Version		Änderung/ Change	Datum/ Date	Name	Ursprung/ Origin Proj 047/35/06
					Ersatz für/ Replaced by
					Ersatz durch/ Replacement through