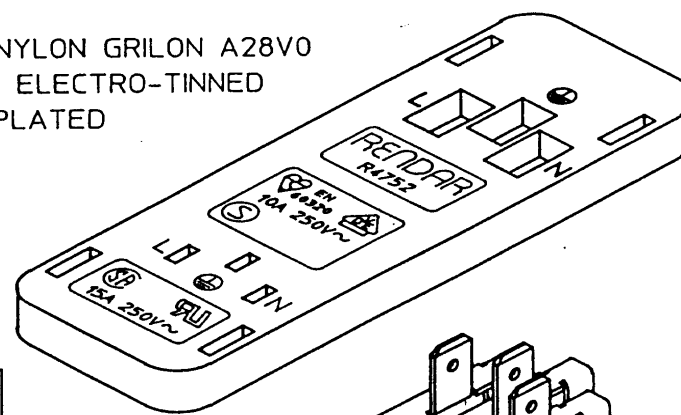
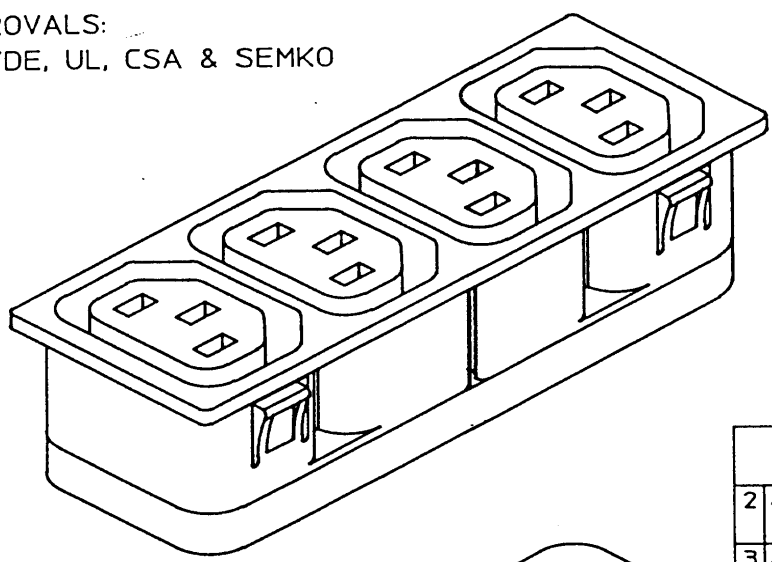


SPECIFICATION:
 EN 60320-2-2: 1992 STD. SHT. F - COLD CONDITION CLASS I
 EN 60320-2-2: 1992 STD. SHT. H - COLD CONDITION CLASS II

RATING:
 10A 250V AC (BS, VDE & SEMKO)
 15A 250V AC (UL & CSA)

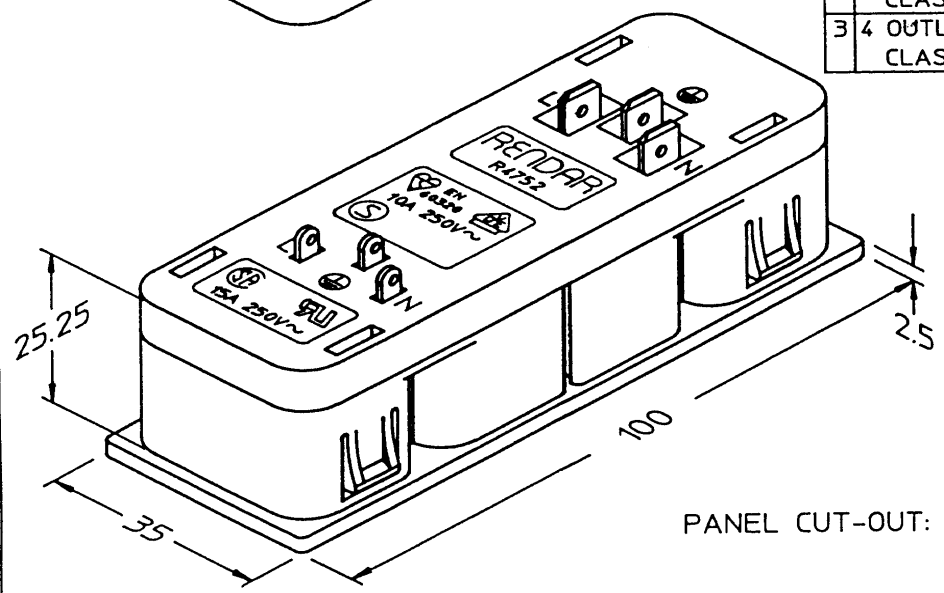
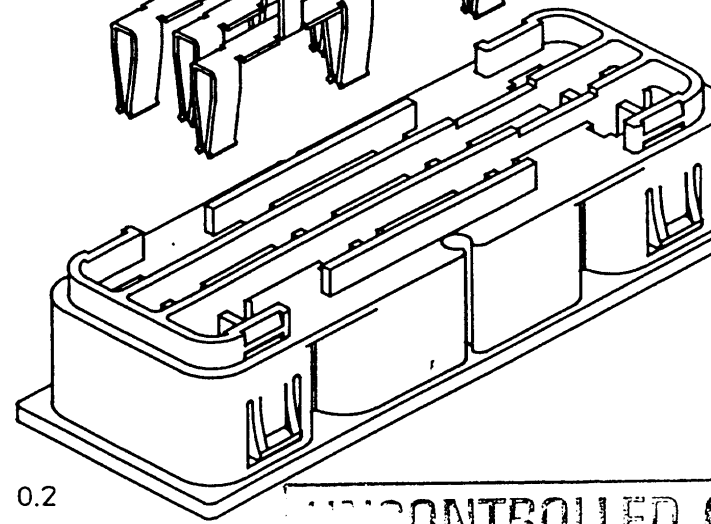
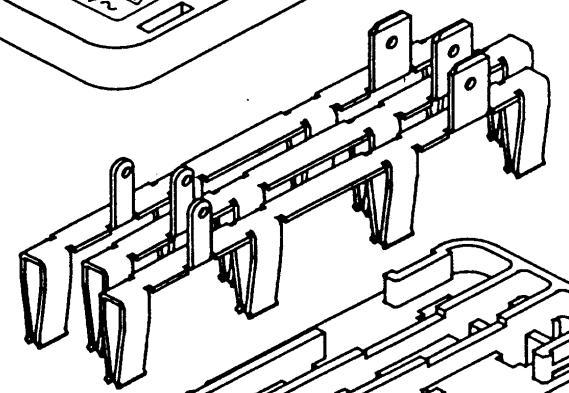
APPROVALS:
 BS, VDE, UL, CSA & SEMKO

MATERIALS:
 BODY MOULDINGS - NYLON GRILON A28V0
 CONTACTS - BRASS, ELECTRO-TINNED
 OR UNPLATED



CATALOGUE NUMBER
 R 475. O

TYPE	PANEL SIZE	CONTACTS/TERMINALS	COLOUR
2 4 OUTLETS CLASS I	2 0.8	0 PLATED	0 BLACK
3 4 OUTLETS CLASS II	3 1.0	1 UNPLATED	1 WHITE
	4 1.5		
	5 2.0		
	6 2.5		
	7 3.0		
	8 1.2		

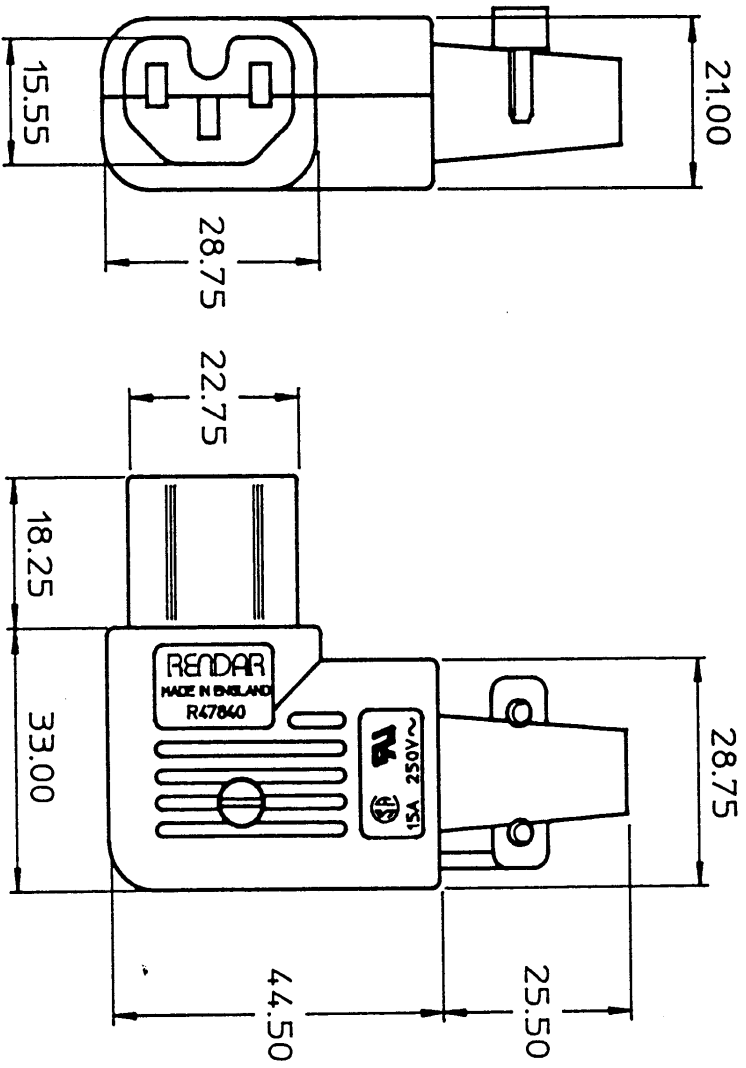


PANEL CUT-OUT: 96.2 mm ± 0.2 x 32.5mm ± 0.2
 MAX. CORNER RAD. 5mm

UNCONTROLLED

TOLERANCES X.X +/- 0.4 X.XX +/- 0.1 UNLESS STATED OTHERWISE	MATL.	SCALE: NOT TO SCALE	TITLE OUTLINE DRAWING 4-OUTLET MODULE
	FINISH	DO NOT SCALE DRAWING	
DIMS IN MM	RENDAR	USED ON:	DRG No.
		SHT. 1 OF 1 SHTS.	RB 475.703.00

BOGNOR REGIS, WEST SUSSEX



SPECIFICATION

EN 60320 PART 1 STD SHEET C13 (CLASS I COLD CO
 EN 60320 PART 1 STD SHEET C15 (CLASS I HOT CON
 10A 250V (VDE)
 15A 250V (UL CSA)

APPROVALS

VDE UL CSA

MATERIALS

BODY MOULDINGS - POLYAMIDE 6 GRILON, A28V0
 CONTACTS - BRASS
 CONTACT SCREWS - BRASS
 CONTACT NUTS - BRASS
 CABLE CLAMP SCREWS - STEEL, BRIGHT NICKEL PLA
 COVER SCREW - STEEL, BRIGHT NICKEL PLATED
 INSERTS - ZINC ALLOY
 CABLE GUARD - PVC

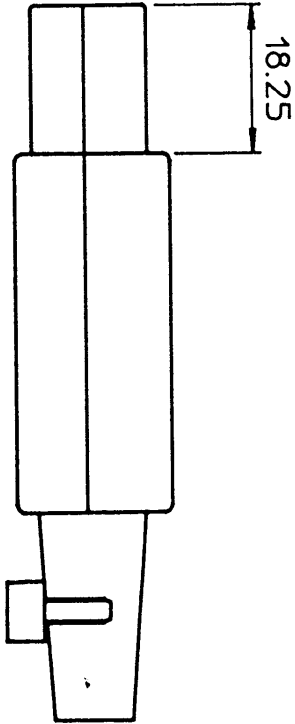
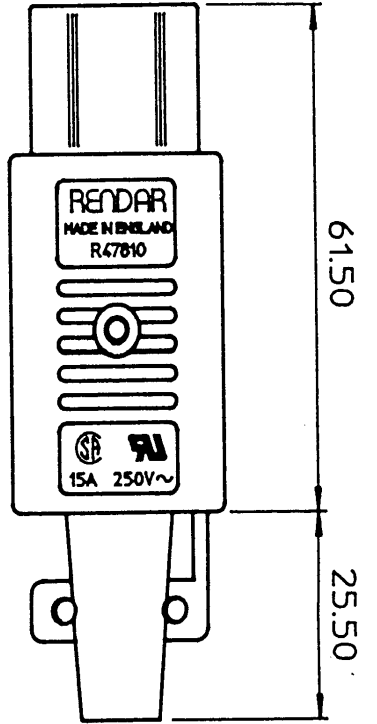
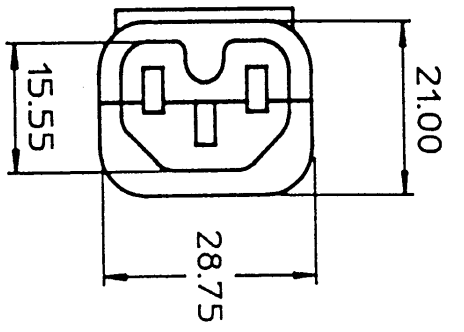
CATALOGUE NUMBER

RA 478.018.00

UNCONTROLLED COPY

TYPE		MARKING		CABLE GUARD		COLO	
4	HOT CONDITION CLASS I	0	RENDAR	0	SMALL	0	BLA
5	COLD CONDITION CLASS I	1		1	LARGE	1	WHIT

DRN. P.H.FROUD	ISS.	MOD. & DATE	ISS.	MOD. & DATE	TOLERANCES	HA.TL	SCALE	FULL SIZE	TITLE
DRN. R.D.	1	29.96	4	18.97 C4526	XX +/- 0.4 XXX +/- 0.1 UNLESS STATED OTHERWISE	FINISH	DO NOT SCALE DRAWING USED ON:		OUTLINE DRAWING RIGHT-ANGLED CONNE
DESIGN APPROVAL	2	3.6.97 C4516				SEE ABOVE	SHT. 1 OF 1 SHTS.		DRG No. RA 478.018.00
PROON APPROVAL	3	10.6.97 C4520			DIMS IN MM	RENDAR BOGNOR REGS, WEST SUSSEX			



SPECIFICATION

EN 60320 PART 1 STD SHEET C13 (CLASS I COLD CONN)
 EN 60320 PART 1 STD SHEET C15 (CLASS I HOT CONN)
 10A 250V (VDE)
 15A 250V (UL CSA)

APPROVALS

VDE UL CSA

MATERIALS

BODY MOULDINGS - POLYAMIDE 6 GRILON A28V0
 CONTACTS - BRASS
 CONTACT SCREWS - BRASS
 CONTACT NUTS - BRASS
 CABLE CLAMP SCREWS - STEEL, BRIGHT NICKEL PLATED
 COVER SCREW - STEEL, BRIGHT NICKEL PLATED
 INSERTS - ZINC ALLOY
 CABLE GUARD - PVC

CATALOGUE NUMBER

RA 478.017.0

TYPE
1 HOT CONDITION CLASS I
2 COLD CONDITION CLASS I

MARKING
0 RENDAR

CABLE GUARD
0 SMALL
1 LARGE

COLOR
0 BLACK
1 WHITE

UNCONTROLLED

DRN P.M.F.ROUD	ISS.	MOD. & DATE	ISS.	MOD. & DATE	TOLERANCES	HATL.	SEE ABOVE	SCALE	FULL SIZE	TITLE
CHKD. R.D.	1	29.96	4	18.97 C4526	XX +/- 0.4 XXX +/- 0.1 UNLESS STATED OTHERWISE	FINISH	SEE ABOVE	DO NOT SCALE DRAWING		OUTLINE DRAWING
DESIGN APPROVAL	2	3.6.97 C4518				RENDAR		USED ON		STRAIGHT CONN
PROD. APPROVAL	3	10.6.97 C4520			DIMS IN MM	BOGNOR REGS. WEST SUSSEX		SHT. 1 OF 1 SHTS.		RA 478.017.00