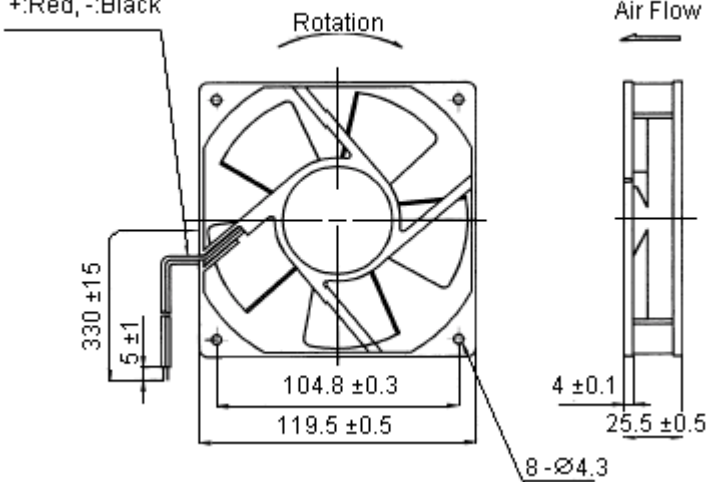


Axial Fan

Brushless DC



UL1007 #24AWG
+:Red, -:Black



Dimensions : Millimetres

Characteristics:

Motor Design	: Patented single-coil DC brushless 6 poles motor design.
Insulation Resistance	: More than 500MW between internal stator and lead wire(+) measured by 500V dc.
Dielectric Strength	: Applied 500V ac for one minute or 600V ac for 2 seconds between housing and lead wire(+).
Noise Level	: Measured in an semi-anechoic chamber with background noise level below 15 dB(A). The fan is running in free air with microphone at a distance of one meter from the fan intake.
Input power, Current & Speed	: Measured after continuous 30 minutes operation at rated voltage in clean air at ambient temperature of 25°C.
Tolerances	: ±15% on rated power and current.
Motor Protection	: Polarity protected and Locked rotor protected.
Air Performance	: Measured by a double chamber. The value are recorded when the fan speed is stabilized at rated voltage.

Specifications:

Rated Voltage	: 12V dc.
Operating Voltage Range	: 10.2 to 13.8V dc.
Starting Voltage	: 8V dc.
Rated Speed	: 2800 RPM ±300 RPM.
Air Delivery	: 80 CFM.

Axial Fan

Brushless DC

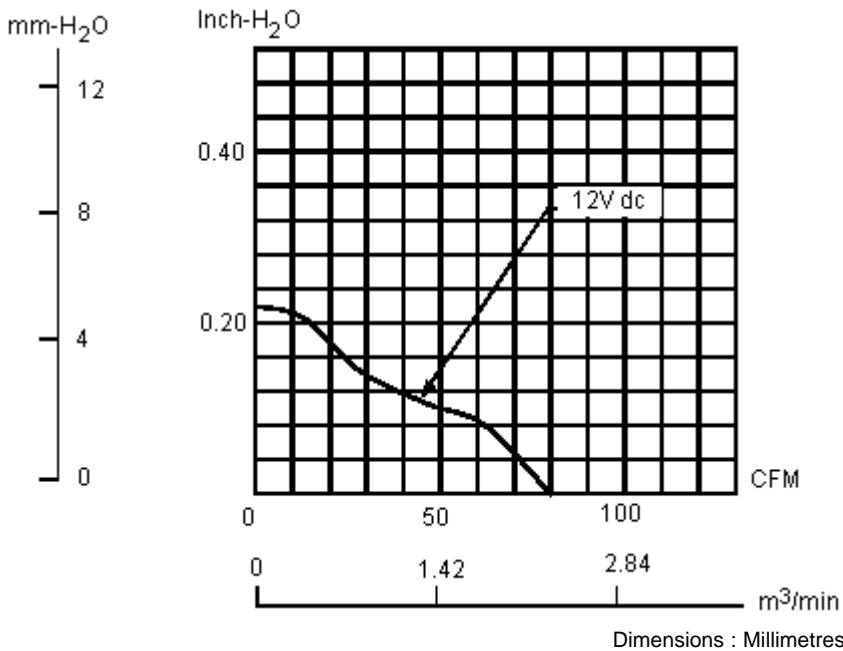


Specifications:

- Static Pressure : 0.22 Inch-H₂O.
- Rated Current : 0.30 AMP.
- Rated Power : 3.6 Watts.
- Noise Level : 41 dB(A).
- Direction of Rotation : Counter-clockwise viewed front fan blade.
- Operating Temperature : -10 to +70°C.
- Storage Temperature : -40 to +70°C.
- Bearing System : Precise ball bearing system.
- Weight : 255g.
- Safety : UL/CUR/TUV Approvals.
- Vibration : Vibration of acceleration 1.5G and Frequency 5 to 50 to 5Hz is applied in the 3 directions (X,Y,Z) for 30 minutes, each direction at the cycle of 1 minute.
- Locked Rotor Protection : Automatic restart capability.

Material:

- Frame : Thermoplastic PBT.
- Impeller : Thermoplastic PBT.
- Bobbin : Thermoplastic PBT.
- Lead Wire : UL1007, 24AWG,+red;-black.



Part Number Table

Description	Part Number
Fan, 119mm. 12V dc	KD1212PTB2-6A.GN

Disclaimer This data sheet and its contents (the "Information") belong to the Premier Farnell Group (the "Group") or are licensed to it. No licence is granted for the use of it other than for information purposes in connection with the products to which it relates. No licence of any intellectual property rights is granted. The Information is subject to change without notice and replaces all data sheets previously supplied. The Information supplied is believed to be accurate but the Group assumes no responsibility for its accuracy or completeness, any error in or omission from it or for any use made of it. Users of this data sheet should check for themselves the Information and the suitability of the products for their purpose and not make any assumptions based on information included or omitted. Liability for loss or damage resulting from any reliance on the Information or use of it (including liability resulting from negligence or where the Group was aware of the possibility of such loss or damage arising) is excluded. This will not operate to limit or restrict the Group's liability for death or personal injury resulting from its negligence. SPC Multicomp is the registered trademark of the Group. © Premier Farnell plc 2008.

<http://www.farnell.com>
<http://www.newark.com>
<http://www.cpc.co.uk>

