

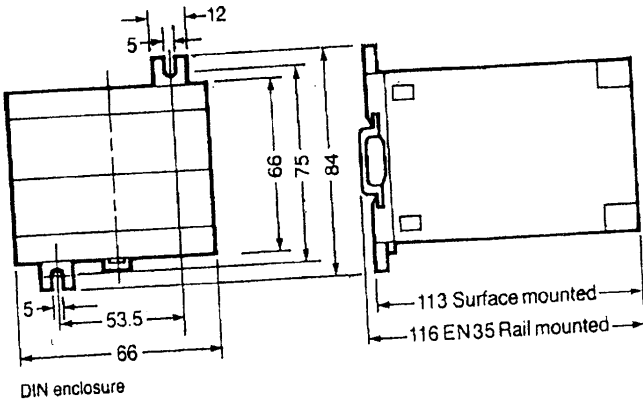
Technical Specification

715-4860
715-4872

Dimensions (mm)

DMPR

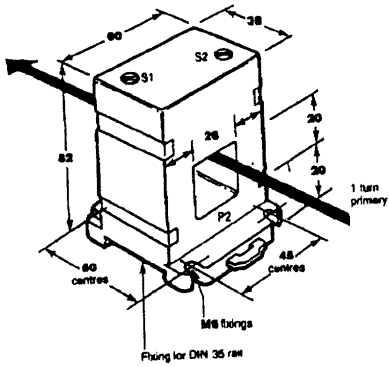
Weight 0,35kg



Order references

01 000158 221
01 000158 222
01 000158 223

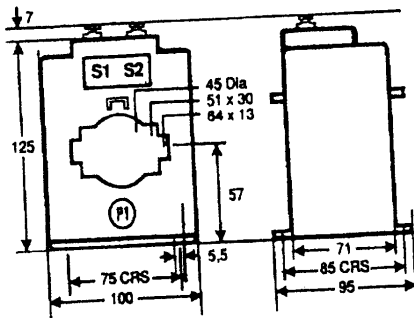
Weight 0,24kg



Order references

01 000158 300

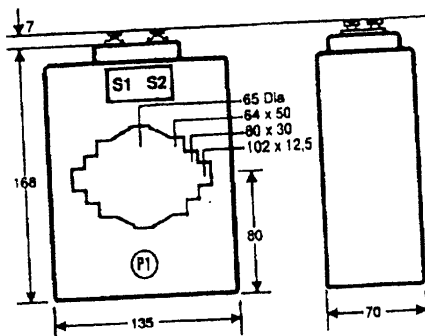
Weight 1kg



Order references

01 000158 302
01 000158 303
01 000158 304

Weight 2kg



Machinery, Low Voltage & EMC Directives: The products described in this document conform to relevant EU Directives and Standards. They are intended for use by competent personnel with the skills necessary to affect safe and reliable installation. The performance of the overall system in which the products are employed is the sole responsibility of the installer. Whilst every care has been taken in the preparation of this leaflet, no liability is accepted for any consequences of its use. No licence to use any patent should be assumed. All dimensions quoted are approximate only and subject to change without notice, as are other technical features resulting from continual development and improvement.