

### Switches HFX Thumbwheel

CH Products' HFX Thumbwheel is a self centering, single-axis device developed for thumb-actuated applications requiring proportional output control. Utilizing non-contact Hall effect technology for long life performance, the HFX Thumbwheel delivers up to 5,000,000 thumb actuations. Configuration options include choice of linear voltage output as well as wheel color. The HFX Thumbwheel is available as a stand-alone device or may be incorporated into one of CH Products' custom joysticks.

#### Key Features

- Five million cycles typical
- Hall effect sensing technology
- Proportional control
- Three output options
- Self centering single-axis design
- Choice of wheel color: red, gray, black, or blue
- EMI/RFI immunity
- Environmental Protection Classification (IP Rating): *contact factory*



#### Mechanical Specifications

Actuation force:	80 grams (0.78 Newtons)
Operating temp:	-40°C to +85°C
Lifecycles:	5,000,000

#### Electrical Specifications

Supply voltage:	4.0V - 5.0V min
Supply current:	10mA max
Output current:	2mA max
Output tolerance:	±2%

#### Output Options

0V to 5.0V  
0.5V to 4.5V  
1.0V to 4.0V

#### Related Documents

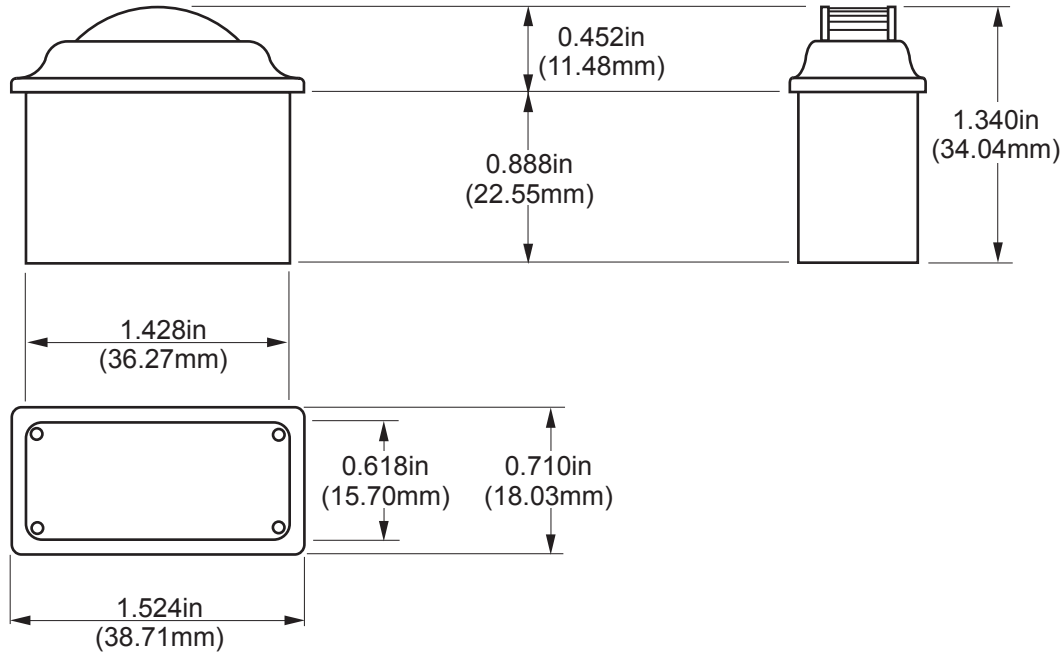
[HFX Thumbwheel Technical Drawing.pdf](#)

| [CH Products.com](#) | [Industrial Home](#) | [Finger Operated Joysticks](#) | [Hand Grip Joysticks](#) | [Trackballs](#) |

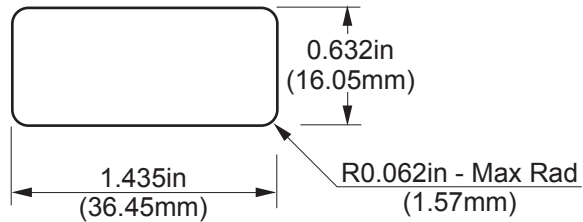
| [Support](#) | [Distributors](#) | [Contact Us](#) |

All specifications are subject to change without notice.

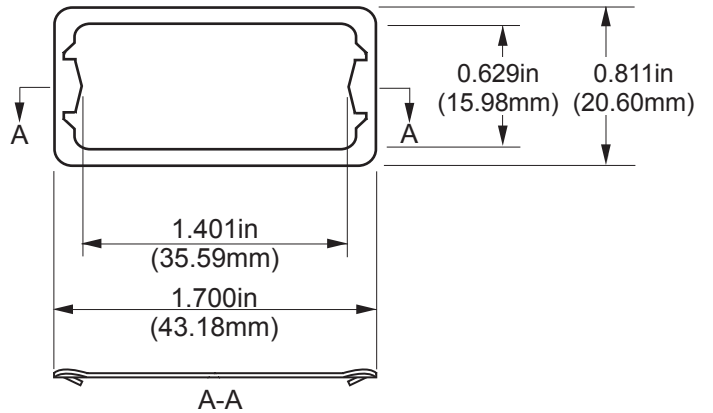
# HALL EFFECT THUMBWHEEL



## MOUNTING CUT-OUT DIMENSIONS



## STEEL SPRING RETAINER \*



\* - used for installation



**CH PRODUCTS**

970 Park Center Drive, Vista, CA 92081  
 Tel: 760-598-2518 Fax: 760-598-2524  
 www.CHProducts.com

TD064-11/12/07/VS