

CFPS-107, 108, 109

ISSUE 1; 29 JULY 2008



Delivery Options

- Please contact our sales office for current leadtimes

Description

- The CFPS-107, 108, 109 are ultra miniature surface mount oscillators at the watch crystal frequency of 32.768kHz and with a CMOS output.

Output Compatibility

- Tri-state CMOS
- Drive Capability 15pF max

Package Outline

- 2.5 x 2.0mm SMD package with ceramic base & seam sealed metal lid.

Frequency

- 32.768kHz

Frequency Stabilities

- $\pm 20\text{ppm}$, $\pm 25\text{ppm}$, $\pm 50\text{ppm}$, $\pm 100\text{ppm}$
(Inclusive of tolerance & operating temperature range)

Operating Temperature Ranges

- 0 to 70°C (CFPS-107, 108, 109)
- -40 to 85°C (CFPS-107I, 108I, 109I)

Ageing

- $\pm 3\text{ppm}$ max per year

Storage Temperature Range

- -55 to 125°C

Tri-state Operation

- Logic '1' to pad 1 enables oscillator output
- Logic '0' to pad 1 disables oscillator output; when disabled the oscillator output goes to the high impedance state
- No connection to pad 1 enables oscillator output

Environmental

- Shock: MIL-STD-883F : 2002.4, 1500G, 0.5ms, 3 times in each X, Y & Z axes
- Vibration: MIL-STD-883F : 2007.3, frequency range 20-2000Hz, 1.52mm amplitude, peak acceleration 20G

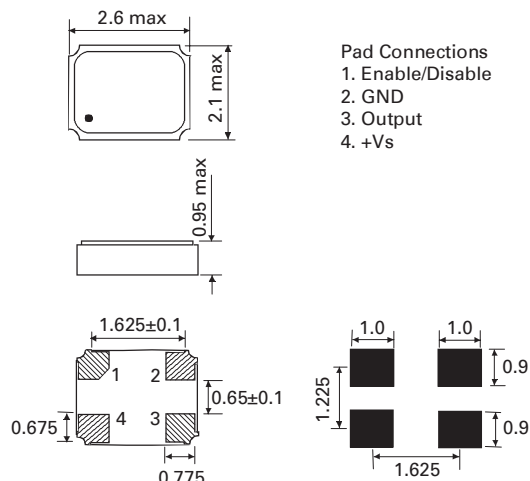
Marking includes

- Model Number

Minimum Order Information Required

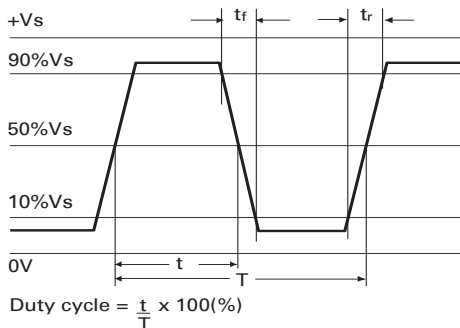
- Frequency + Model Number + Operating Temperature Code (if applicable) + Frequency Stability

Outline in mm

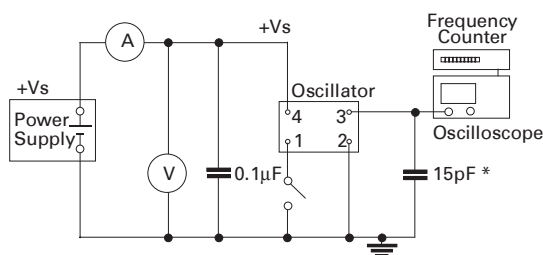


Pad Connections
 1. Enable/Disable
 2. GND
 3. Output
 4. +Vs

Output Waveform



Test Circuit - CMOS



* Inclusive of jigging & equipment capacitance



Electrical Specifications - maximum limiting values when measured in CMOS test circuit.

Frequency	Frequency Stability	Supply Voltage	Supply Current	Rise Time (tr)	Fall Time (tf)	Duty Cycle	Model Number
32.768kHz	$\pm 20\text{ppm}$, $\pm 25\text{ppm}$, $\pm 50\text{ppm}$, $\pm 100\text{ppm}$	1.8V $\pm 5\%$	1.5mA	50ns	50ns	40/60%	CFPS-107 CFPS-107I
		2.5V $\pm 5\%$	2.5mA				CFPS-108 CFPS-108I
		3.3V $\pm 10\%$	3.5mA				CFPS-109 CFPS-109I

Ordering Example 32.768kHz CFPS-109 I C

Frequency _____

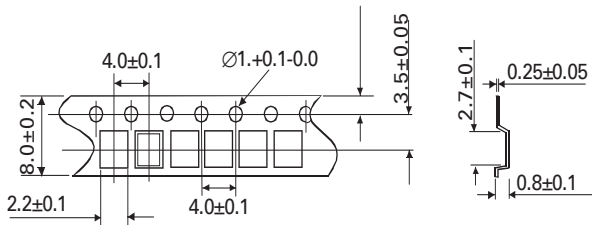
Model No _____

Operating Temperature Code: I = -40 to 85°C, Not applicable for 0 to 70°C _____

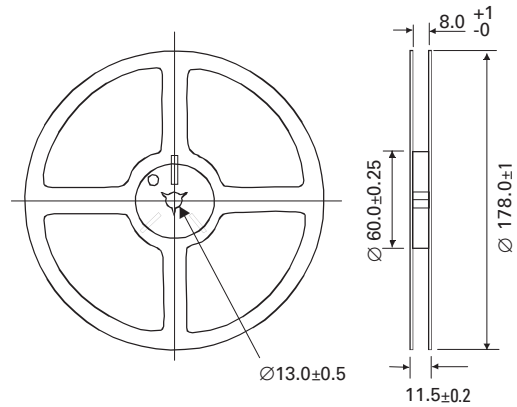
Frequency Stability: G = $\pm 20\text{ppm}$, A = $\pm 25\text{ppm}$, B = $\pm 50\text{ppm}$, C = $\pm 100\text{ppm}$ _____

SURFACE MOUNT
SPX0s

Outline in mm - Tape



Outline in mm - Reel



Tel: +44 (0)1460 270200

Fax: +44 (0)1460 72578

Website: www.iqdfrequencyproducts.com

e-mail: info@iqdfrequencyproducts.com