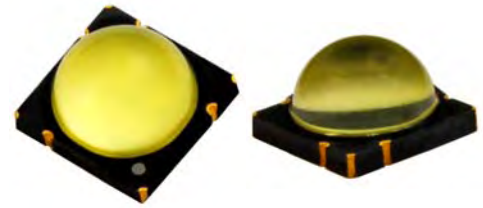


High Luminous Efficacy  
Neutral White LED Emitter  
**LZ4-00NW10**



### Key Features

- High Luminous Efficacy 10W Neutral White LED
- Ultra-small foot print – 7.0mm x 7.0mm x 4.3mm
- Surface mount ceramic package with integrated glass lens
- Very low Thermal Resistance (2.7°C/W)
- Individually addressable die
- Very high Luminous Flux density
- Spatial color uniformity across radiation pattern
- New industry standard for Lumen Maintenance (>90% at 100,000 Hours)
- JEDEC Level 2 for Moisture Sensitivity Level
- Autoclave complaint (JEDEC JESD22-A102-C)
- Lead (Pb) free and RoHS compliant
- Reflow solderable (up to 6 cycles)
- Emitter available on [Standard](#) or Serially [Connected](#) MCPCB (optional)

### Typical Applications

- General Lighting
- Museum Lighting
- Retail & Display Lighting
- Hospitality Lighting
- Accent & Task Lighting
- Architectural Detail Lighting

### Description

The LZ4-00NW10 Neutral White LED emitter provides 10W power in an extremely small package. With a 7.0mm x 7.0mm x 4.3mm ultra-small footprint, this package provides exceptional luminous flux density. LedEngin's patent-pending thermally insulated phosphor layers provide spatial color uniformity across the radiation pattern and a consistent CCT over time and temperature. LedEngin's LZ4-00NW10 LED offers ultimate design flexibility with individually addressable die. The high quality materials used in the package are chosen to optimize light output and minimize stresses which results in monumental reliability and lumen maintenance. The robust product design thrives in outdoor applications with high ambient temperatures and high humidity.

## Table of Contents

Product Nomenclature . . . . .	3
Luminous Flux Binning. . . . .	3
Forward Voltage Binning . . . . .	3
Neutral White Chromaticity Binning . . . . .	4
IPC/JEDEC Moisture Sensitivity . . . . .	5
Average Lumen Maintenance Projections . . . . .	5
Typical Radiation Pattern . . . . .	5
Absolute Maximum Ratings . . . . .	6
Optical Characteristics . . . . .	6
Electrical Characteristics . . . . .	6
Mechanical Dimensions . . . . .	7
Pin-Out . . . . .	7
Recommended Solder Pad Layout . . . . .	7
Reflow Soldering Profile . . . . .	8
Typical Relative Spectral Power Distribution . . . . .	8
Typical Relative Light Output . . . . .	9
Typical Relative Light Output over Temperature . . . . .	9
Typical Forward Current Characteristics . . . . .	10
Current Derating Curves . . . . .	10
Emitter Tape & Reel Specifications . . . . .	11
Company Information . . . . .	12

## Product Nomenclature

The LZ Series part number designation is defined as follows:



Where:

- A – designates the number of LED die in the package (“4” for 10W)
- B – designates the package level (“0” for Emitter)
- C – designates the radiation pattern (“0” for Lambertian)
- D and E – designate the color (“NW” for Neutral White: 3700 K < CCT < 4750 K)
- F and G – designate the Power (“10” for 10W typical rating)
- H – designates the Luminous Flux bin (See Table 1)
- J and K – designate the CCT bin groups (see Figure 1 and Table 3)
- L – designates the  $V_F$  bin (See Table 2)

## Luminous Flux Bins

Table 1:

Bin Code	Minimum Luminous Flux ( $\Phi_V$ ) @ $I_F = 700\text{mA}^{[1,2]}$ (lm)	Maximum Luminous Flux ( $\Phi_V$ ) @ $I_F = 700\text{mA}^{[1,2]}$ (lm)	Typical Luminous Flux ( $\Phi_V$ ) @ $I_F = 1000\text{mA}^{[2]}$ (lm)
S	356	445	550
T	445	556	650
U	556	695	810

Notes for Table 1:

1. Luminous flux performance guaranteed within published operating conditions. LedEngin maintains a tolerance of  $\pm 10\%$  on flux measurements.
2. Future products will have even higher levels of luminous flux performance. Contact LedEngin Sales for updated information.

## Forward Voltage Bins

Table 2:

Bin Code	Minimum Forward Voltage ( $V_F$ ) @ $I_F = 700\text{mA}^{[1,2]}$ (V)	Maximum Forward Voltage ( $V_F$ ) @ $I_F = 700\text{mA}^{[1,2]}$ (V)
F	12.80	13.76
G	13.76	14.72
H	14.72	15.68
J	15.68	16.64

Notes for Table 2:

1. Forward Voltage is binned with all four LED dice connected in series.
2. LedEngin maintains a tolerance of  $\pm 0.16\text{V}$  for forward voltage measurements for the four LEDs.

## Neutral White Chromaticity Groups

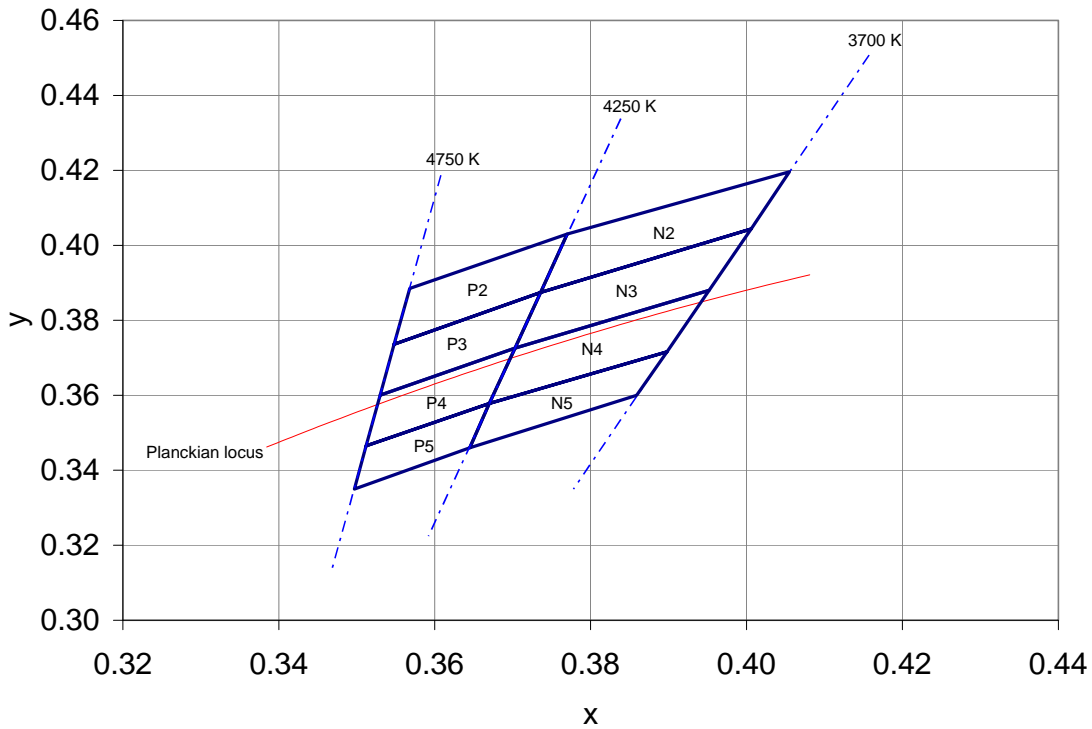


Figure 1: Standard Chromaticity Groups plotted on excerpt from the CIE 1931 (2°) x-y Chromaticity Diagram. Coordinates are listed below in Table 3.

## Neutral White Chromaticity Coordinates

Table 3:

Bin Code	x	y	Typical CCT (K)	Bin Code	x	y	Typical CCT (K)
P2	0.3568	0.3885	4500	N2	0.3770	0.4030	4000
	0.3770	0.4030			0.4055	0.4196	
	0.3736	0.3874			0.4006	0.4044	
	0.3548	0.3736			0.3736	0.3874	
P3	0.3548	0.3736	4500	N3	0.3736	0.3874	4000
	0.3736	0.3874			0.4006	0.4044	
	0.3703	0.3726			0.3952	0.3880	
	0.3530	0.3601			0.3703	0.3726	
P4	0.3530	0.3601	4500	N4	0.3703	0.3726	4000
	0.3703	0.3726			0.3952	0.3880	
	0.3670	0.3578			0.3898	0.3716	
	0.3512	0.3465			0.3670	0.3578	
P5	0.3512	0.3465	4500	N5	0.3670	0.3578	4000
	0.3670	0.3578			0.3898	0.3716	
	0.3645	0.3460			0.3859	0.3600	
	0.3497	0.3350			0.3645	0.3460	

## IPC/JEDEC Moisture Sensitivity Level

Table 4 - IPC/JEDEC J-STD-20 MSL Classification:

Level	Soak Requirements					
	Floor Life		Standard		Accelerated	
	Time	Conditions	Time (hrs)	Conditions	Time (hrs)	Conditions
2	1 Year	≤ 30°C/ 60% RH	168 +5/-0	85°C/ 60% RH	n/a	n/a

Notes for Table 4:

- The standard soak time is the sum of the default value of 24 hours for the semiconductor manufacturer's exposure time (MET) between bake and bag and the floor life of maximum time allowed out of the bag at the end user of distributor's facility.

## Average Lumen Maintenance Projections

Lumen maintenance generally describes the ability of a lamp to retain its output over time. The useful lifetime for solid state lighting devices (Power LEDs) is also defined as Lumen Maintenance, with the percentage of the original light output remaining at a defined time period.

Based on long-term WHTOL testing, LedEngin projects that the LZ Series will deliver, on average, 90% Lumen Maintenance at 100,000 hours of operation at a forward current of 700 mA per die. This projection is based on constant current operation with junction temperature maintained at or below 125°C.

## Typical Radiation Pattern

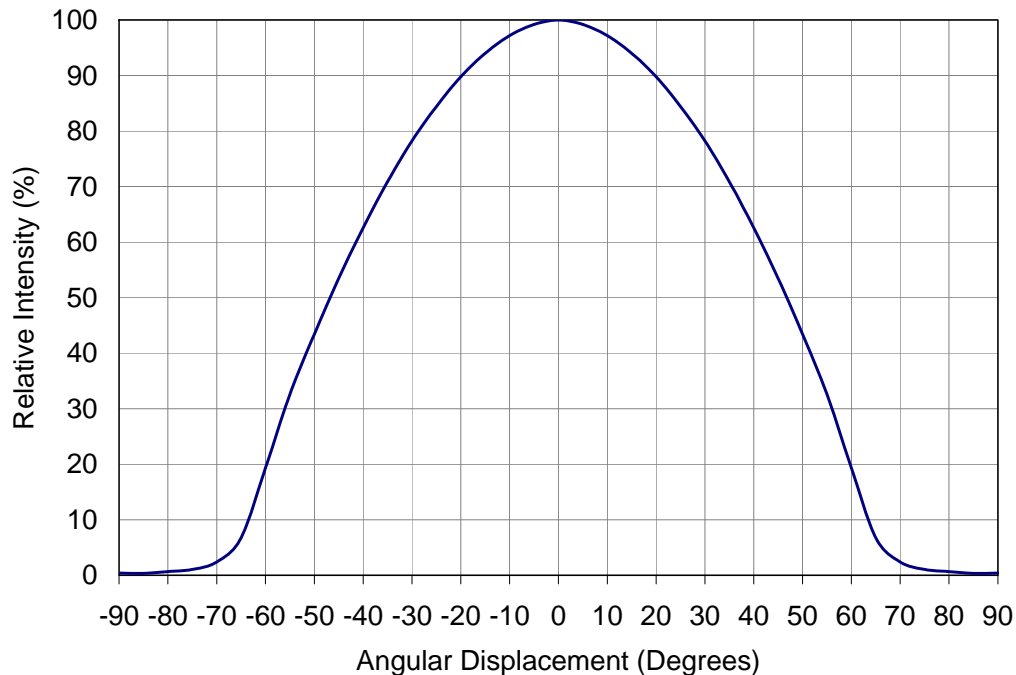


Figure 2: Typical representative spatial radiation pattern.

## Absolute Maximum Ratings

Table 5:

Parameter	Symbol	Value	Unit
DC Forward Current <sup>[1]</sup>	$I_F$	1000	mA
Peak Pulsed Forward Current <sup>[2]</sup>	$I_{FP}$	1500	mA
Reverse Voltage	$V_R$	See Note 3	V
Storage Temperature	$T_{stg}$	-40 ~ +150	°C
Junction Temperature	$T_J$	150	°C
Soldering Temperature <sup>[4]</sup>	$T_{sol}$	260	°C
Allowable Reflow Cycles		6	
Autoclave Conditions <sup>[5]</sup>		121°C at 2 ATM, 100% RH for 168 hours	
ESD Sensitivity <sup>[6]</sup>		> 8,000 V HBM Class 3B JESD22-A114-D	

Notes for Table 5:

- Maximum DC forward current (per die) is determined by the overall thermal resistance and ambient temperature. Follow the curves in Figure 10 for current derating.
- Pulse forward current conditions: Pulse Width  $\leq$  10msec and Duty Cycle  $\leq$  10%.
- LEDs are not designed to be reverse biased.
- Solder conditions per JEDEC 020D. See Reflow Soldering Profile Figure 5.
- Autoclave Conditions per JEDEC JESD22-A102-C.
- LedEngin recommends taking reasonable precautions towards possible ESD damages and handling the LZ4-00NW10 in an electrostatic protected area (EPA). An EPA may be adequately protected by ESD controls as outlined in ANSI/ESD S6.1.

## Optical Characteristics @ $T_C = 25^\circ\text{C}$

Table 6:

Parameter	Symbol	Typical	Unit
Luminous Flux (@ $I_F = 700\text{mA}$ ) <sup>[1]</sup>	$\Phi_V$	440	lm
Luminous Flux (@ $I_F = 1000\text{mA}$ ) <sup>[1]</sup>	$\Phi_V$	570	lm
Correlated Color Temperature <sup>[2]</sup>	CCT	4100	K
Chromaticity Coordinates	x,y	0.376, 0.374	
Viewing Angle <sup>[3]</sup>	$2\Theta_{1/2}$	95	Degrees
Total Included Angle <sup>[4]</sup>	$\Theta_{0.9V}$	125	Degrees

Notes for Table 6:

- Luminous flux typical value is for all four LED dice operating concurrently at rated current.
- Typical Color Rendering Index (CRI) is 80.
- Viewing Angle is the off axis angle from emitter centerline where the luminous intensity is  $\frac{1}{2}$  of the peak value.
- Total Included Angle is the total angle that includes 90% of the total luminous flux.

## Electrical Characteristics @ $T_C = 25^\circ\text{C}$

Table 7:

Parameter	Symbol	Typical	Unit
Forward Voltage (@ $I_F = 700\text{mA}$ ) <sup>[1]</sup>	$V_F$	14.0	V
Forward Voltage (@ $I_F = 1000\text{mA}$ ) <sup>[1]</sup>	$V_F$	14.6	V
Temperature Coefficient of Forward Voltage <sup>[1]</sup>	$\Delta V_F / \Delta T_J$	-11.9	mV/°C
Thermal Resistance (Junction to Case)	$R\Theta_{J-C}$	2.7	°C/W

Notes for Table 7:

- Forward Voltage typical value is for all four LED dice connected in series.

## Mechanical Dimensions (mm)

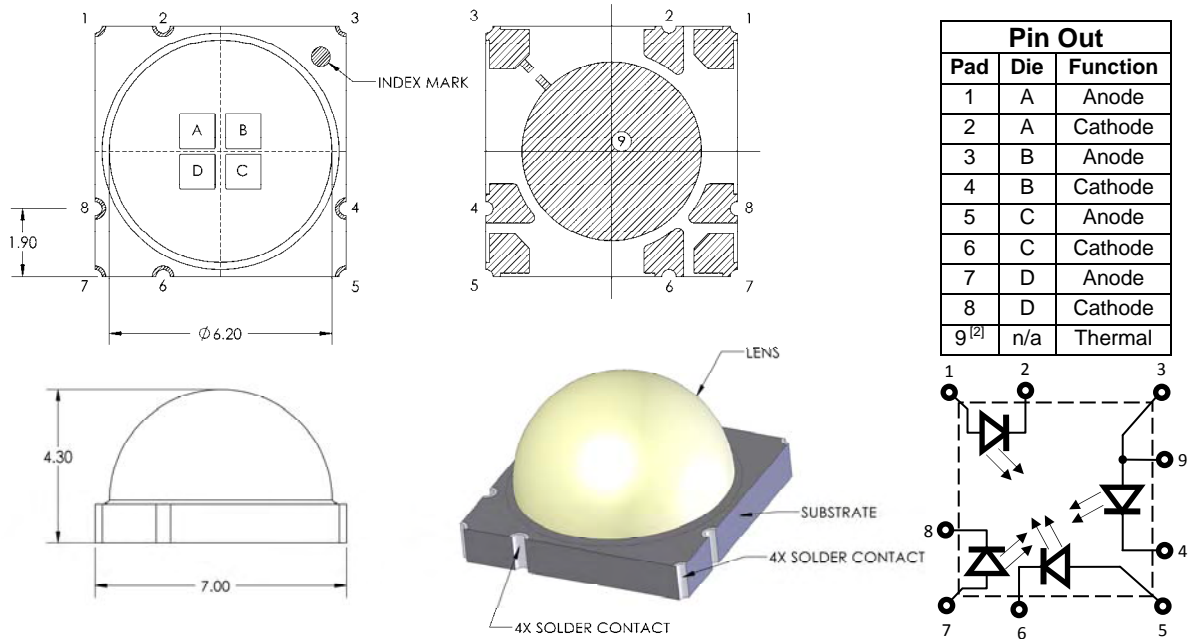


Figure 1: Package outline drawing.

Notes for Figure 1:

1. Unless otherwise noted, the tolerance =  $\pm 0.20$  mm.
2. Thermal contact, Pad 9, is electrically connected to Pad 3. Do not electrically connect any electrical pads to the thermal contact, Pad 9. LedEngin recommends mounting the LZ4-00NW10 to a MCPCB that provides insulation between all electrical pads and the thermal contact, Pad 9. LedEngin offers [LZ4-20NW10](#) and [LZ4-40NW10](#) MCPCB options which provide for electrical insulation between all contact pads. Please refer to Application Note MCPCB Option 2 and Option 4, or contact a LedEngin sales representative for more information.

## Recommended Solder Pad Layout (mm)

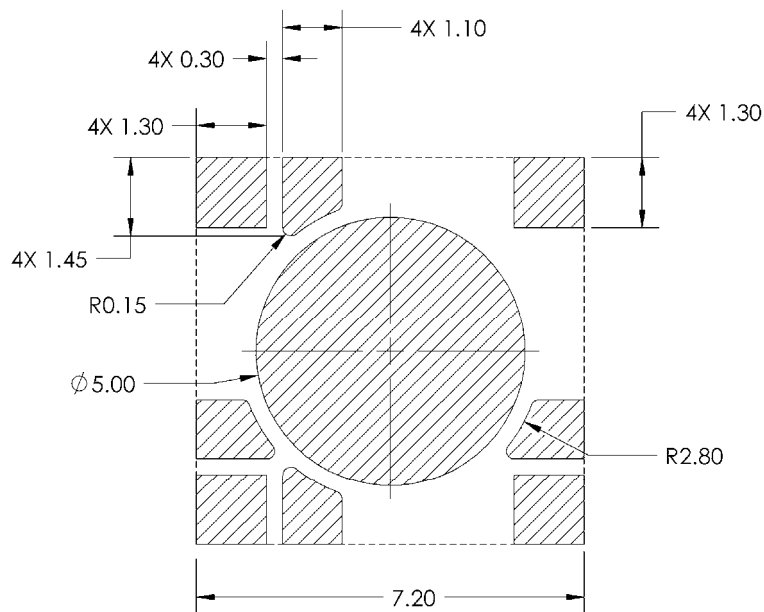


Figure 2: Recommended solder mask opening (hatched area) for anode, cathode, and thermal pad.

Note for Figure 2:

1. Unless otherwise noted, the tolerance =  $\pm 0.20$  mm.

## Reflow Soldering Profile

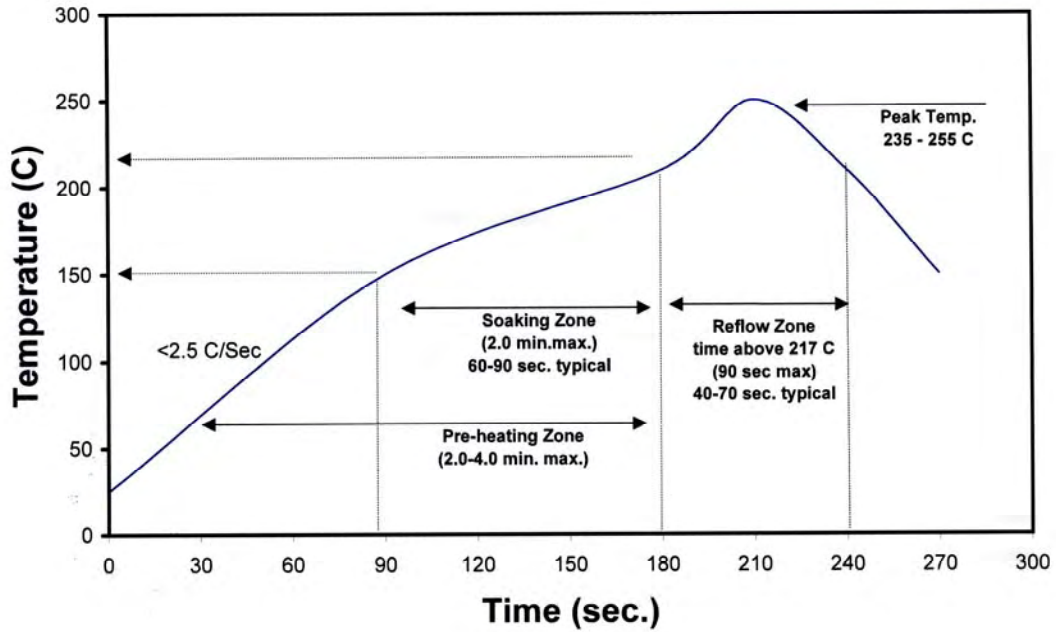


Figure 5: Reflow soldering profile for lead free soldering.

## Typical Relative Spectral Power Distribution

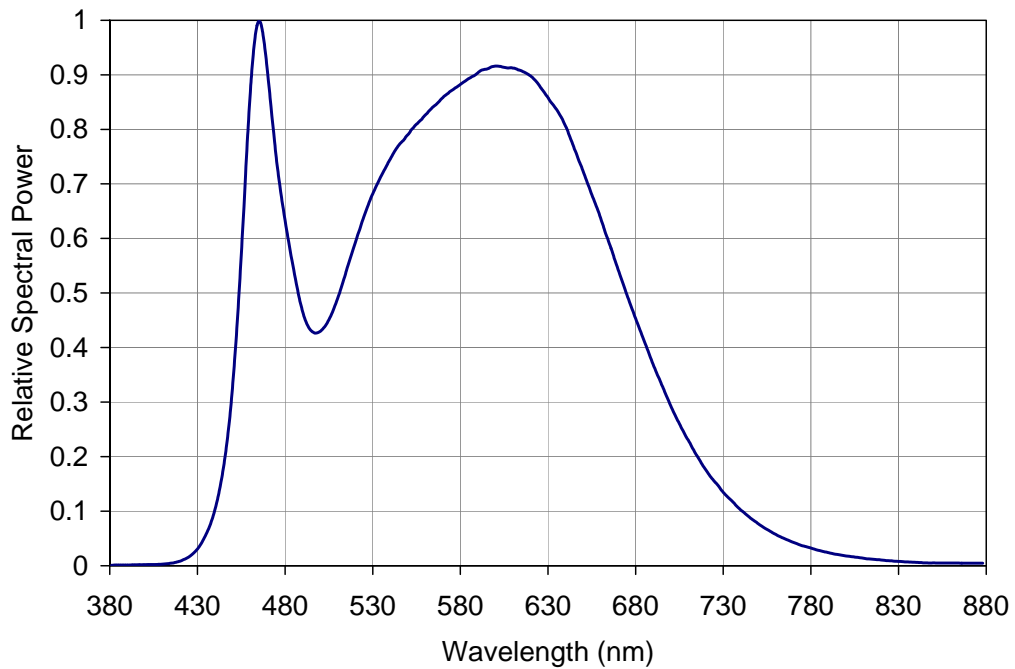


Figure 6: Typical relative spectral power vs. wavelength @  $T_c = 25^\circ\text{C}$ .



## Typical Relative Light Output

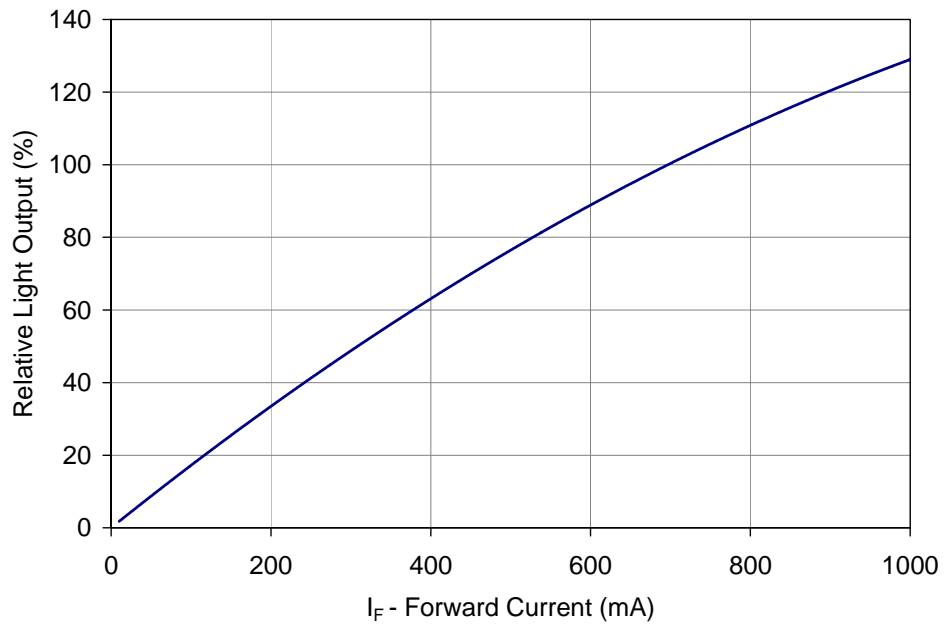


Figure 7: Typical relative light output vs. forward current @  $T_c = 25^\circ\text{C}$ .

## Typical Relative Light Output over Temperature

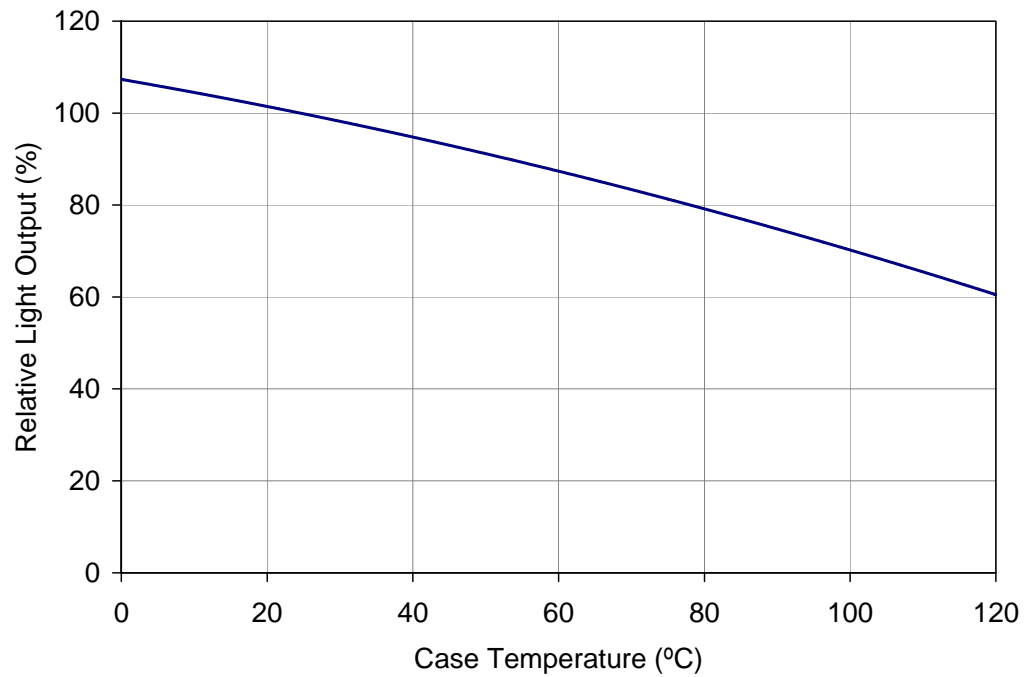


Figure 8: Typical relative light output vs. case temperature.

## Typical Forward Current Characteristics

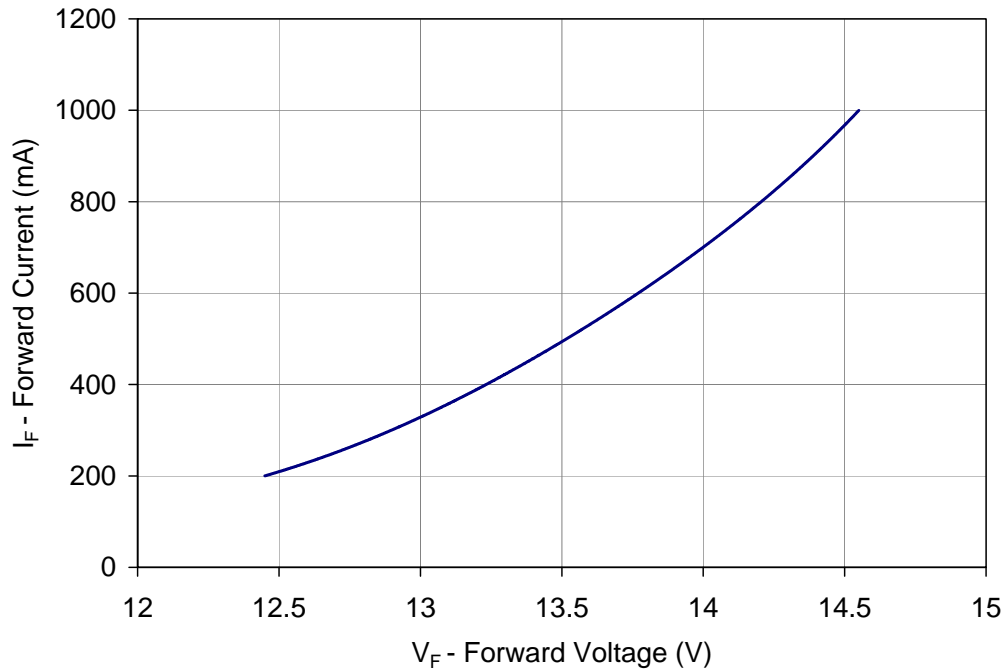


Figure 9: Typical forward current vs. forward voltage @  $T_C = 25^\circ\text{C}$ .

Note for Figure 9:

1. Forward Voltage curve assumes that all four LED dice are connected in series.

## Current Derating

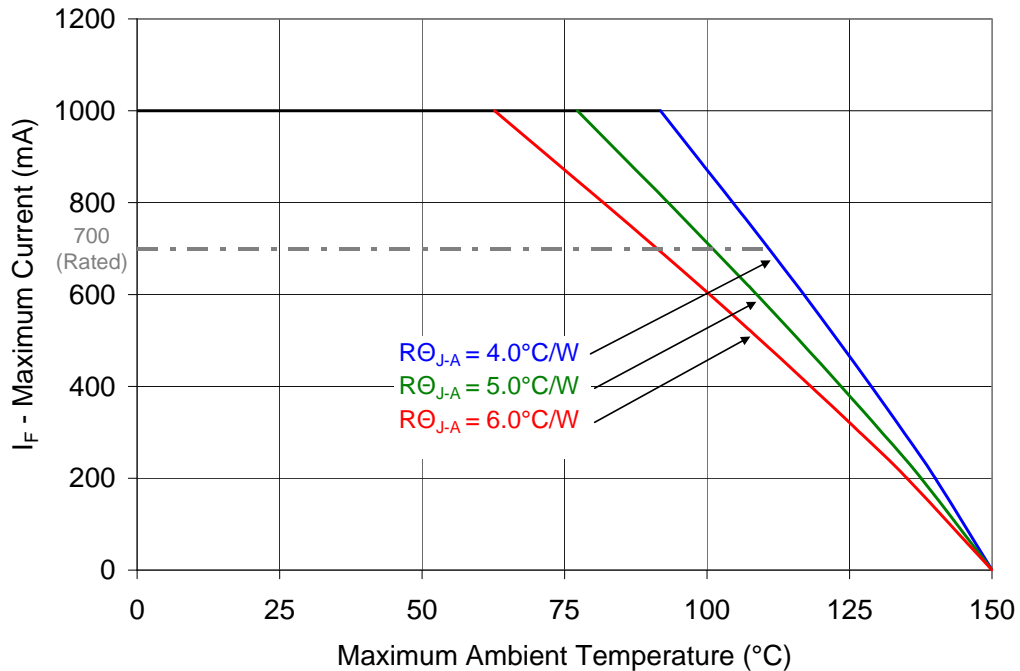


Figure 10: Maximum forward current vs. ambient temperature based on  $T_{J(\text{MAX})} = 150^\circ\text{C}$ .

Notes for Figure 10:

1. Maximum current assumes that all four LED dice are operating concurrently at the same current.
2.  $R_{\theta J-C}$  [Junction to Case Thermal Resistance] for the LZ4-00NW10 is typically  $2.7^\circ\text{C/W}$ .
3.  $R_{\theta J-A}$  [Junction to Ambient Thermal Resistance] =  $R_{\theta J-C}$  +  $R_{\theta C-A}$  [Case to Ambient Thermal Resistance].

## Emitter Tape and Reel Specifications (mm)

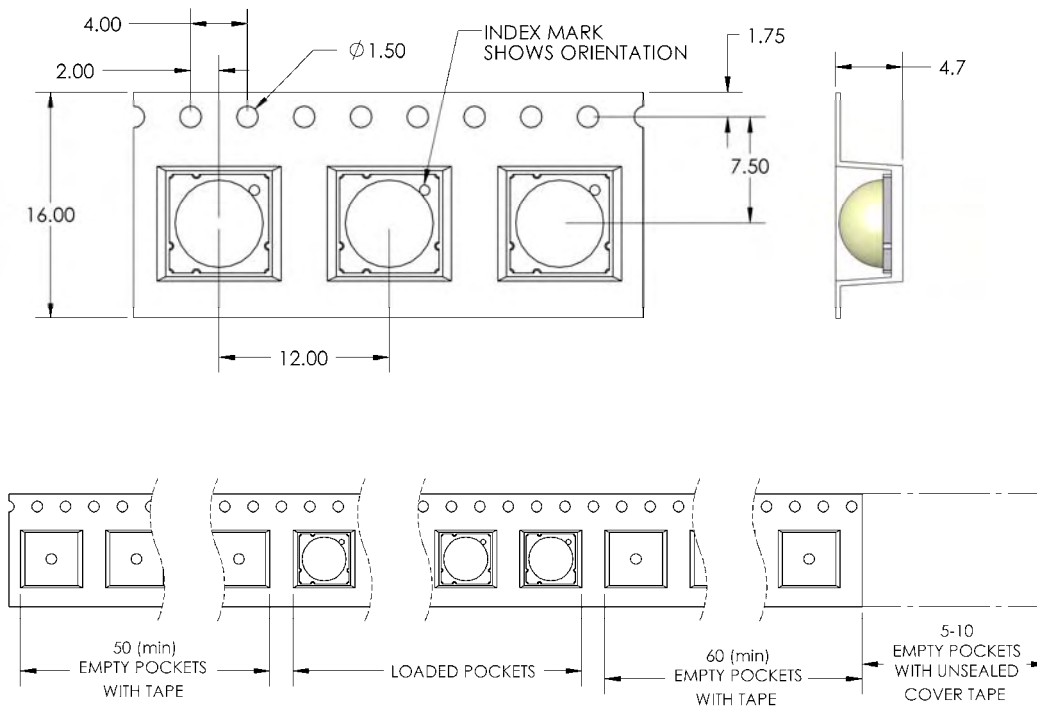


Figure 11: Emitter carrier tape specifications (mm).

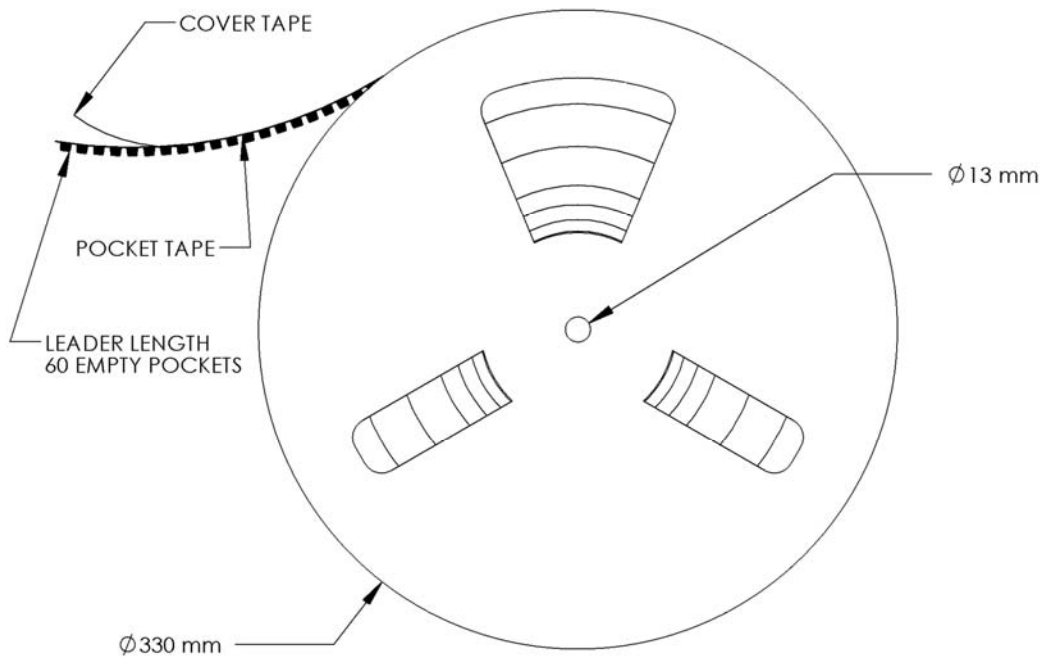


Figure 12: Emitter Reel specifications (mm).

## Company Information

The LZ4-00NW10 LED emitter is developed, manufactured and marketed by LedEngin, Inc., located in Santa Clara, CA. LedEngin is a global market leader in advanced high-power LED emitters and light-source modules. LedEngin provides total solutions from 3W to 15W in single packages with ultra-small footprints in all colors from Cool White, Neutral White, Warm White, Red, Green, Blue, Amber, RGB, RGBA, Deep Red, Dental Blue, and UV. LedEngin supports customers to generate solid-state lighting designs that conserve natural resources. LedEngin is focused on differentiated Ultra High-Brightness LED solutions for diverse global markets using its patent-pending package designs and manufacturing processes. LedEngin offers catalog as well as full custom solutions to enable flexible system designs for its customers. LedEngin is dedicated to long-term win-win partnering with its customers and suppliers.

LedEngin reserves the right to make changes to improve performance without notice.

Please contact [Sales@ledengin.com](mailto:Sales@ledengin.com) or (408) 492-0620 for more information.