

# 968-717 to 968-730

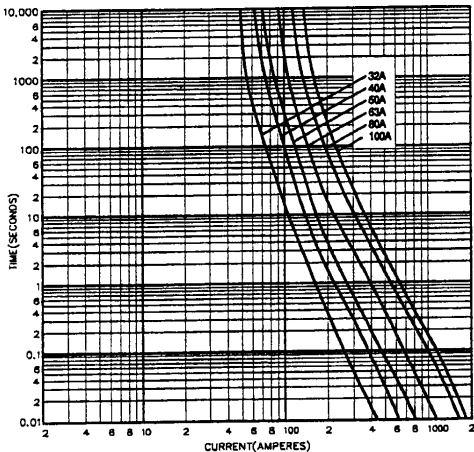
**Bussmann**

## BS88, IEC269 Industrial HRC Fuse Links Offset Bolted Tags 550V ac and Motor Rated 415V ac

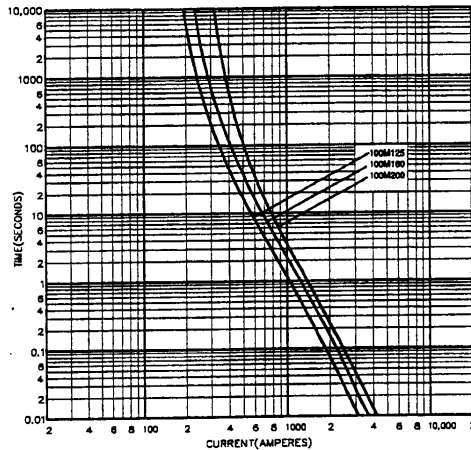
**CEO**

### Time-Current Characteristic Curves

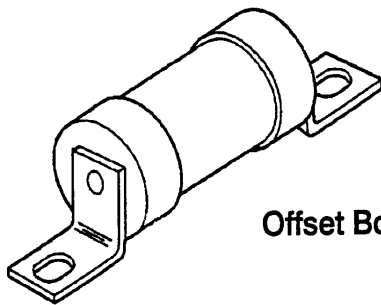
Non Motor Rated



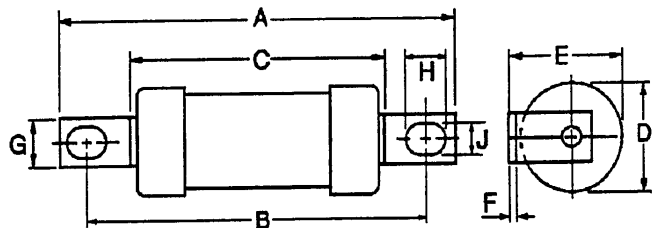
Motor Rated



### Dimensional Data



Offset Bolted Tag



Catalog' Number	I <sup>2</sup> t (Ampere <sup>2</sup> Seconds)			Nom. Watts Loss	Rated Voltage	Dimensions (Inches/mm)								
	Amp Ratings	Pre-Arcing	Total at 415V			A	B	C	D	E	F	G	H	J
CEO32	32	1000	2760	3.5	550 ac	4.37 110	3.70 94.0	2.30 58.5	0.83 21.0	0.96 24.5	0.13 3.20	0.56 14.3	0.44 11.0	0.34 8.70
CEO40	40	1400	3750	4.7										
CEO50	50	3000	8350	4.9										
CEO63	63	7000	18,800	5.6										
CEO80	80	13,000	35,200	7.2										
CEO100	100	25,000	76,500	8.5										
CEO100M125	100M125	57,000	150,000	6.5	415 ac									
CEO100M160	100M160	72,500	190,000	5										
CEO100M200	100M200	120,000	290,000	3.5										

Packaging - 10 per carton except CEO100M200 which is packed 5 per carton

This bulletin is intended to clearly present product data and provide technical information that will help the end user with design applications. If there is any information that you require that is not recorded on this Data Sheet, please call our Application Engineers at Bussmann UK. Bussmann reserves the right, without notice, to change design or construction of any products and to discontinue or limit distribution of any products. Bussmann also reserves the right to change or update, without notice, any technical information contained in this bulletin. Once a product has been selected, it should be tested by the user in all possible applications.



Bussmann Division  
Cooper (U.K.) Ltd  
Burton-on-the-Wolds  
Leicestershire, LE12 5TH  
United Kingdom

Head Office  
St. Louis, MO, U.S.A. Tel: (314) 527-3877 Fax: (800) 544-2570 International Fax: (314) 527-1445



Bussmann Information Fax (00 1) 314 527 1450