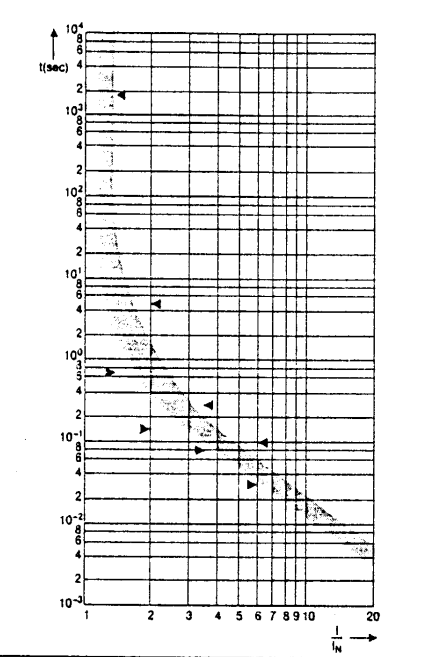


975-369 to 450

Minifuse

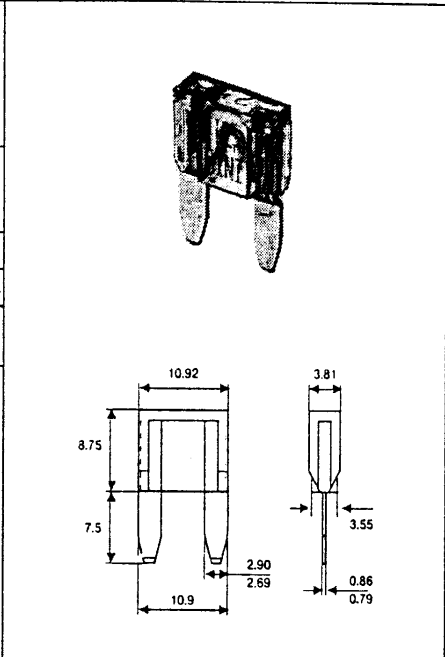
ATO-type Blade fuses Miniature Series 297	ATO-Typ Flachsteck- sicherungen Miniatur Serie 297	Type ATO fusibles enfichables Miniature Série 297
---	--	---

Fast acting (F)	Flink (F)	Rapide (F)
-----------------	-----------	------------



Limits for pre-arcing time
Grenzwerte der Schmelzzeit
Temps de fusion limité

I_N	$1.1 I_N$		$1.35 I_N$		$2.0 I_N$		$3.5 I_N$		$6.0 I_N$	
	Min.	Max.	Min.	Max.	Min.	Max.	Min.	Max.	Min.	Max.
2-30 A	100 h	750 ms	1800 s	150 ms	5 s	80 ms	300 ms	30 ms	100 ms	



Approvals: page 14-15	Approbationen: Seite 14-15	Homologations: page 14-15
-----------------------	----------------------------	---------------------------

Standards: SAE J 2077	Normen: SAE J 2077	Normes: SAE J 2077
---------------------------------	------------------------------	------------------------------

Packaging: ● 3000 ● 50	Verpackung: ● 3000 ● 50	Emballage: ● 3000 ● 50
-------------------------------------	--------------------------------------	-------------------------------------

Part no. Bestellnr. Références	Rated Current Nennstrom Intensité Nom. } I_N [A]	Rated Voltage Nennspannung Tension Nom. } [V]	Coldresistance Kaltwiderstand Res. à froid } max. [Ω]	Colour Farbe Couleur			Voltage drop Spannungsabfall Chute de tension } max. [mV]		Breaking Capacity Schaltvermögen Pouvoir de coupure	i ² t Value i ² t Wert i ² t Valeur } max. [A ² s]	
							standard	Littelfuse		1.000 A @ 32 V DC	
297002.	2	32	6.9×10^{-2}	Grey	Grau	Gris	225	225		4.0×10^0	
297003.	3	32	4.2×10^{-2}	Violet	Violett	Violet	175	175		1.3×10^1	
297004.	4	32	2.9×10^{-2}	Pink	Rosa	Rose	175	175		2.5×10^1	
297005.	5	32	2.2×10^{-2}	Tan	Beige	Beige	175	175		3.6×10^1	
29707.5	7.5	32	1.4×10^{-2}	Brown	Braun	Brun	150	150		9.3×10^1	
297010.	10	32	1.0×10^{-2}	Red	Rot	Rouge	125	125		1.3×10^2	
297015.	15	32	6.2×10^{-3}	Blue	Blau	Bleu	125	125		3.9×10^2	
297020.	20	32	4.2×10^{-3}	Yellow	Gelb	Jaune	125	125		5.5×10^2	
297025.	25	32	3.2×10^{-3}	Natural	Naturel	Naturel	100	100		8.9×10^2	
297030.	30	32	2.5×10^{-3}	Green	Grün	Vert	100	100		1.6×10^3	