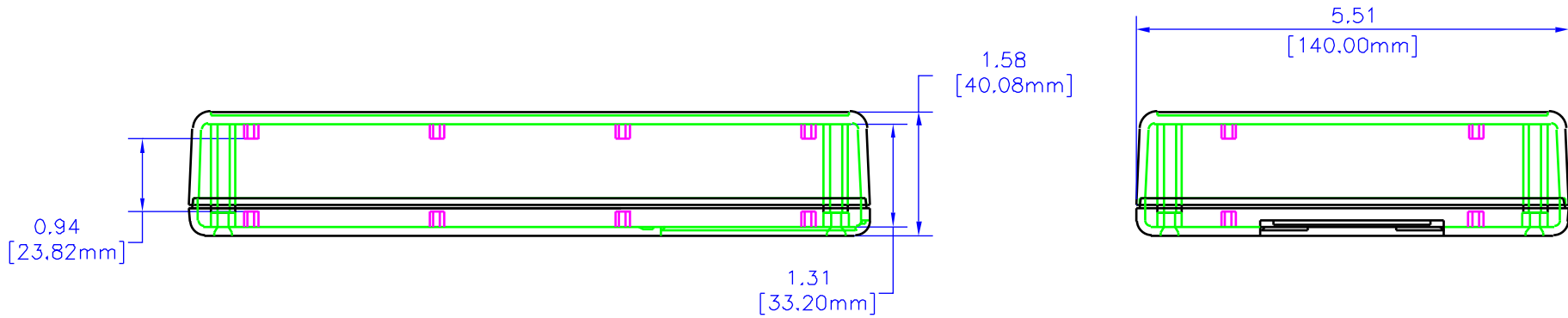
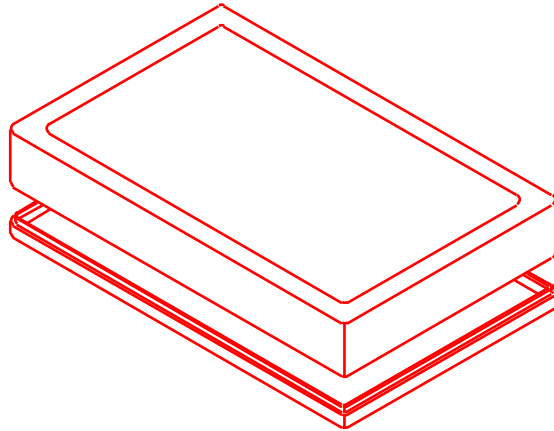


REV	DESCRIPTION	DATE
A	REVISED SIDE HOLE LOCATIONS; ADDED MATERIAL DEPTH DETAIL.	08/14/01



ASSEMBLED

## NOTES

- MATERIAL** (ABS) FLAME RETARDANT UL94 V0 MATERIAL WITH BRASS INSERTS IN CORNER POSTS.  
(STYRENE) IS NON-FLAME RETARDANT WITHOUT BRASS INSERTS.
- PARTS** (ABS) VERSION MACHINE SCREWS M3-0.5 x 10mm, REPLACEMENT PN 1591MS100 (100 / BAG), (STYRENE) VERSION SELF TAPPING #4 x 0.5", REPLACEMENT PN 1591TS100 (100 / BAG).
- COLORS** (ABS) BLACK, & GRAY, (STYRENE) GRAY ONLY.

UNLESS OTHERWISE SPECIFIED  
DIMENSIONS ARE IN INCHES

F	+/- .1
XX	+/- .02
XXX	+/- .015
DITS	+/- .005
ANGLES	+/- .5 DEG

**NOTES:**  
HAMMOND CLEARS PROPRIETARY RIGHTS TO THE MATERIAL ON THIS DRAWING. IT IS INTENDED TO BE USED AS A REFERENCE FOR ENGINEERING INFORMATION ONLY. THIS INFORMATION MAY NOT BE USED TO MANUFACTURE PRODUCT WITHOUT WRITTEN PERMISSION FROM HAMMOND MANUFACTURING.

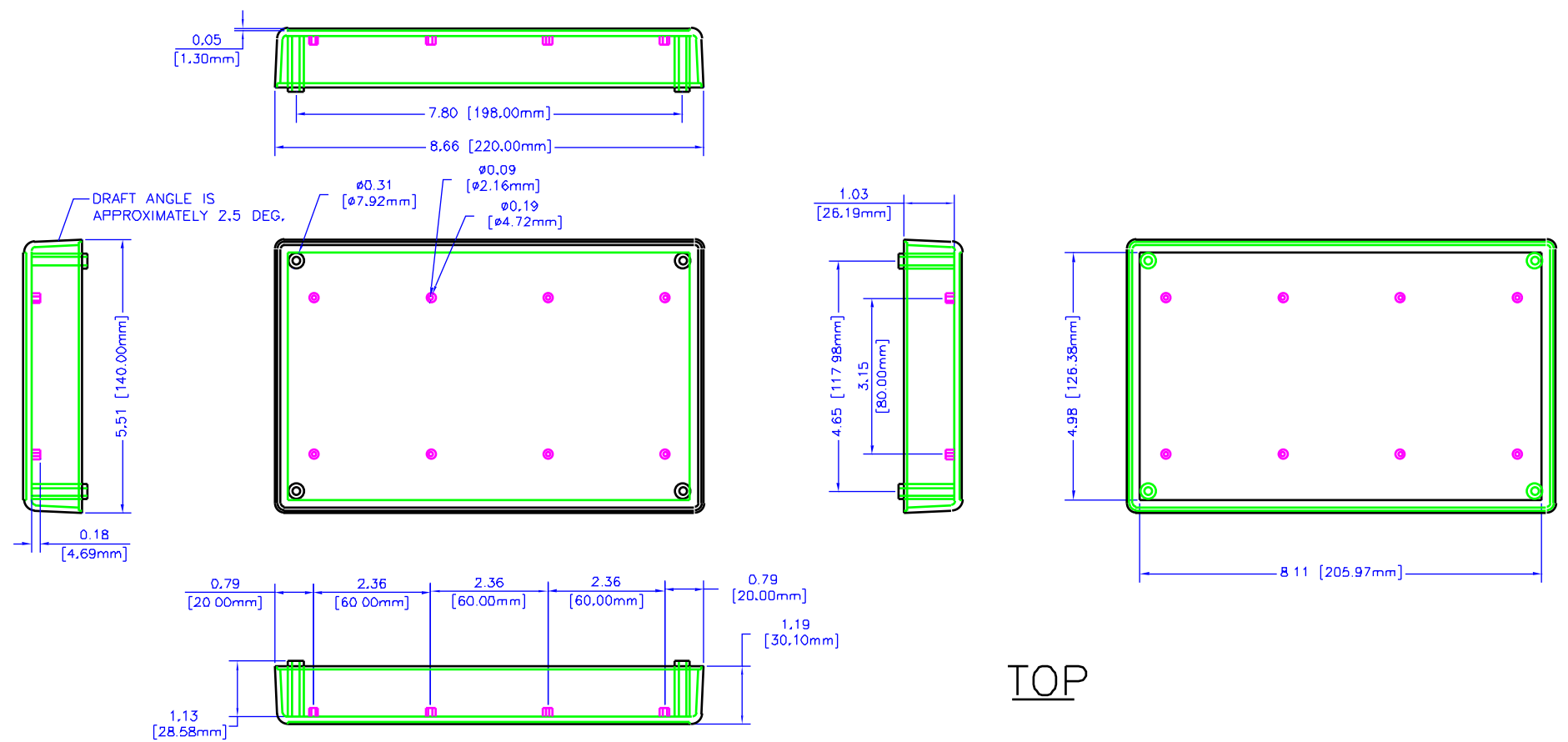


**HAMMOND  
MANUFACTURING**

WEB: [WWW.HAMMONDMFG.COM](http://WWW.HAMMONDMFG.COM)

TITLE		HAMMOND 1599 SERIES PLASTIC ENCLOSURE	
DRAWN BY	MJM	DATE	07/06/01
SCALE		PAGE	1 OF 3
PART NUMBER	1599KBAT		

# NOTES



TOP

UNLESS OTHERWISE SPECIFIED DIMENSIONS ARE IN INCHES

X	+/- .1
XX	+/- .02
XXX	+/- .015
CUTS	+/- .005
ANGLES	+/- .5 DEG.

**TOLERANCES:**

HAMMOND CLAIMS PROPRIETARY RIGHTS TO THE MATERIAL ON THIS DRAWING. IT IS INTENDED TO BE USED AS A REFERENCE FOR ENGINEERING INFORMATION ONLY. THIS INFORMATION MAY NOT BE USED TO REPRODUCE OR MANUFACTURE PRODUCTS WITHOUT PERMISSION FROM HAMMOND MANUFACTURING.



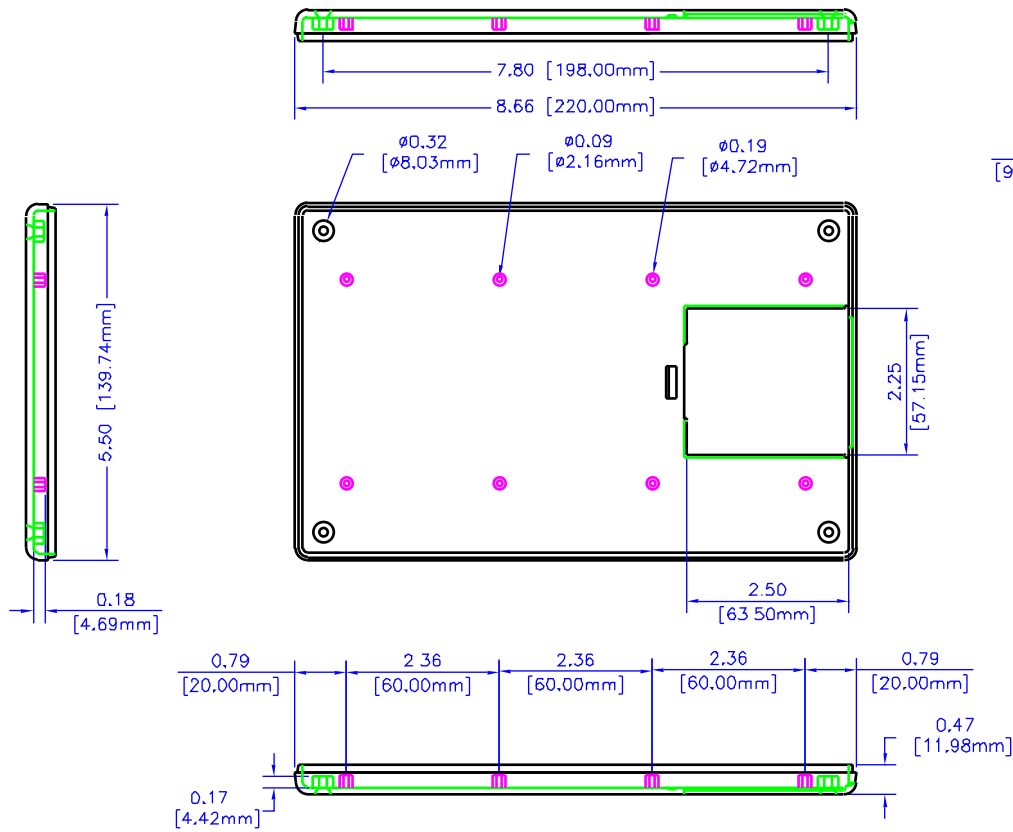
**HAMMOND MANUFACTURING**

WEB: [WWW.HAMMONDMFG.COM](http://WWW.HAMMONDMFG.COM)

TITLE		HAMMOND 1599 SERIES PLASTIC ENCLOSURE	
DRAWN BY	MJM	DATE	07/06/01
SCALE		PAGE	2 OF 3
PART NUMBER		1599KBAT	

# NOTES

BATTERY LID IS REMOVED  
IN ALL VIEWS



BOTTOM

UNLESS OTHERWISE SPECIFIED  
DIMENSIONS ARE IN INCHES  
X +/- .1  
XX +/- .02  
XXX +/- .015  
CUTS +/- .005  
ANGLES +/- 5 DEG  
SCALE



**HAMMOND  
MANUFACTURING**

WEB: [WWW.HAMMONDMFG.COM](http://WWW.HAMMONDMFG.COM)

TITLE  
HAMMOND 1599 SERIES  
PLASTIC ENCLOSURE

DRAWN BY MJM DATE 07/06/01

SCALE PAGE 3 OF 3

PART NUMBER

1599KBAT