
Fabricated Thermowells

Here are a range of Fabricated 316SS Thermowells.

Diameters to suit either 3mm or 6mm probes/sensors and have various immersion lengths. Process connection is 1/2" BSP(P) and Top Connection is 1/8" BSP(P).

Immersion Lengths Available Are : 150mm

- Manufactured From 316SS
- Fabricated Construction
- Suitable For Either 3mm or 6mm Dia Probes/Sensors
- Various Immersion Lengths Available
- Process Connection 1/2" BSP(P)

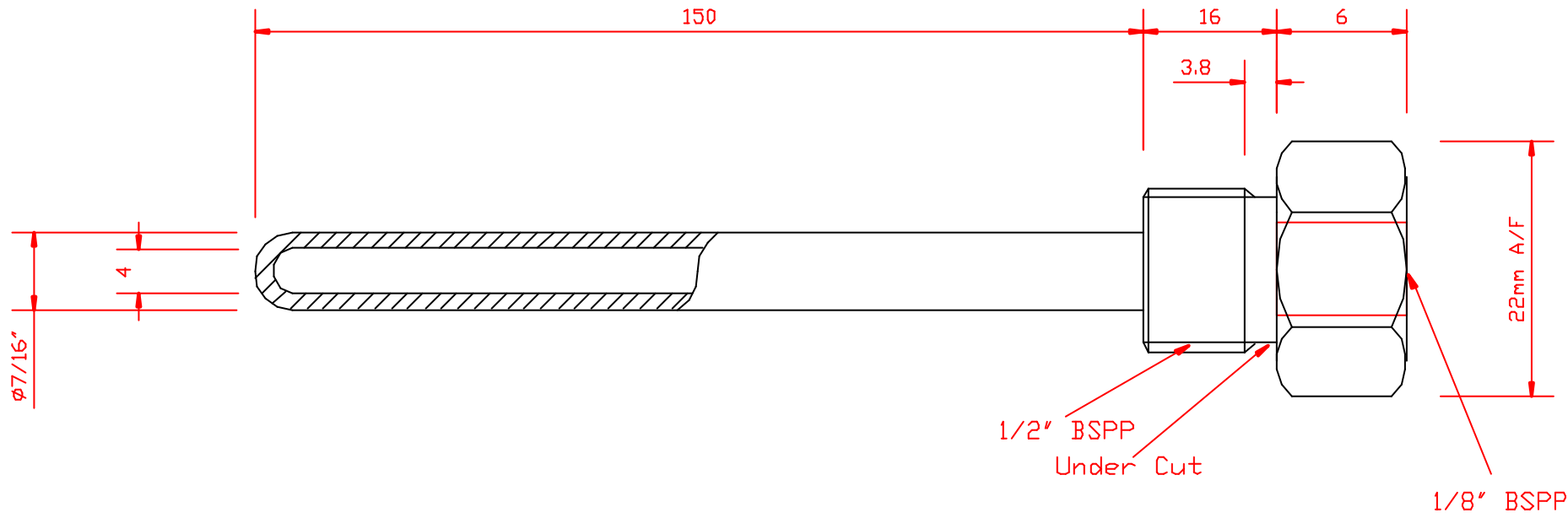


Global Part No.	Description
91-9348-62	Pocket 1000PSI 3x150mm
91-9351-62	Pocket 1000PSI 6x150mm

ALL DIMENSIONS METRIC

THIRD ANGLE PROJECTION

DO NOT SCALE



ISSUE	MODIFICATION	DRAWN	APP	DATE	SHEET 1 OF 1 SHEETS.	THIS DRAWING REMAINS THE PROPERTY OF GLOBAL LIMITED AND MAY NOT BE REPRODUCED WITHOUT OUR PERMISSION.	REPRODUCED WITHOUT OUR PERMISSION.				
							DRAWN	CHECKED	DATE		
1	For Reference Only	S.A.	S.A.	10/01/05	MATERIAL	TOLERANCE	TITLE	DRAWN	CHECKED	DATE	GLOBAL MEASUREMENT AND CONTROL LTD. UNIT 17, FORD LANE BUSINESS PARK FORD LANE, NR ARUNDEL WEST SUSSEX BN18 0JZ TELEPHONE: 01243 555277 FAX: 01243 555177
2						X ± 0.50 X.X ± 0.25 X.XX ± 0.10	Fabricated Thermopocket	S.A.		10.01.05	
3					FINISH		PART NUMBER	DRAWING NUMBER			
4					CLEAN & BURR FREE	SCALE	N.T.S.	91-934B-62	XX-XXXX-XX		