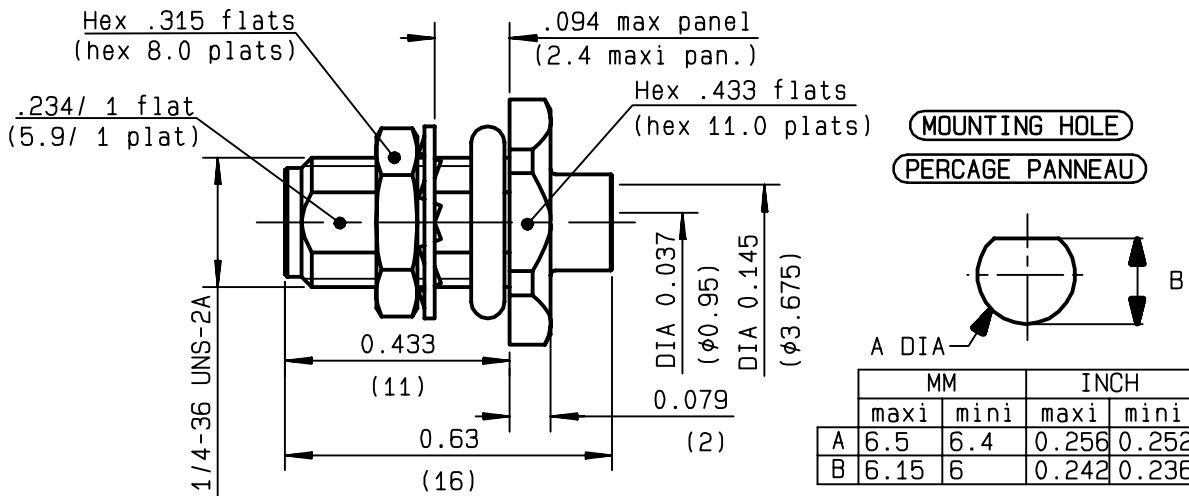


**STRAIGHT BULKHEAD JACK PANEL SEAL**  
**SOLDER TYPE - CABLE .141**

**R125.325.000**  
**SERIES SMA**



	MM		INCH	
	maxi	mini	maxi	mini
A	6.5	6.4	0.256	0.252
B	6.15	6	0.242	0.236

NOMINAL IMPEDANCE	<b>50</b> Ω
FREQUENCY RANGE	<b>0-18</b> GHz
TEMPERATURE RATING	<b>-65/+105</b> °C
V.S.W.R	<b>1.05</b> + <b>.008</b> x F(GHz)Maxi
RF INSERTION LOSS	<b>0.03</b> √F(GHz) dB Maxi
VOLTAGE RATING	<b>500</b> Veff Maxi
DIELECTRIC WITHSTANDING VOLTAGE	<b>1000</b> Veff Mini
INSULATION RESISTANCE	<b>5000</b> MΩMini
HERMETIC SEAL	<b>NA</b> Atm.cm <sup>3</sup> /s
LEAKAGE (pressurized only)	<b>NA</b>
MECHANICAL DURABILITY	<b>500</b> Cycles
WEIGHT	gr
SPECIFICATION	

CABLES : **KS 2**  
**RG 402**

OTHERS CHARACTERISTICS

CABLE RETENTION	<b>270</b>	N Mini
CENTER CONTACT RETENTION		
Axial force - mating end	<b>NA</b>	N Mini
Axial force - opposite end	<b>NA</b>	N Mini
Torque	<b>NA</b>	cm.N Mini
RECOMMENDED TORQUES		
Mating	<b>100</b>	cm.N
Panel nut	<b>150</b>	cm.N
Clamp nut	<b>NA</b>	cm.N

CONNECTOR PARTS	MATERIALS	FINISH	(all values are given ) in micrometers
BODY	STAINLESS STEEL	GOLD 0.5 OVER NICKEL 2	
OUTER CONTACT			
CENTER CONTACT	BERYLLIUM COPPER	GOLD 1.3 OVER NICKEL 2	
INSULATOR	PTFE	-	
GASKET	SILICONE RUBBER	-	
OTHERS PIECES	BRASS	GOLD 0.2 OVER NICKEL 2	

GUILLOMIN

ISSUE  
**9901H00**

CREATION DATE  
**06/04/1988**

FILE PART-NUMBER



**RADIALL**®

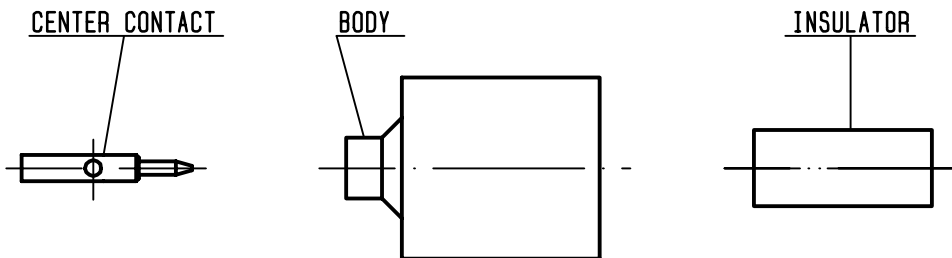
The information given here is subject to change without notice.  
Design changes may be in order to improve the product .

*Connect to the future*



**R125.325.000**

ISSUE **9901H00** SERIES **SMA**



①

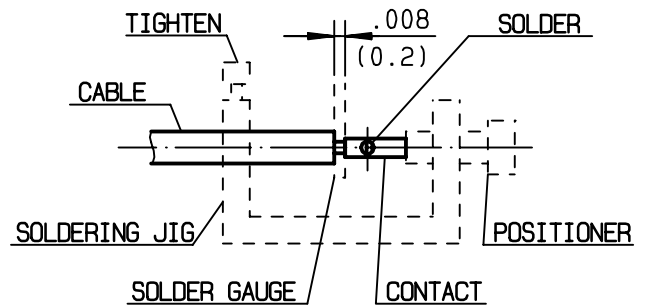
Strip the dielectric of the cable with stripping tool R 282 053 000.  
 Trimmer : R 282 067 000  
 Clean the cable.



Stripping	a	b	c	d	e
inch	0.125	0	0	0	0
mm	3.17				

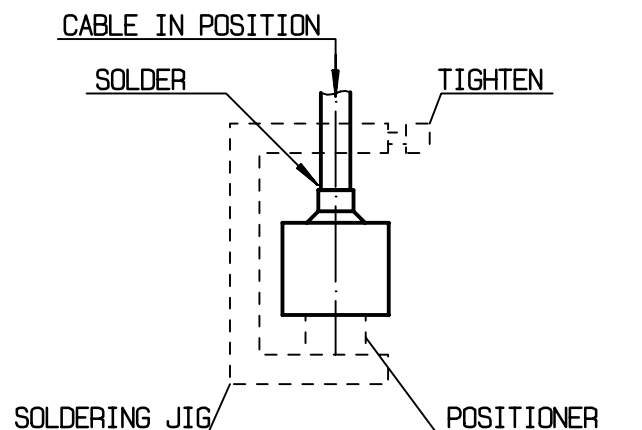
②

Screw the positioner R 282 744 220 onto the soldering jig R 282 740 000.  
 Slide contact into positioner.  
 Insert solder gauge R 282 862 060 (62) between contact and cable.  
 Tighten and solder the contact .



③

After cooling remove cable assembly from the jig.  
 Screw positioner R 282 744 011 (86) into the connector.  
 Slide cable into the connector until it bottoms against positioner then tighten.  
 Put 3 rings of solder around the cable and solder.



④

After cooling remove cable assembly from the jig.  
 Cut the dielectric with dielectric recess gauge R 282 914 010 + R 282 915 010.  
 Screw female dielectric insert tool onto connector and insert insulator with the dielectric plunger R 282 730 043.

