



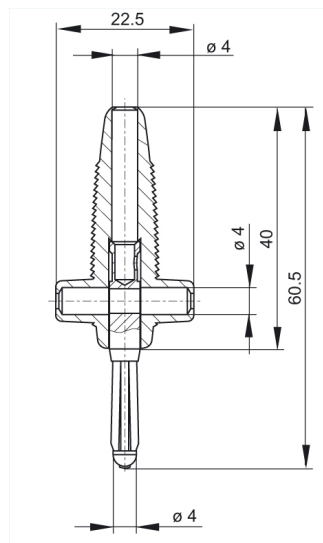
BUELA 300 K rot/red

Industrial Connectors:Measuring and Testing Equipment:Plugs:4 mm system

Product description

Description	Multiple-spring wire plug, shatter-proof, flexible insulated sleeve with transverse hole. Lateral supports provide protection against contact when plugged in at right angles. The tapering sleeve end also serves as kinking protection for the lead. Solder connection up to maximum cable cross-section of 2.5 mm ² .
Type	BUELA 300 K rot/red
Order No.	931 667-101
System	4 mm system
Housing Color	red
Other standard types	black color, order no. 931 667-100; blue color, order no. 931 667-102; yellow color, order no. 931 667-103; green color, order no. 931 667-104

Drawing



Technical data

Pin dimensions	4 mm
Type of contact	pin (spring-loaded)
Type of termination	solder
Rated voltage	DC 60 V
Rated current	30 A
Contact resistance	3 mOhm

Material

Contact material	brass
Contact surface material	nickel-plated

Housing material	PVC-P
Environmental conditions	
Temperature range	-25 °C to +70 °C
Inflammability class	
Housing	94 V-2