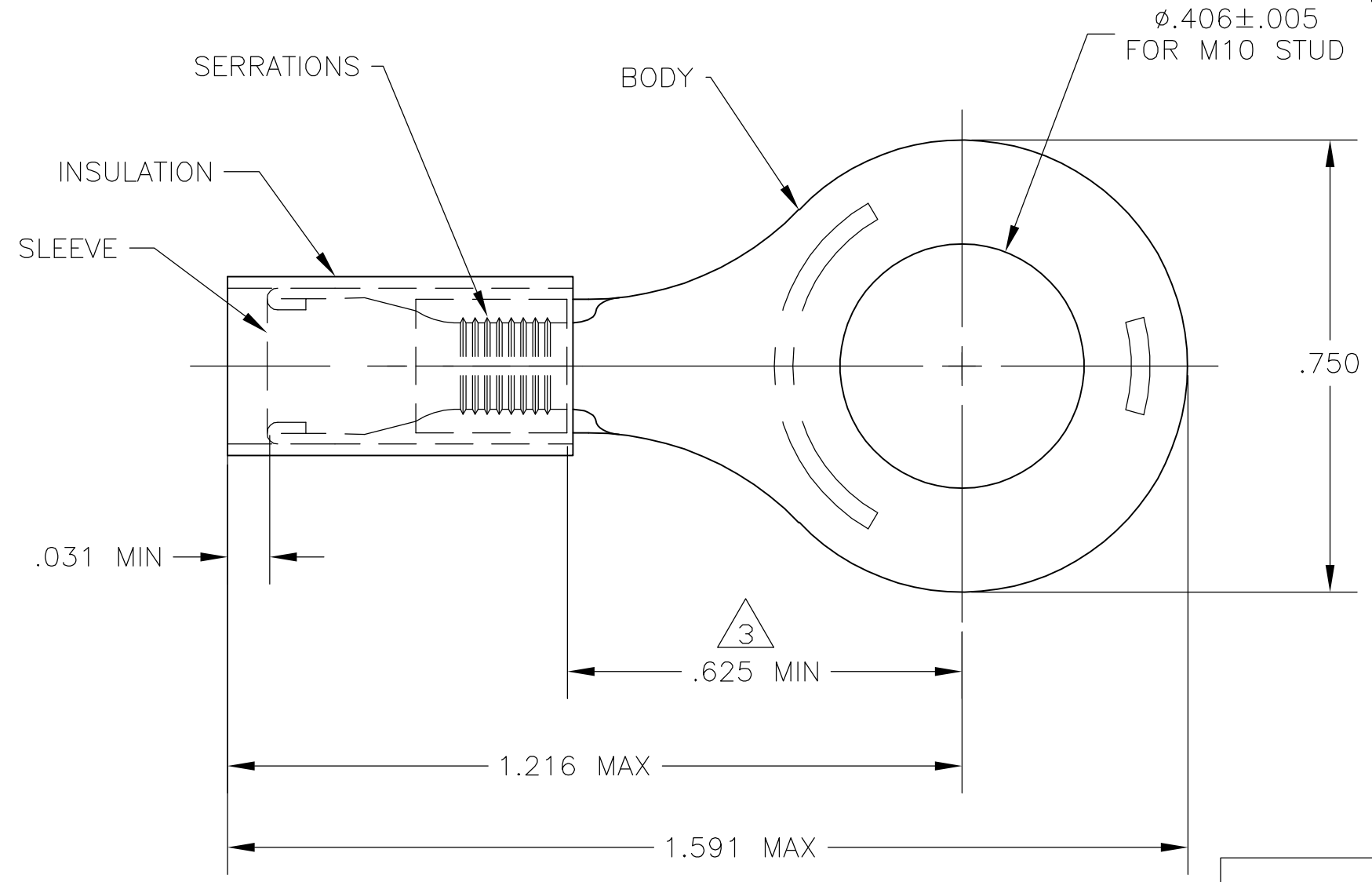


THIS DRAWING IS UNPUBLISHED. RELEASED FOR PUBLICATION  
 © COPYRIGHT BY TYCO ELECTRONICS CORPORATION. ALL RIGHTS RESERVED.

LOC	DIST	REVISIONS					
G	14	P	LTR	DESCRIPTION	DATE	DWN	APVD
		A1		REV PER ECR 06-026579	10NOV06	JR	TM

<b>AMP</b> WIRE RANGE	Listed	LR7189 Certified
12-10 AWG SOLID OR STRANDED	12-10 AWG SOLID OR STRANDED	12-10 AWG SOLID OR STRANDED



- 1 FOR .150 TO .250 WIRE INSULATION DIA.
- 2 TONGUE MATERIAL THK IS .039±.002
- 3 DIMENSION BETWEEN EDGE OF METAL WIRE BBL AND CENTER OF STUD HOLE.
- 4 BODY: COPPER PER ASTM B-152 SLEEVE: NYLON
- 5 BODY: TIN PL PER AST B-545 SLEEVE: COLOR - YELLOW

LOOSE PIECE	500	BODY & SLEEVE: COPPER B-152 TIN PLATE PER ASTM B545 INSULATION: NYLON (MIL-M-20693) TYPE I, COLOR: YELLOW	160138
PACKAGE TYPE	QTY	MATERIAL & FINISH	PART NO

**AMP INCORPORATED**  
**CUSTOMER SERVICE SYSTEMS**

FOR ADDITIONAL PRODUCT INFORMATION OR COPIES OF DRAWINGS AND TECHNICAL DOCUMENTS  
 PRODUCT INFORMATION CENTER  
 1-800-522-6752

FOR APPLICATION TOOLING ASSISTANCE CENTER  
 TOOLING INFORMATION  
 1-800-722-1111

FOR ORDER ENTRY  
 1-800-526-5142

MAX RECOMMENDED OPERATING TEMPERATURE:  
 105° C [221° F]

VOLTAGE RATING:  
 300 V MAX

WIRE CROSS SECTIONAL AREA RANGE:  
 2.62-6.64mm<sup>2</sup> [5,180-13,000] CIR MILS

THIS DRAWING IS A CONTROLLED DOCUMENT FOR AMP INCORPORATED. IT IS SUBJECT TO CHANGE AND THE CONTROLLING ENGINEERING ORGANIZATION SHOULD BE CONTACTED FOR THE LATEST REVISION.

THIS DRAWING IS A CONTROLLED DOCUMENT.

DIMENSIONS:	TOLERANCES UNLESS OTHERWISE SPECIFIED:
INCHES	0 PLC ± -
	1 PLC ± -
	2 PLC ± -
	3 PLC ± .008
	4 PLC ± -
	ANGLES ± 5°
MATERIAL	FINISH
- 4	- 5

DWN jr_ruth 10NOV06	<b>tyco</b> Tyco Electronics Corporation	
CHK T MICHELUTTI 10NOV06	<b>Electronics</b> Harrisburg, PA 17105	
APVD T MICHELUTTI 10NOV06	NAME	
PRODUCT SPEC UL 486A	WIRE TERMINAL	
APPLICATION SPEC 114-2157	P.I.D.G., RING TONGUE,	
WEIGHT -	WIRE SIZE: 12-10	
CUSTOMER DRAWING	SIZE A3	CAGE CODE 00779
	DRAWING NO C-160138	RESTRICTED TO -
	SCALE 4:1	SHEET 1 OF 1
		REV A1