

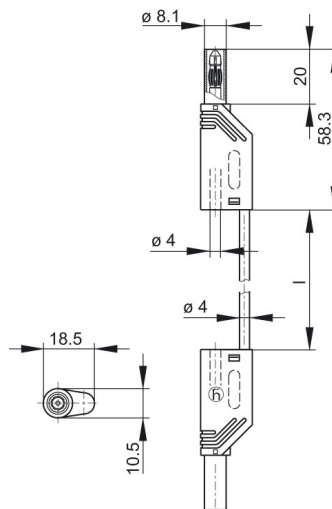
MLS WS 100/2,5 schwarz/black

Industrial Connectors:Measuring and Testing Equipment:Measuring leads:4 mm safety system

Product description

Description	Safety measuring lead, at either end 4 mm diameter safety connector with onward connection capability. Nickel-plated copper beryllium contact spring. Highly flexible, double insulated stranded lead, shatter-proof grip sleeve and lead. In accordance to IEC 61010 standards. Built in colour indicator for easy identification of insulation damages.
Type	MLS WS 100/2,5 schwarz/black
Order No.	934 088-100
System	4 mm safety system
Cable length	100 cm
Conductor size	2,5 mm ²
Cable material	PVC
Cable color	black
Housing Color	black
Other standard types	red color, order no. 934 088-101; blue color, order no. 934 088-102; yellow color, order no. 934 088-103; green color, order no. 934 088-104; yellow/green color, order no. 934 088-188

Drawing



Technical data

Pin dimensions	4 mm
Type of contact	pin (spring-loaded) and socket

Type of termination	4 mm diameter pin
Cable type	LEH-XY
Cable specification	highly flexible lead
Wire stranding	320 x 0.10
Standard	IEC 61010
Rated voltage	AC/DC 1000 V
Measurement Category	CAT II
Rated current	32 A
Contact resistance	12 mOhm
Certificates	CE
Material	
Contact material	copper beryllium
Contact surface material	nickel-plated
Housing material	PA
Environmental conditions	
Temperature range	-15 °C to +70 °C
Inflammability class	
Cable	94 HB
Housing	94 V-2