



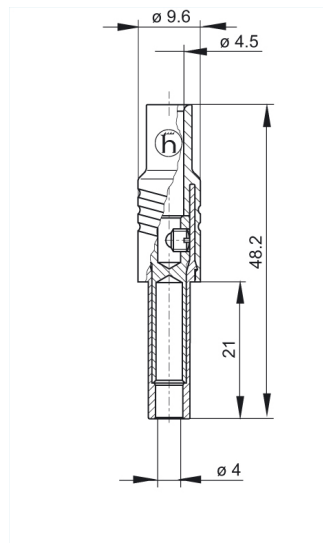
KUN S gruen/green

Industrial Connectors:Measuring and Testing Equipment:Sockets:4 mm safety system

Product description

Description	Safety coupling with screw connection for leads from 0.5 mm ² to 1.5 mm ² , outer diameter of lead max. 4,2 mm. Connectable with contact-protected plug 4 mm, 1000 V-system, IEC 61010. Simple assembly by "Click System".
Type	KUN S gruen/green
Order No.	934 096-104
System	4 mm safety system
Housing Color	green
Other standard types	black color, order no. 934 096-100; blue color, order no. 934 096-101; blue color, order no. 934 096-102; yellow color, order no. 934 096-103

Drawing



Technical data

Type of contact	socket
Type of termination	screw
Standard	IEC 61010
Rated voltage	AC/DC 1000 V
Measurement Category	CAT III
Rated current	24 A

Material

Contact material	brass
------------------	-------

Contact surface material	nickel-plated
Housing material	PA
Environmental conditions	
Temperature range	-15 °C to +70 °C
Inflammability class	
Housing	94 V-2