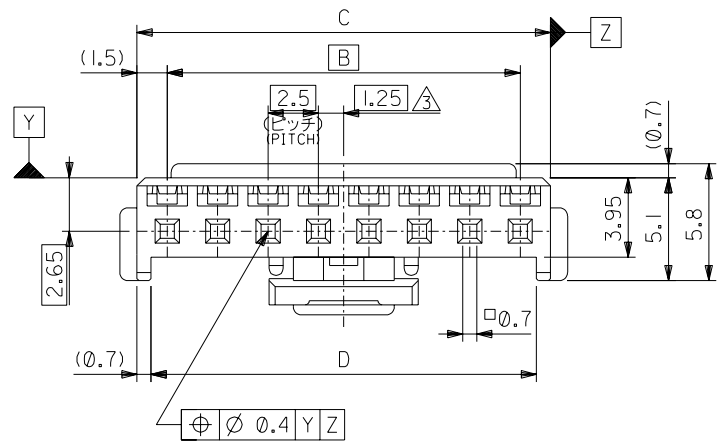
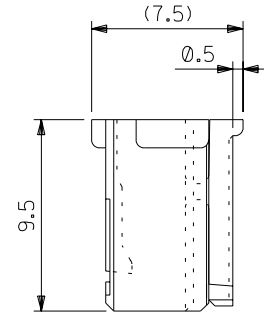
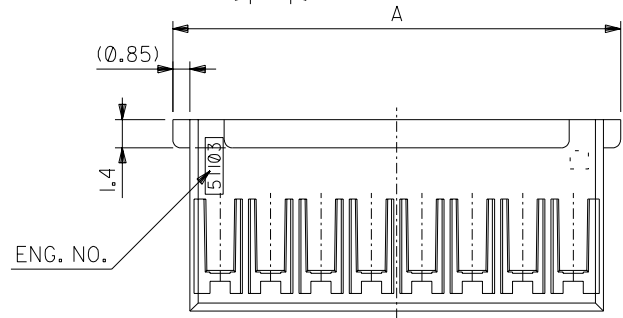


ターミナル装着状態図
TERMINAL ASSEMBLY DRAWING

注記 NOTES

- △ 適合ターミナル：50351-8*00
APPLICABLE TERMINAL：50351-8*00
- 2. 嵌合相手：53375,53376,53388,53389 シリーズ
MATE WITH：53375,53376,53388,53389 SERIES
- △ 偶数極の製品に適用。
APPLY EVEN CIRCUIT PRODUCTS.
- 4. 製品型番の下1桁は色を表す。
LAST DIGIT OF PART NUMBER INDICATES COLOR.
1：黒 BLACK 2：赤 RED 3：黄 YELLOW
4：青 BLUE 5：灰 GRAY 6：緑 GREEN
7：茶 BROWN 8：橙 ORANGE 9：紫 VIOLET

3-15 極に適用
FOR 3-15 CKTS.



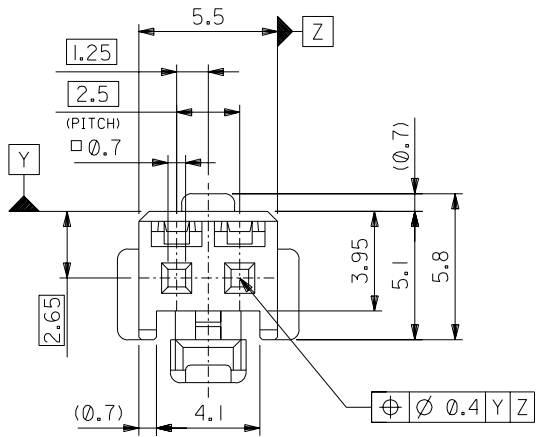
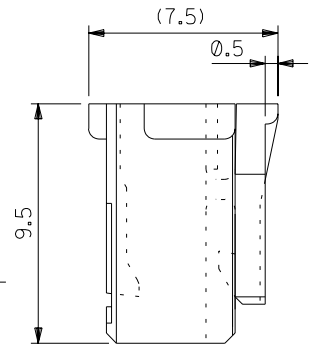
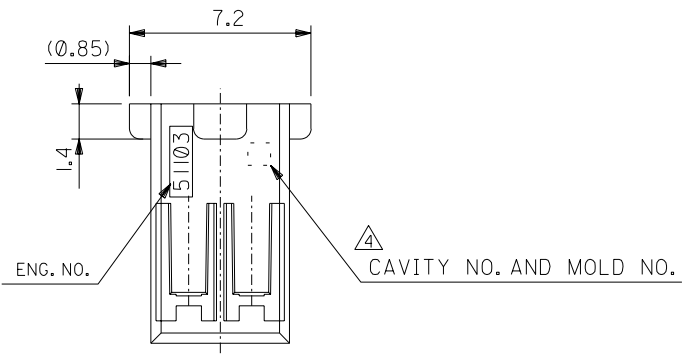
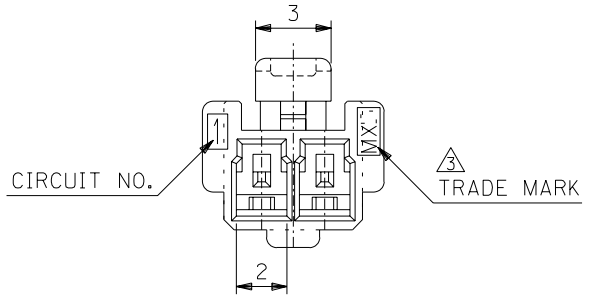
| | | | | | | | |
|---|-----|------|------|------|------|--------------|---------|
| 5 | 7.4 | 36.6 | 38 | 35 | 39.7 | 51103-156* | 15 |
| ↑ | ↑ | 34.1 | 35.5 | 32.5 | 37.2 | ↑ -146* | 14 |
| | | 31.6 | 33 | 30 | 34.7 | ↑ -136* | 13 |
| | | 29.1 | 30.5 | 27.5 | 32.2 | ↑ -126* | 12 |
| | | 26.6 | 28 | 25 | 29.7 | ↑ -116* | 11 |
| | | 24.1 | 25.5 | 22.5 | 27.2 | ↑ -106* | 10 |
| | | 21.6 | 23 | 20 | 24.7 | ↑ -096* | 9 |
| | | 19.1 | 20.5 | 17.5 | 22.2 | ↑ -086* | 8 |
| | | 16.6 | 18 | 15 | 19.7 | ↑ -076* | 7 |
| | | 14.1 | 15.5 | 12.5 | 17.2 | ↑ -066* | 6 |
| ↓ | ↓ | 11.6 | 13 | 10 | 14.7 | ↓ -056* | 5 |
| 5 | 7.4 | 9.1 | 10.5 | 7.5 | 12.2 | ↓ -046* | 4 |
| 3 | 5 | 6.6 | 8 | 5 | 9.7 | 51103-036* | 3 |
| F | E | D | C | B | A | MATERIAL NO. | CIRCUIT |

DO NOT SCALE DRAWING

| | | | | | | | | |
|--|---|---|--|---|--|--|----------|---------------------------------|
| 64 NO. DRAWN: CH'K: APPR: 63 NO. DRAWN: CH'K: APPR: 62 NO. DRAWN: CH'K: APPR: REVISED 61 NO. J2002-3132 DRAWN: S.MATSUZAKI '01/6/14 CH'K: K.ASAKAWA '01/6/17 APPR: T.YAMAGUCHI '01/6/17 RELEASED 60 NO. J2002-0450 DRAWN: S.MATSUZAKI '01/8/28 CH'K: K.KASAHARA '01/8/29 APPR: T.YAMAGUCHI '01/8/29 | MATERIAL 材料 ポリエステル (PBT)、充填材なし POLYESTER (PBT), UNFILLED, UL94V-0 | GENERAL TOLERANCES: (UNLESS SPECIFIED) 一般公差 10 UNDER 未滿 ±0.2 10 OVER 30 UNDER 未滿 ±0.25 30 OVER 以上 ±0.3 ANGLE 角度 ±3° | SCALE 5 : 1 DESIGN UNITS <input checked="" type="checkbox"/> mm <input type="checkbox"/> INCH 3RD ANGLE PROJECTION | DRAWN BY & DATE S.MATSUZAKI '01/ 8/28 CHECKED BY & DATE K.ASAKAWA '02/ 6/17 APPROVED BY & DATE T.YAMAGUCHI '02/ 6/17 CAD FILENAME 51103019.S02 | TITLE: 2.5 WIRE TO BOARD CONN. HOUSING (POSITIVE LOCK) | DIMENSIONS: <input type="checkbox"/> mm <input type="checkbox"/> INCH <input type="checkbox"/> mm ONLY | SHT 2 | REV 2 REVERSE ON CAD ONLY |
| | | | | | | | | |

THIS DRAWING CONTAINS INFORMATION THAT IS PROPRIETARY TO MOLEX INCORPORATED AND SHOULD NOT BE USED WITHOUT WRITTEN PERMISSION.

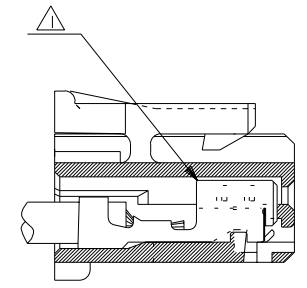
DWG. NO. SD-51103-020



注記 NOTES

- 1. 適合ターミナル：50351-8*00
APPLICABLE TERMINAL：50351-8*00
- 2. 嵌合相手：53464 シリーズ
MATE WITH：53464 SERIES.
- 3. MX Jと表示。
INDICATE MXJ.
- 4. キャビティー番号：1桁～2桁の数字
金型番号：アルファベット1文字にて構成。(例. 1A, 10B)
FORMED BY 1 DIGIT TO 2 DIGIT NUMBERS (TO CAVITY NO.)
AND BY 1 LETTER OF ALPHABET (TO MOLD NO.).
(e.g. 1A, 10B)
- 5. 製品番号の末尾は製品の色を示す
LAST NUMBER OF DWG.NO. MEANS PART COLLER.

51103-**25
色番号 COLLER CODE
5 蛍光灰色 GRAY



ターミナル装着状態図
TERMINAL ASSEMBLY DRAWING

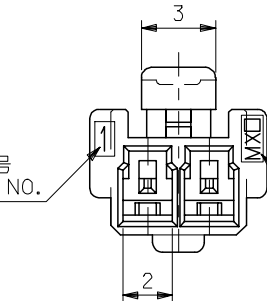
| | |
|--------------|----------------|
| 51103-0225 | 2 |
| MATERIAL NO. | NO. OF CIRCUIT |

| | | | |
|-----------------------------|-------------------------------|--------------------------|--------------------------|
| DIMENSIONS: | | SHT | REV |
| <input type="checkbox"/> mm | <input type="checkbox"/> INCH | <input type="checkbox"/> | <input type="checkbox"/> |
| PROJECTION | | DRAWING ON CAD ONLY | |

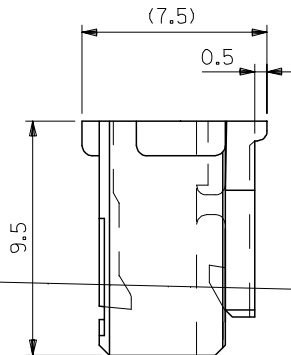
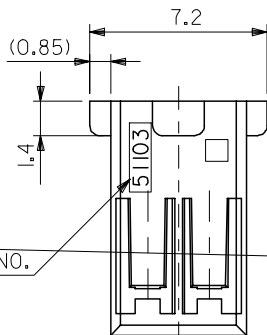
| | | | | | | | |
|----------------------|--|---|---|---|---|--|---|
| DO NOT SCALE DRAWING | 164 NO. DRWN: CH'K: APPR: 163 NO. DRWN: CH'K: APPR: 162 NO. DRWN: CH'K: APPR: 161 NO. DRWN: CH'K: APPR: | RELEASED '02/11/22 DWG. NO. J2003-1451 DRWN: N.IITO CH'K: K.ASAKAWA APPR: T.YAMAGUCHI | MATERIAL 材料 POLYBUTYLENE TEREPHTHALATE UL94V-0 | GENERAL TOLERANCES: (UNLESS SPECIFIED) 一般公差 10 UNDER 未満 ±0.2 10 OVER 以上 30 UNDER 未満 ±0.25 30 OVER 以上 ±0.3 | SCALE 5 : 1 DESIGN UNITS <input checked="" type="checkbox"/> mm <input type="checkbox"/> INCH DRAWN BY & DATE N.IITO '02/11/22 CHECKED BY & DATE K.ASAKAWA '02/11/22 APPROVED BY & DATE T.YAMAGUCHI '02/11/22 | TITLE: 2.5 WIRE TO BOARD CONN. HOUSING (POSITIVE LOCK) MOLEX MOLEX INCORPORATED | |
| | WIRE RANGE 適用線径範囲 # INS. RANGE 被覆外径 # | FINISH 仕上げ # | CAD FILENAME SD-51103-020.S01 MATERIAL NO. SEE CHART DRAWING NO. SD-51103-020 SHEET NO. 1 OF 1 | DIMENSIONS: <input type="checkbox"/> mm <input type="checkbox"/> INCH <input checked="" type="checkbox"/> mm ONLY PROJECTION <input checked="" type="checkbox"/> THIRD ANGLE <input type="checkbox"/> FIRST ANGLE DRAWING ON CAD ONLY | CAD FILENAME SD-51103-020.S01 MATERIAL NO. SEE CHART DRAWING NO. SD-51103-020 SHEET NO. 1 OF 1 | MOLEX MOLEX INCORPORATED | DIMENSIONS: <input type="checkbox"/> mm <input type="checkbox"/> INCH <input checked="" type="checkbox"/> mm ONLY PROJECTION <input checked="" type="checkbox"/> THIRD ANGLE <input type="checkbox"/> FIRST ANGLE DRAWING ON CAD ONLY |
| | WIRE RANGE 適用線径範囲 # INS. RANGE 被覆外径 # | | CAD FILENAME SD-51103-020.S01 MATERIAL NO. SEE CHART DRAWING NO. SD-51103-020 SHEET NO. 1 OF 1 | DIMENSIONS: <input type="checkbox"/> mm <input type="checkbox"/> INCH <input checked="" type="checkbox"/> mm ONLY PROJECTION <input checked="" type="checkbox"/> THIRD ANGLE <input type="checkbox"/> FIRST ANGLE DRAWING ON CAD ONLY | CAD FILENAME SD-51103-020.S01 MATERIAL NO. SEE CHART DRAWING NO. SD-51103-020 SHEET NO. 1 OF 1 | MOLEX MOLEX INCORPORATED | DIMENSIONS: <input type="checkbox"/> mm <input type="checkbox"/> INCH <input checked="" type="checkbox"/> mm ONLY PROJECTION <input checked="" type="checkbox"/> THIRD ANGLE <input type="checkbox"/> FIRST ANGLE DRAWING ON CAD ONLY |
| | WIRE RANGE 適用線径範囲 # INS. RANGE 被覆外径 # | | CAD FILENAME SD-51103-020.S01 MATERIAL NO. SEE CHART DRAWING NO. SD-51103-020 SHEET NO. 1 OF 1 | DIMENSIONS: <input type="checkbox"/> mm <input type="checkbox"/> INCH <input checked="" type="checkbox"/> mm ONLY PROJECTION <input checked="" type="checkbox"/> THIRD ANGLE <input type="checkbox"/> FIRST ANGLE DRAWING ON CAD ONLY | CAD FILENAME SD-51103-020.S01 MATERIAL NO. SEE CHART DRAWING NO. SD-51103-020 SHEET NO. 1 OF 1 | MOLEX MOLEX INCORPORATED | DIMENSIONS: <input type="checkbox"/> mm <input type="checkbox"/> INCH <input checked="" type="checkbox"/> mm ONLY PROJECTION <input checked="" type="checkbox"/> THIRD ANGLE <input type="checkbox"/> FIRST ANGLE DRAWING ON CAD ONLY |

回路番号
CIRCUIT NO.

トレードマーク
TRADE MARK

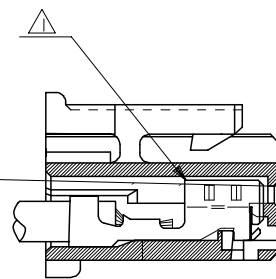


ENG. NO.



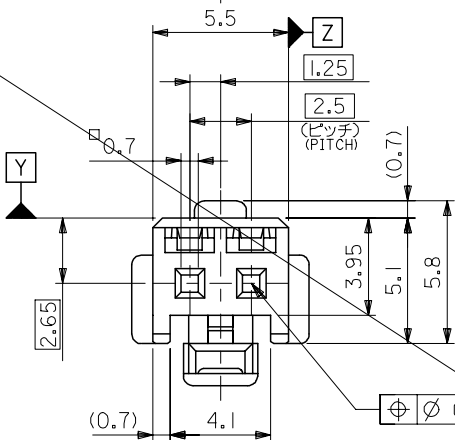
注記 NOTES

- △ 適合ターミナル : 5035I-8*00
APPLICABLE TERMINAL : 5035I-8*00
- 2. 嵌合相手 : 53375,53426 シリーズ
MATE WITH : 53375,53426 SERIES
- △ 偶数極の製品に適用。
APPLY EVEN CIRCUIT PRODUCTS.
- 4. 製品型番の下1桁は色を表す。
LAST DIGIT OF PART NUMBER INDICATES COLOR.
0 : 白 WHITE 1 : 黒 BLACK 2 : 赤 RED
3 : 黄 YELLOW 4 : 青 BLUE



ターミナル装着状態図
TERMINAL ASSEMBLY DRAWING

2極に適用
FOR 2 CKTS.



| GENERAL TOLERANCES (UNLESS SPECIFIED) | |
|--|-------|
| 10 UNDER | ±0.2 |
| 10 OVER 30 UNDER | ±0.25 |
| 30 OVER | ±0.3 |
| ANGLE | ±3 ° |
| DRAFT WHERE APPLICABLE MUST REMAIN WITHIN DIMENSIONS | |

SEE CHART

| | |
|--------------|------------------------|
| 51103-020* | 2 |
| MATERIAL NO. | CIRCUIT |
| ◎ | THIRD ANGLE PROJECTION |

10 9 8 7 6 5 4 3 2 1

F

E

D

C

B

A

F

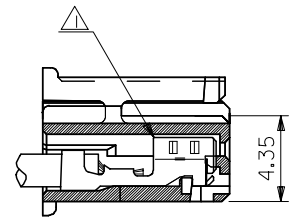
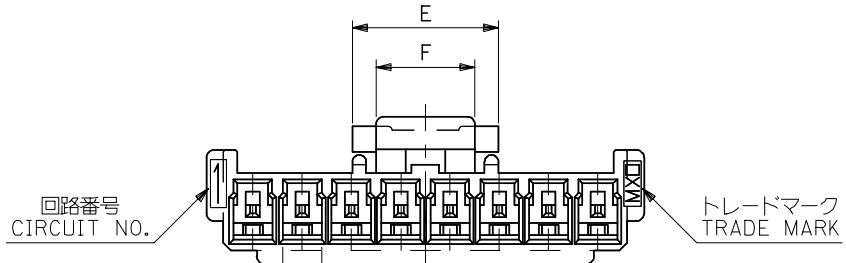
E

D

C

B

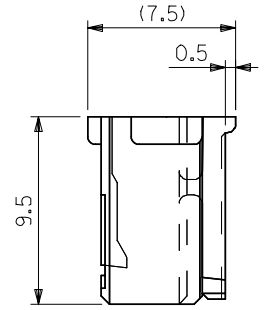
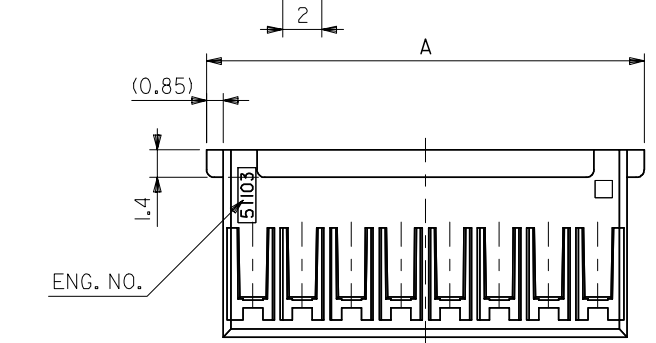
A



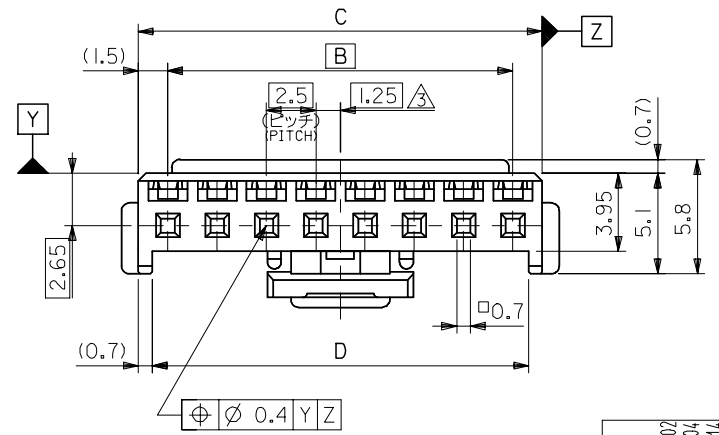
ターミナル装着状態図
TERMINAL ASSEMBLY DRAWING

注記 NOTES

- △ 適合ターミナル : 5035I-8*00
APPLICABLE TERMINAL : 5035I-8*00
- 2. 嵌合相手 : 53375,53426 シリーズ
MATE WITH : 53375,53426 SERIES
- △ 偶数極の製品に適用。
APPLY EVEN CIRCUIT PRODUCTS.
- 4. 製品型番の下1桁は色を表す。
LAST DIGIT OF PART NUMBER INDICATES COLOR.
0 : 白 WHITE 1 : 黒 BLACK 2 : 赤 RED
3 : 黄 YELLOW 4 : 青 BLUE



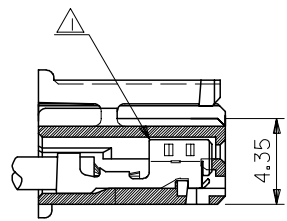
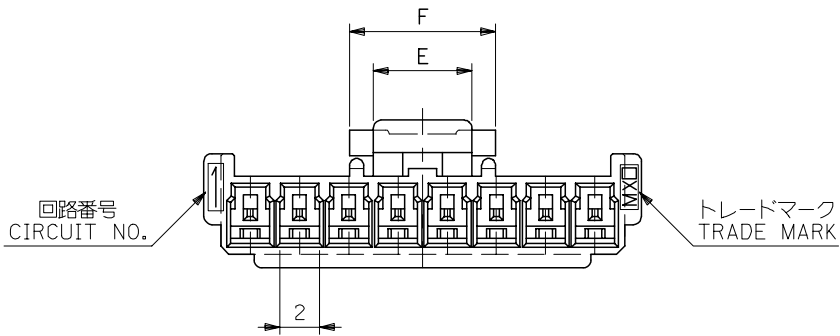
3-15 極に適用
FOR 3-15 CKTS.



| | | | | | | | |
|---|-----|------|------|------|------|--------------|---------|
| 5 | 7.4 | 36.6 | 38 | 35 | 39.7 | 51103-150* | 15 |
| ↑ | ↑ | 34.1 | 35.5 | 32.5 | 37.2 | ↑ -140* | 14 |
| | | 31.6 | 33 | 30 | 34.7 | ↑ -130* | 13 |
| | | 29.1 | 30.5 | 27.5 | 32.2 | ↑ -120* | 12 |
| | | 26.6 | 28 | 25 | 29.7 | ↑ -110* | 11 |
| | | 24.1 | 25.5 | 22.5 | 27.2 | ↑ -100* | 10 |
| | | 21.6 | 23 | 20 | 24.7 | ↑ -090* | 9 |
| | | 19.1 | 20.5 | 17.5 | 22.2 | ↑ -080* | 8 |
| | | 16.6 | 18 | 15 | 19.7 | ↑ -070* | 7 |
| | | 14.1 | 15.5 | 12.5 | 17.2 | ↑ -060* | 6 |
| | | 11.6 | 13 | 10 | 14.7 | ↑ -050* | 5 |
| 5 | 7.4 | 9.1 | 10.5 | 7.5 | 12.2 | ↓ -040* | 4 |
| 3 | 5 | 6.6 | 8 | 5 | 9.7 | ↓ 51103-030* | 3 |
| F | E | D | C | B | A | MATERIAL NO. | CIRCUIT |

| | | | | | | | |
|--|---------------------------------------|---|----------------------------|--|--------------------|--|------------------------|
| RELEASED EC NO: J2005-2009 DRAWN: MUMEDA 2005/02/07 CHKD: KTOYODA 2005/02/04 APPR: NUKITA 2005/02/14 | GENERAL TOLERANCES (UNLESS SPECIFIED) | | DIMENSION STYLE MM ONLY | | SCALE --- | DESIGN UNITS METRIC | THIRD ANGLE PROJECTION |
| | 10 UNDER | ±0.2 | DRAWN BY M.UMEDA | | DATE 2005/01/14 | TITLE 2.5 W/B CONN. HOUSING (POSITIVE LOCK) | |
| | 10 OVER 30 UNDER | ±0.25 | CHECKED BY KTOYODA | | DATE 2005/01/14 | MOLEX INCORPORATED | |
| | 30 OVER | ±0.3 | APPROVED BY N. UKITA | | DATE 2005/01/14 | DOCUMENT NO. SD-51103-021 | SHEET NO. 2 OF 2 |
| | ANGULAR | ±3 ° | MATERIAL NO. SEE CHART | | | | |
| DRAFT WHERE APPLICABLE MUST REMAIN WITHIN DIMENSIONS | | THIS DRAWING CONTAINS INFORMATION THAT IS PROPRIETARY TO MOLEX INCORPORATED AND SHOULD NOT BE USED WITHOUT WRITTEN PERMISSION | | | | | |

10 9 8 7 6 5 4 3 2 1

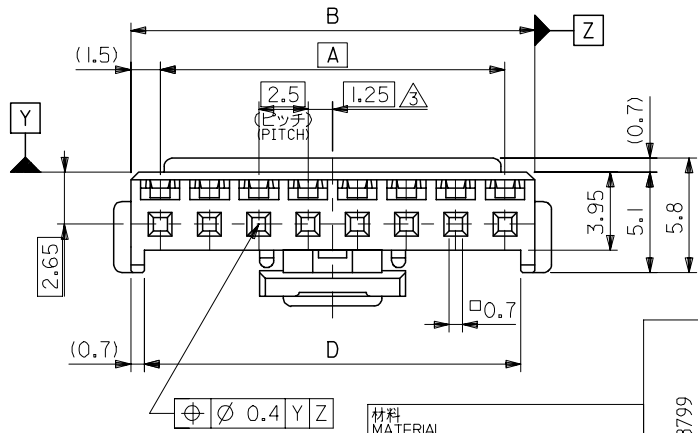
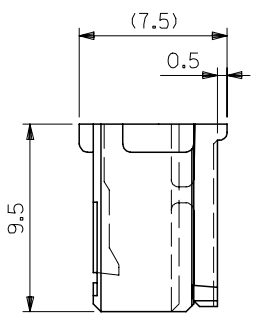
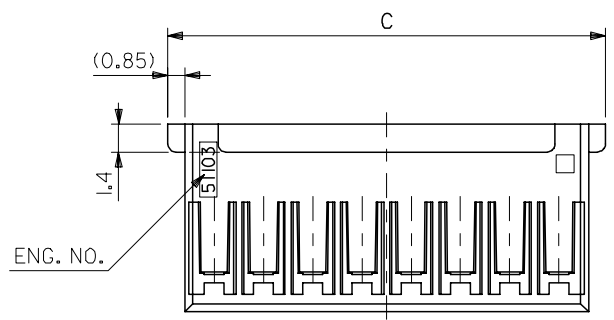


ターミナル装着状態図
TERMINAL ASSEMBLY DRAWING

注記 NOTES

- △1 適合ターミナル：50351-8*00
APPLICABLE TERMINAL：50351-8*00
- 2. 嵌合相手：53375,53376,53388,53389
53426 シリーズ
MATE WITH：53375,53376,53388,53389
53426 SERIES
- △3 偶数極の製品に適用。
APPLY EVEN CIRCUIT PRODUCTS.

3-15 極に適用
FOR 3-15 CKTS.



| | | | | | | | |
|-----|---|------|------|------|------|--------------|----------------|
| 7.4 | 5 | 36.6 | 39.7 | 38 | 35 | 51103-1500 | 15 |
| ▲ | ▲ | 34.1 | 37.2 | 35.5 | 32.5 | ▲ -1400 | 14 |
| | | 31.6 | 34.7 | 33 | 30 | ▲ -1300 | 13 |
| | | 29.1 | 32.2 | 30.5 | 27.5 | ▲ -1200 | 12 |
| | | 26.6 | 29.7 | 28 | 25 | ▲ -1100 | 11 |
| | | 24.1 | 27.2 | 25.5 | 22.5 | ▲ -1000 | 10 |
| | | 21.6 | 24.7 | 23 | 20 | ▲ -0900 | 9 |
| | | 19.1 | 22.2 | 20.5 | 17.5 | ▲ -0800 | 8 |
| | | 16.6 | 19.7 | 18 | 15 | ▲ -0700 | 7 |
| | | 14.1 | 17.2 | 15.5 | 12.5 | ▲ -0600 | 6 |
| | | 11.6 | 14.7 | 13 | 10 | ▲ -0500 | 5 |
| ▼ | ▼ | 9.1 | 12.2 | 10.5 | 7.5 | ▼ -0400 | 4 |
| 5 | 3 | 6.6 | 9.7 | 8 | 5 | 51103-0300 | 3 |
| F | E | D | C | B | A | MATERIAL NO. | 極数 NO. OF CKT. |

| | |
|-------------------|--------------------------|
| 材料 MATERIAL | PBTP, UL94V-0 (白色 WHITE) |
| 仕上げ FINISH | -#- |
| 適用電線範囲 WIRE RANGE | -#- |
| 被覆外径 INS. RANGE | -#- |

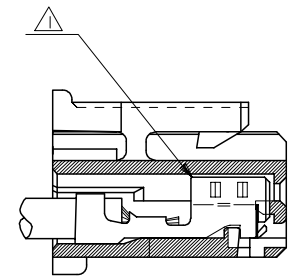
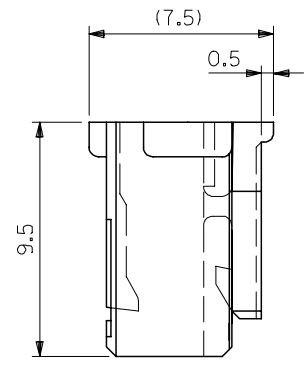
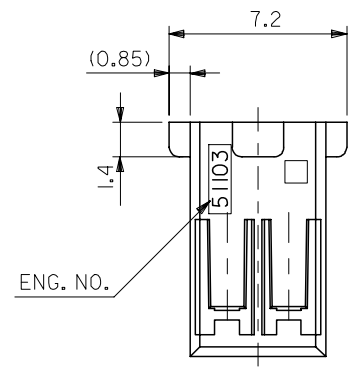
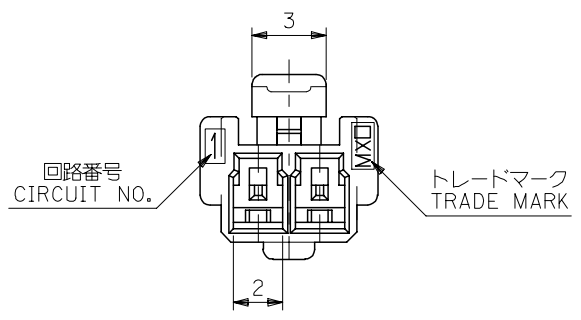
| | |
|---------------|-------------------|
| REVISED | EC NO: J2005-3799 |
| DRWN: MABEI | 2005/06/20 |
| CHKD: KTOYODA | 2005/06/21 |
| APPR: NUKITA | 2005/06/27 |

| | |
|--|-------|
| GENERAL TOLERANCES (UNLESS SPECIFIED) | |
| 10 UNDER | ±0.2 |
| 10 OVER 30 UNDER | ±0.25 |
| 30 OVER | ±0.3 |
| ANGULAR | ±3 ° |
| DRAFT WHERE APPLICABLE MUST REMAIN WITHIN DIMENSIONS | |

| | |
|-------------------------|--------------|
| DIMENSION STYLE MM ONLY | |
| DRAWN BY | T. ITO |
| DATE | '92/05/06 |
| CHECKED BY | H. HIRAMOTO |
| DATE | '95/10/03 |
| APPROVED BY | M. FUKUSHIMA |
| DATE | '95/10/03 |
| MATERIAL NO. SEE CHART | |
| SIZE | A3 |

| | |
|---|--------------|
| SCALE | 4:1 |
| DESIGN UNITS | METRIC |
| THIRD ANGLE PROJECTION | |
| TITLE 2.5 WIRE TO BOARD CONN HOUSING (POSITIVE LOCK) | |
| MOLEX MOLEX INCORPORATED | |
| DOCUMENT NO. | SD-51103-023 |
| SHEET NO. | 1 OF 2 |
| THIS DRAWING CONTAINS INFORMATION THAT IS PROPRIETARY TO MOLEX INCORPORATED AND SHOULD NOT BE USED WITHOUT WRITTEN PERMISSION | |

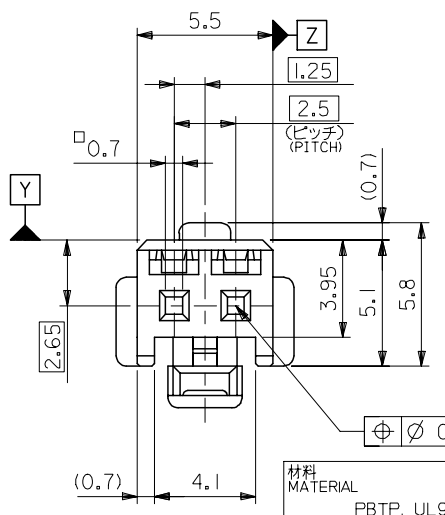
10 9 8 7 6 5 4 3 2 1



ターミナル装着状態図
TERMINAL ASSEMBLY DRAWING

注記 NOTES

- △ 適合ターミナル : 5035I-8*00
APPLICABLE TERMINAL : 5035I-8*00
- 2. 嵌合相手 : 53375,53426 シリーズ
MATE WITH : 53375,53426 SERIES



2極に適用
FOR 2 CKTS.

| | |
|-------------------|--------------------------|
| 材料 MATERIAL | PBTP, UL94V-0 (白色 WHITE) |
| 仕上げ FINISH | — |
| 適用電線範囲 WIRE RANGE | — |
| 被覆外径 INS. RANGE | — |

| | |
|-------------------------|-------------|
| REVISED | DESCRIPTION |
| EC NO: J2005-3799 | |
| DRWN: NABEI 2005/06/20 | |
| CHKD: TOYODA 2005/06/21 | |
| APPR: NUKITA 2005/06/27 | |

| | |
|--|-------|
| GENERAL TOLERANCES (UNLESS SPECIFIED) | |
| 10 UNDER | ±0.2 |
| 10 OVER 30 UNDER | ±0.25 |
| 30 OVER | ±0.3 |
| ANGULAR | ±3 ° |
| DRAFT WHERE APPLICABLE MUST REMAIN WITHIN DIMENSIONS | |

| | |
|-------------------------|-----------|
| DIMENSION STYLE MM ONLY | |
| DRAWN BY | DATE |
| T. ITO | '92/05/06 |
| CHECKED BY | DATE |
| H. HIRAMOTO | '95/10/03 |
| APPROVED BY | DATE |
| M. FUKUSHIMA | '95/10/03 |
| MATERIAL NO. | |
| SEE CHART | |
| SIZE | |
| A3 | |

| | | |
|---|--------------|------------------------|
| SCALE | DESIGN UNITS | THIRD ANGLE PROJECTION |
| 5:1 | METRIC | |
| TITLE | | |
| 2.5 WIRE TO BOARD CONN HOUSING (POSITIVE LOCK) | | |
| MOLEX INCORPORATED | | SHEET NO. |
| DOCUMENT NO. SD-51103-023 | | 2 OF 2 |
| THIS DRAWING CONTAINS INFORMATION THAT IS PROPRIETARY TO MOLEX INCORPORATED AND SHOULD NOT BE USED WITHOUT WRITTEN PERMISSION | | |

| | |
|--------------|----------------|
| 51103-0200 | 2 |
| MATERIAL NO. | 極数 NO. OF CKT. |