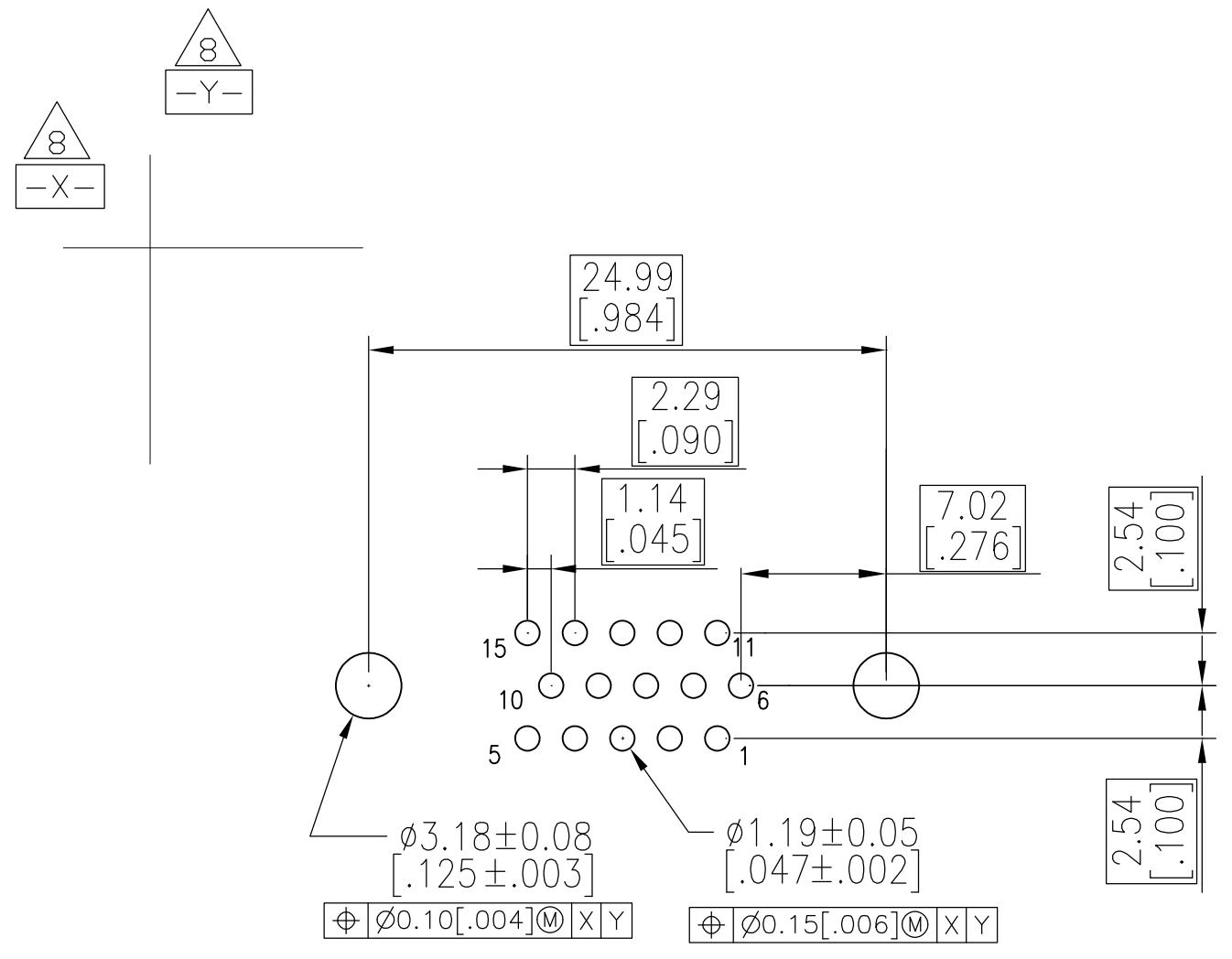
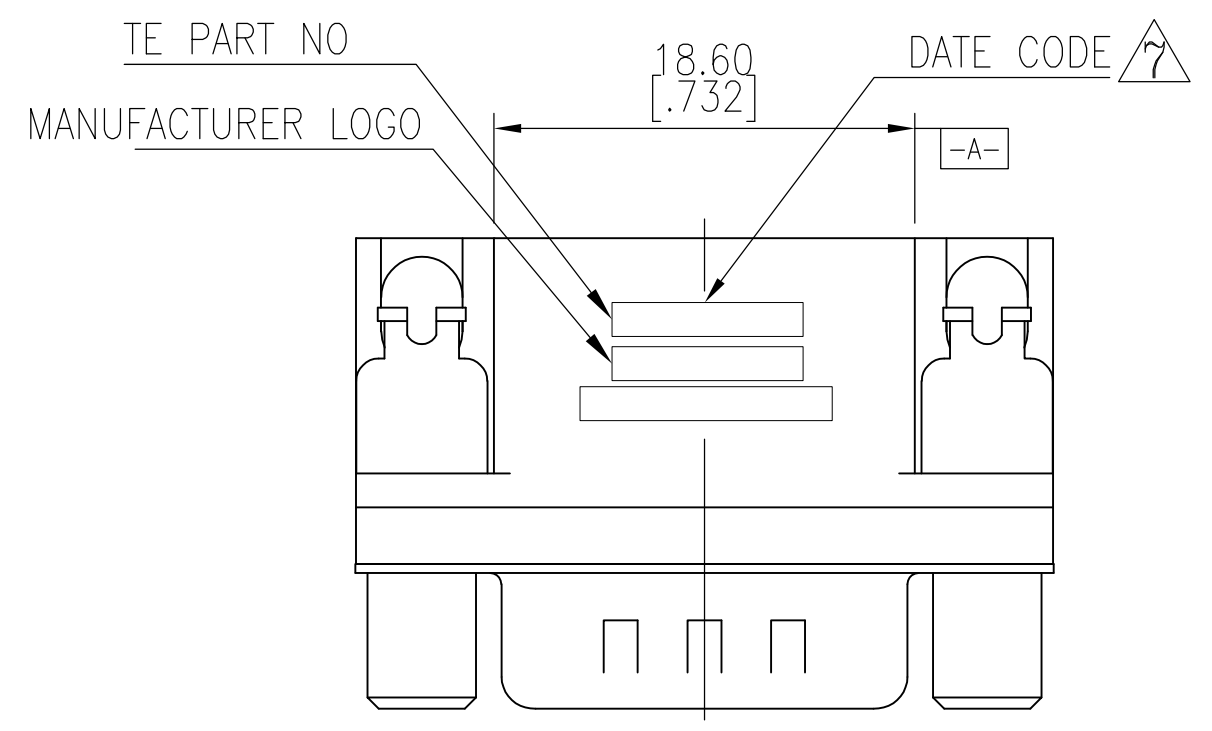
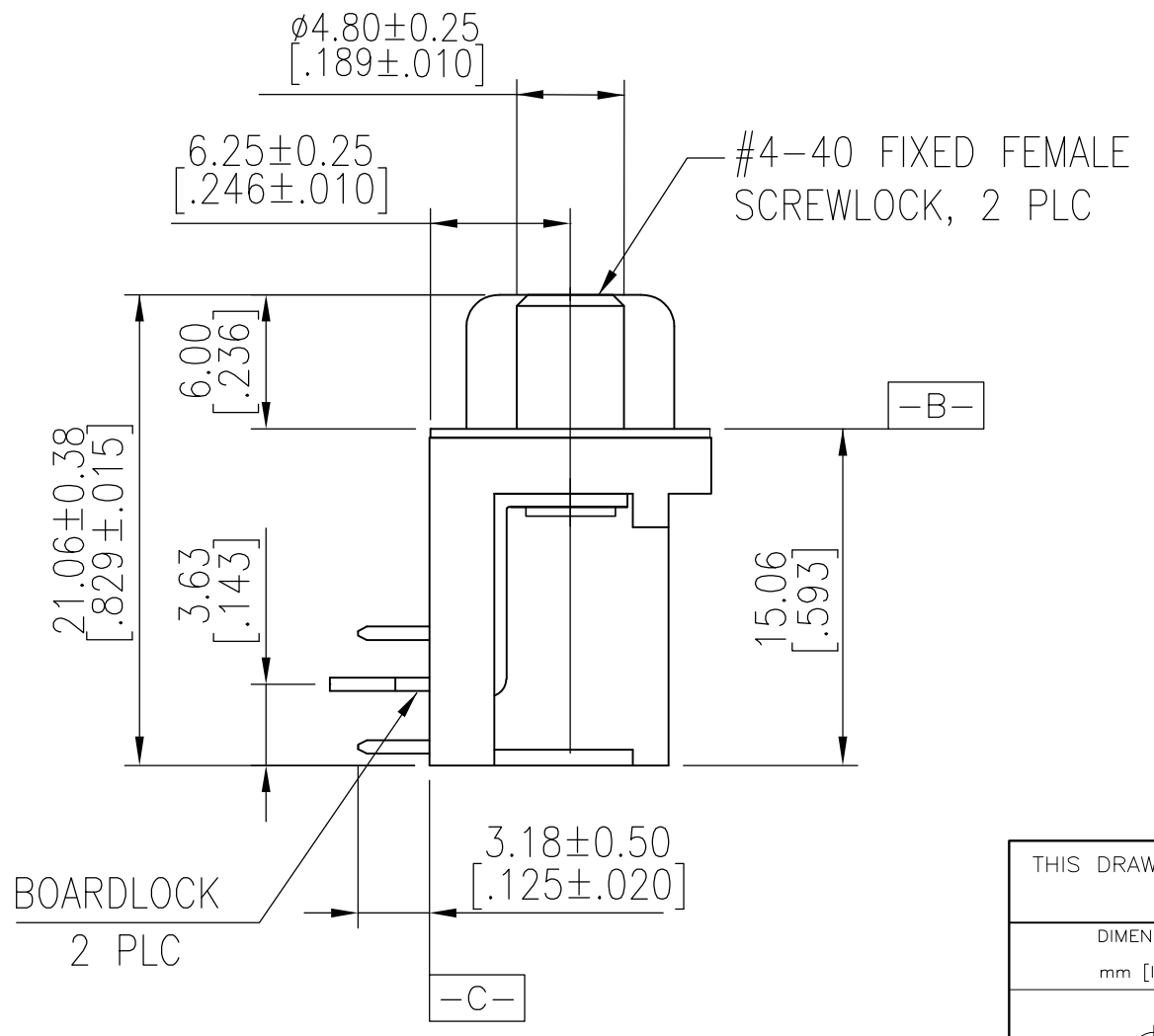
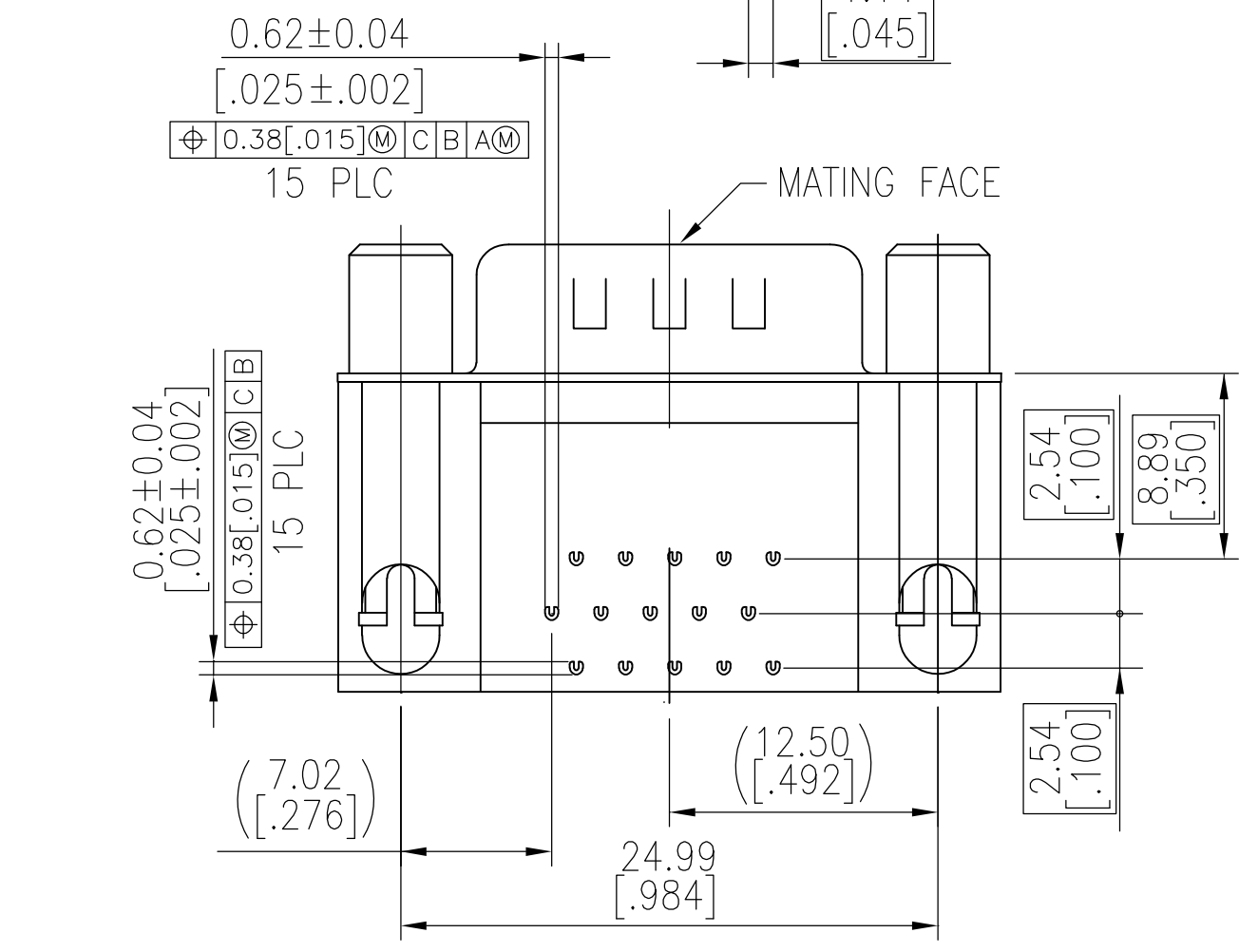
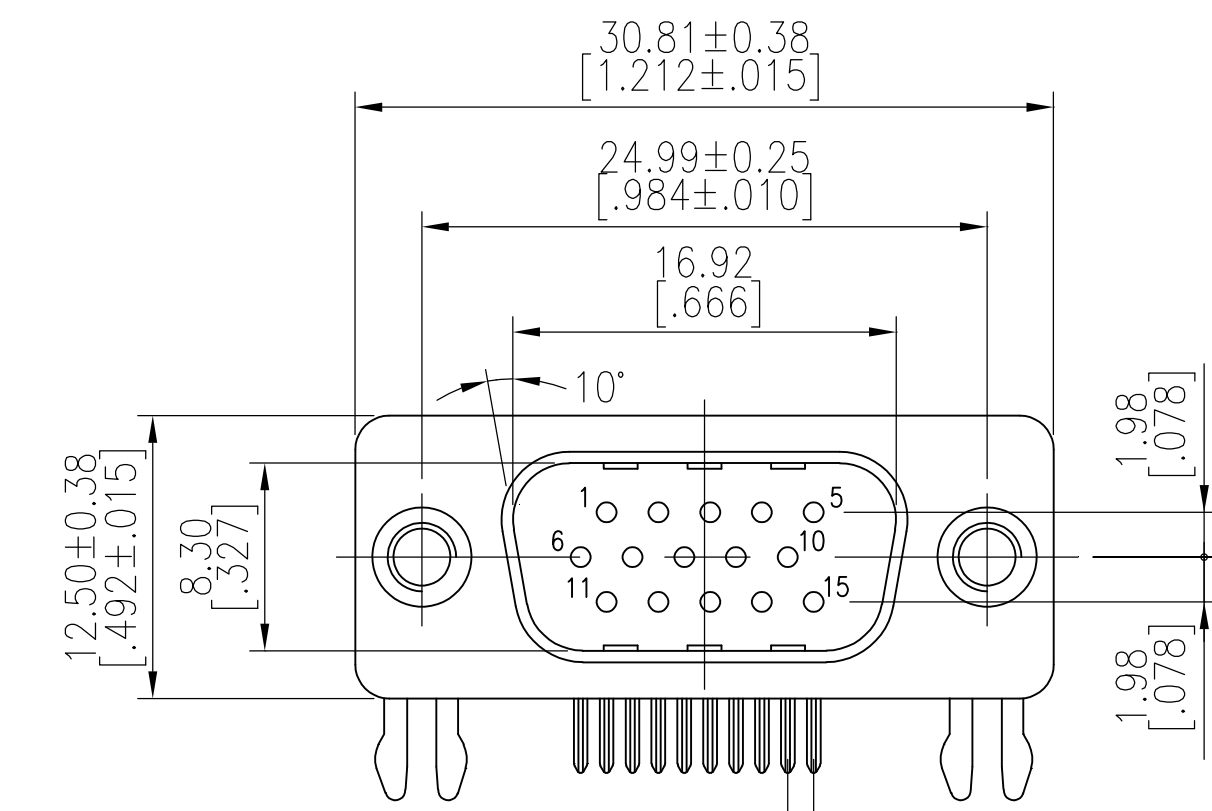


THIS DRAWING IS UNPUBLISHED. RELEASED FOR PUBLICATION
 © COPYRIGHT BY TYCO ELECTRONICS CORPORATION. ALL INTERNATIONAL RIGHTS RESERVED.

LOC		DIST		REVISIONS			
GP	00	P	LTR	DESCRIPTION	DATE	DWN	APVD
		B		REVISED PER ECO-08-019779	18AUG08	JDP	SLB



RECOMMENDED PCB LAYOUT



- HOUSING MATERIAL: PBT, GLASS FILLED, BLACK, UL 94V-0 RATED.
 - CONTACT MATERIAL: PHOSPHOR BRONZE.
 - CONTACT FINISH: GOLD PLATE IN MATING AREA (SEE TABLE), 120μ" MIN TIN PLATE ON SOLDER TAIL, BOTH OVER 50μ" MIN NICKEL UNDERPLATE.
 - SHELL: STEEL, NICKEL PLATE.
 - BOARDLOCK: BRASS, 100μ" MIN TIN PLATE.
 - FEMALE SCREWLOCK: BRASS, NICKEL PLATE.
- △ FOUR DIGIT DATE CODE IN THIS FORMAT.
 Year 01 45 Manufacturing Week
- △ DATUMS -X- & -Y- TO BE ESTABLISHED BY CUSTOMER.

Gold Flash	5749768-3
15μ" MIN	5749768-2
30μ" MIN	5749768-1
CONTACT MATING AREA FINISH	PART NUMBER

THIS DRAWING IS A CONTROLLED DOCUMENT.		DWN J.GERACE 22FEB06	Tyco Electronics Corporation Harrisburg, PA 17105-3608	
DIMENSIONS: mm [INCHES]		CHK S.BOLASH 22FEB06	NAME	
TOLERANCES UNLESS OTHERWISE SPECIFIED:		APVD M.WALMSLEY 22FEB06	AMPLIMITE HD-22 15 POS PLUG, RIGHT ANGLE	
0 PLC ± -		PRODUCT SPEC	SIZE	CAGE CODE
1 PLC ± 0.38 [0.015]		APPLICATION SPEC	A2	00779
2 PLC ± 0.25 [0.010]		114-13198	DRAWING NO	RESTRICTED TO
3 PLC ± 0.15 [0.006]		114-13198	C=5749768	-
4 PLC ± -		WEIGHT	SCALE	SHEET
ANGLES ± 2°		-	3:1	1 of 1
MATERIAL SEE NOTES		FINISH SEE NOTES	CUSTOMER DRAWING	REV B