

Inlet for front or rear side mounting, fuse 1-/2-pole, line switch 2-pole

Standard or Medical Fuse drawer



new



C14



70° C



Description

- Panel Mount:
 - Screw-on version from front or rear side
- 3 Functions:
 - Inlet Protection class I, Line switch 2-pole, Fuseholder for fuse-links 5 x 20 mm 1- or 2-pole
- Quick connect terminals 4.8 x 0.8 mm
- Alternative: version with line filter [DD12](#)
- Alternative: version for snap-in mounting [KM](#)

Characteristics

- Ultra-compact design. Ideal for low profile designs
- All single elements are already wired
- Fuse drawer meets requirements of medical standard IEC/EN 60601-1
 - The fuseholder is accessible from the equipment front
 - For added safety "Extra-Safe" fuse drawers are available
- Ideal for application with high transient loads
- Designed for standard and medical applications
- Qualified for use in equipment according IEC/EN 60950

Other versions on request

- Solder terminals
- Fuse drawer 1-pole, plus spare fuse case
- Fuse drawer 2-pole, with shorting bar
- Other rocker marking
- Line switch 1-pole
- Protection class II, 70°C

Weblinks

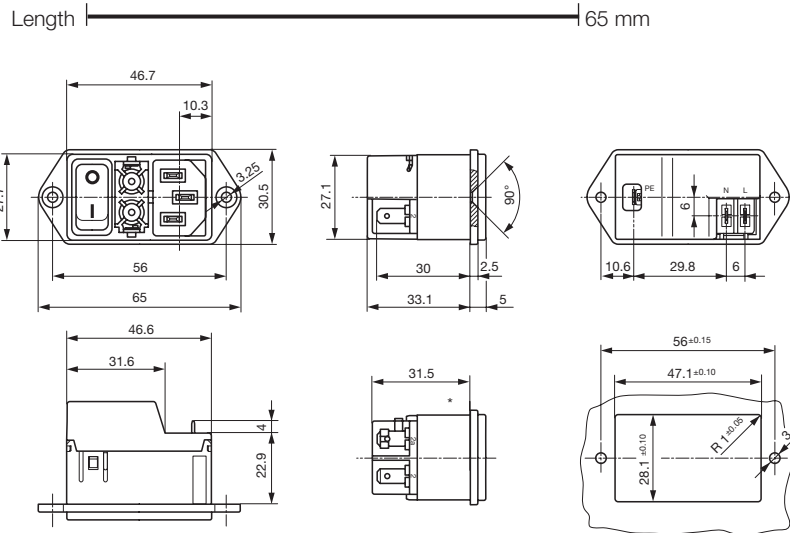
Approvals: www.schurter.com/approvals
 RoHS: <http://www.schurter.com/rohs>
 CHINA-RoHS: www.schurter.com/china-rohs
 Webstore: www.schurterinc.com/estore/search.ihtml

Technical Data

Ratings IEC	10 A / 250 VAC; Hz 50	Appliance-Inlet /-Outlet	C14 acc. to IEC/EN 60320-1
Ratings UL/CSA	8 A / 125/250 VAC; 60Hz ¹⁾		UL 498, CSA C22.2 no. 42 (for cold condition) pin-temperature 70 °C, 10A, Protection class I
Dielectric Strength	> 2.5kVAC between L-N > 3kVAC between L/N-PE (1 min/50Hz)	Fuseholder	1 or 2 pole, Shocksafe category PC2 acc. to IEC 60127-6, for fuse-links 5 x 20mm
Allowable Operation Temp.	-25 °C to 85 °C	Rated Power Acceptance @ Ta 23 °C	5 x 20: 2W (1 pole)/ 1.6W (2-pole) per pole
Degree of Protection	from front side IP 40 acc. to IEC 60529	Power Acceptance @ Ta > 23°C	Admissible power acceptance at higher ambient temperature see derating curves
Protection Class	Suitable for appliances with protection class I acc. to IEC 61140	Line Switch	Rocker switch 2-pole, non-illuminated or illuminated, acc. to IEC 61058-1
Terminal	Quick connect terminals 4.8 x 0.8 mm		Technical details
Panel Thickness s	Screw-on: max 8mm Mounting screw torque max 0.5Nm Rear side mounting: max 2 mm		
Material: Housing	Thermoplastic, black, UL 94V-0		

1) with cover 7 A, without cover 8 A

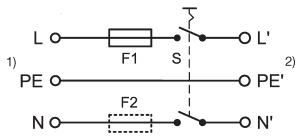
Dimensions
Screw version



*) view without cover

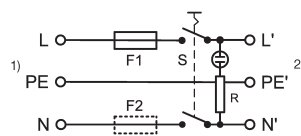
Diagrams

non illuminated



1) Line
2) Load

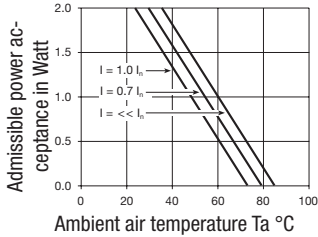
illuminated



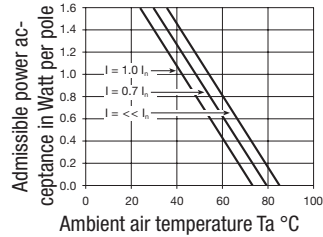
1) Line
2) Load

Derating Curves for Fuseholders

1-pole



2-pole



Variants

[Webstore](#)

Fuse drawer must be ordered separately (see accessories).

Fuseholder	Line Switch	Illumination	Color	Cover on rear side ¹⁾	Order Number
1 pole	2-pole	non-illuminated	-	-	DD11.0111.1110
1 pole	2-pole	illuminated	red	-	DD11.0113.1110
1 pole	2-pole	illuminated	green	-	DD11.0114.1110
2-pole	2-pole	non-illuminated	-	-	DD11.0121.1110
2-pole	2-pole	illuminated	red	-	DD11.0123.1110
2-pole	2-pole	illuminated	green	-	DD11.0124.1110
1 pole	2-pole	non-illuminated	-	•	DD11.0111.1111
1 pole	2-pole	illuminated	red	•	DD11.0113.1111
1 pole	2-pole	illuminated	green	•	DD11.0114.1111
2-pole	2-pole	non-illuminated	-	•	DD11.0121.1111
2-pole	2-pole	illuminated	red	•	DD11.0123.1111
2-pole	2-pole	illuminated	green	•	DD11.0124.1111

1) current rating UL: with cover 7 A, without cover 8 A

Packaging unit 40 Pcs

Required Accessory

Description



Fusedrawer 2
Fusedrawer with and without voltage selector insert

Accessory



Cord retaining kits
Cord retaining strain relieve
