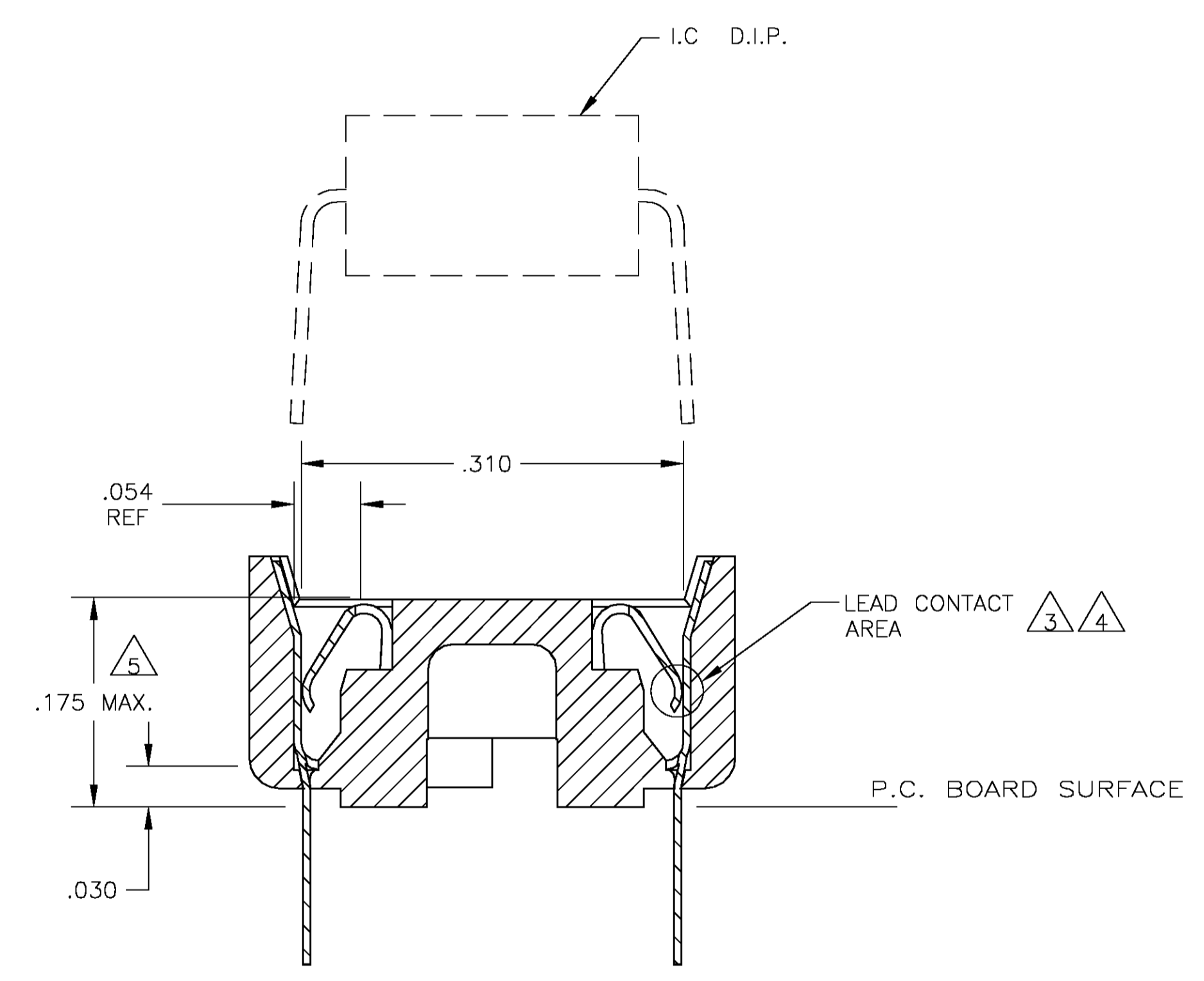
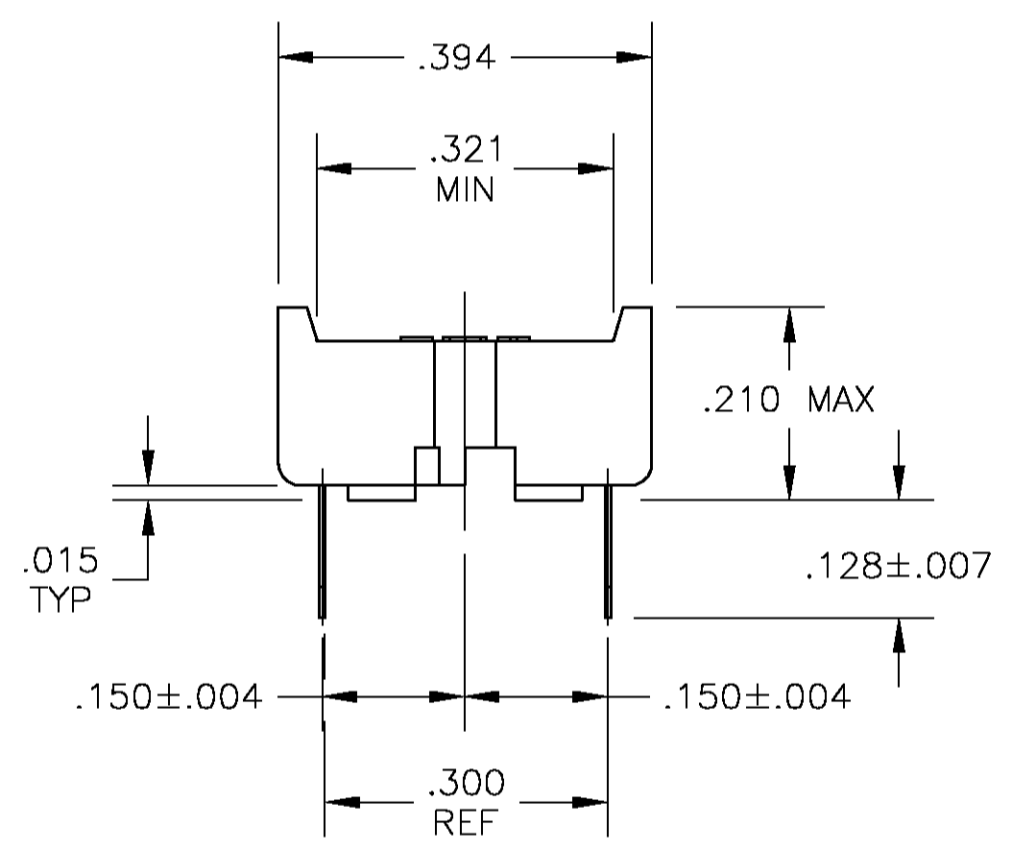
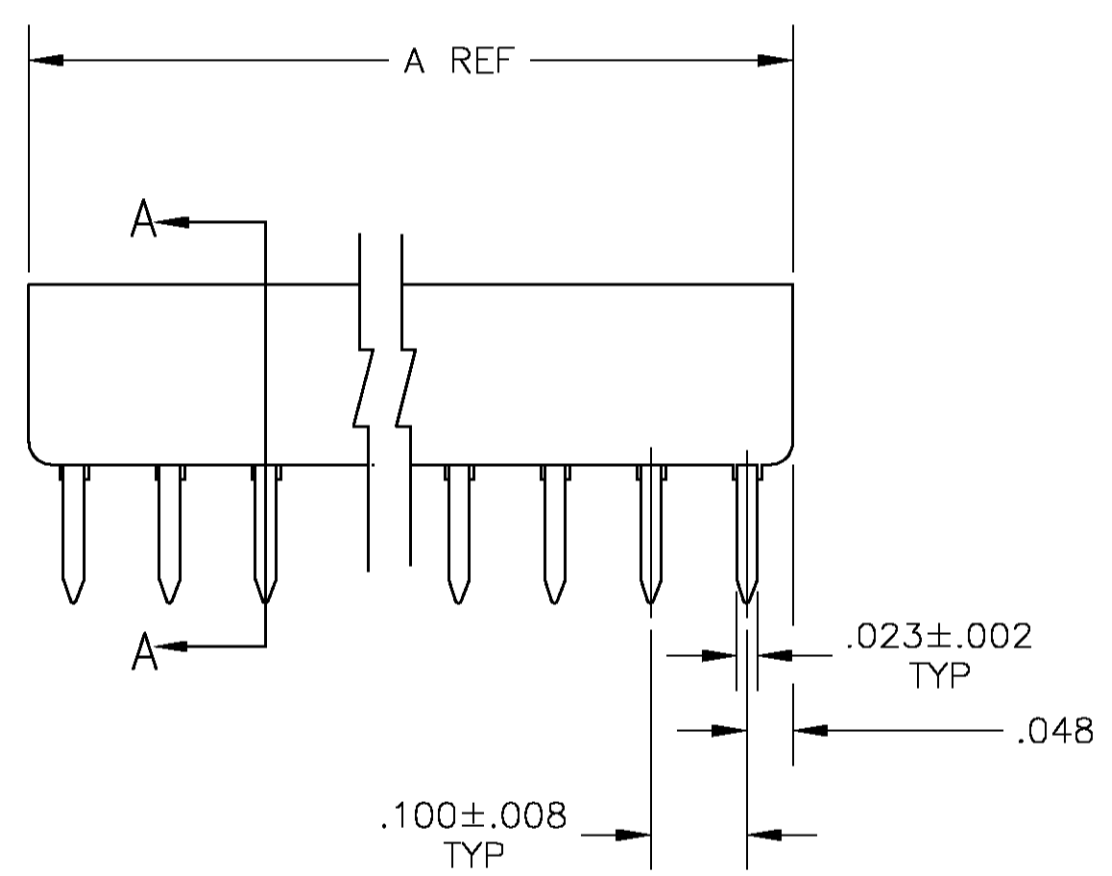
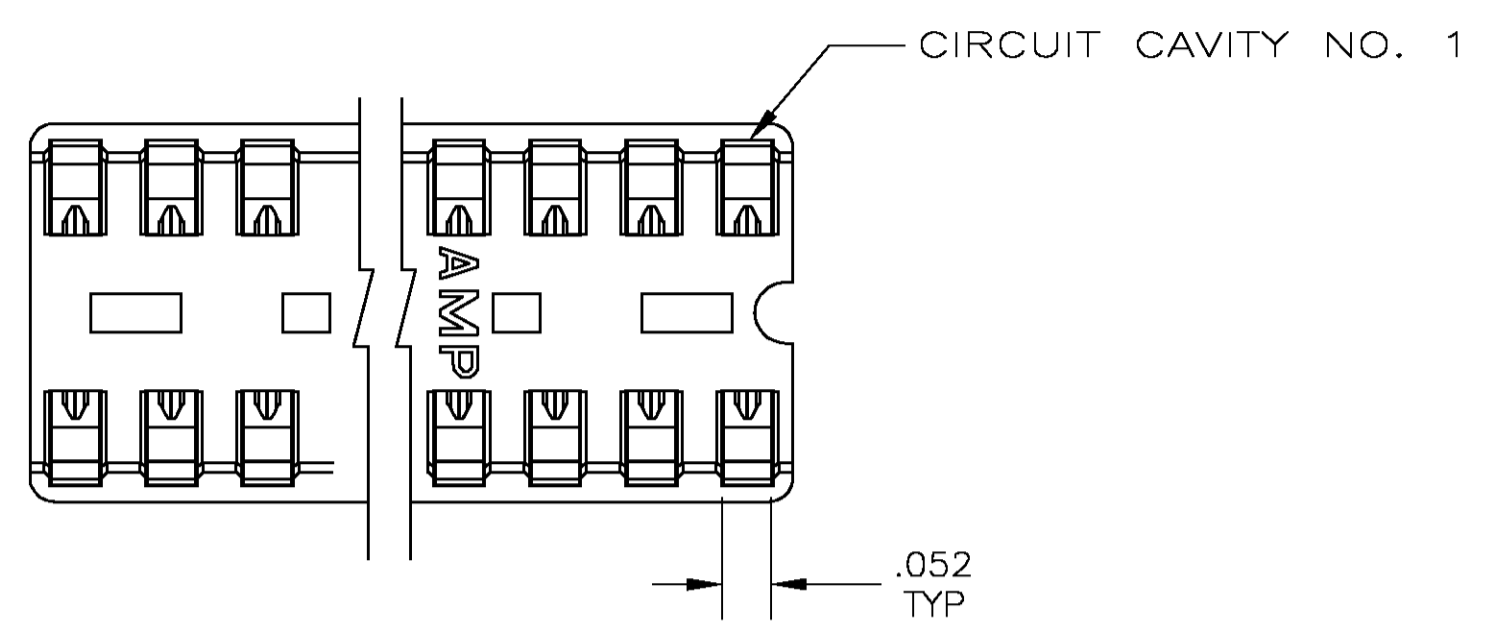
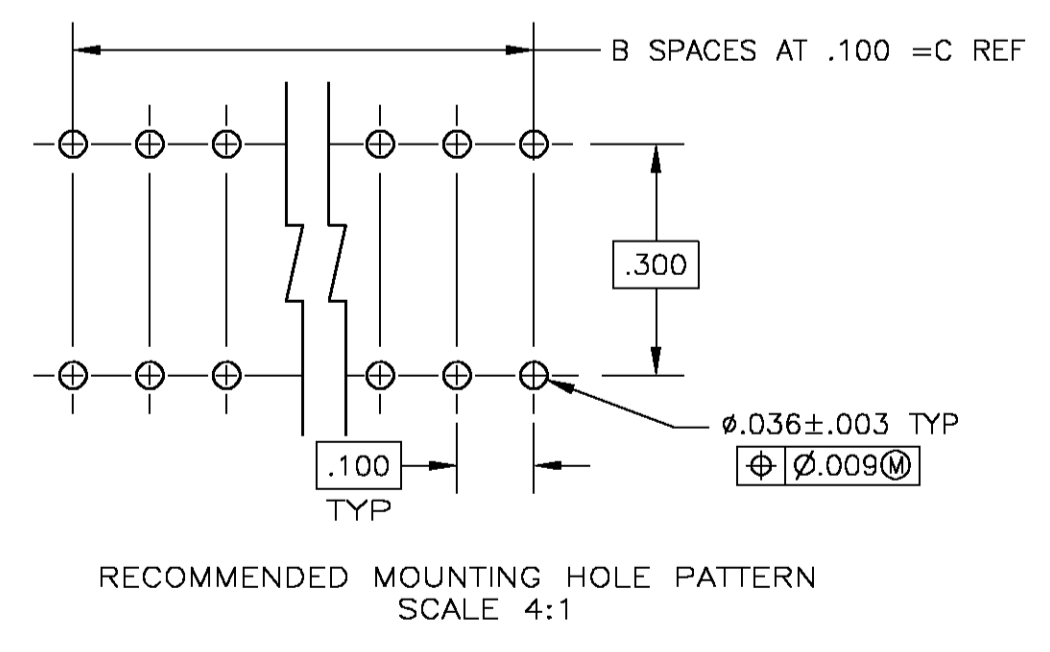


1. RECEPTACLE ACCEPTS A .008-.014 THICK I.C. LEAD.
2. TUBE LOADED FOR AUTOMATIC INSERTION.
3. BECU CONTACT-PLATED WITH TWO .000030 MIN THK. GOLD STRIPES IN CONTACT AREA WITH TIN ON CONTACT LEGS, BALANCE OF CONTACT NICKEL PLATED.
4. PHOS. BRONZE CONTACT- PLATED WITH TWO .000015 MIN THK. GOLD STRIPES IN CONTACT AREA WITH TIN ON CONTACT LEGS, BALANCE OF CONTACT NICKEL PLATED.
5. MAXIMUM DIMENSION FOR I.C. SEATING PLANE.
6. HOUSING MATERIAL-GLASS FILLED THERMOPLASTIC, BLACK, 94V-0



SECTION A-A
 SCALE 10:1



3	.900	9	.995	20	1-1825093-6
5	.800	8	.895	18	1-1825093-5
3	.700	7	.795	16	1-1825093-4
3	.600	6	.695	14	1-1825093-3
3	.300	3	.395	8	1-1825093-2
3	.200	2	.295	6	1-1825093-1
4	.900	9	.995	20	1825093-6
4	.800	8	.895	18	1825093-5
4	.700	7	.795	16	1825093-4
4	.600	6	.695	14	1825093-3
4	.300	3	.395	8	1825093-2
4	.200	2	.295	6	1825093-1

THIS DRAWING IS A CONTROLLED DOCUMENT.

DIMENSIONS: INCHES	TOLERANCES UNLESS OTHERWISE SPECIFIED:	0 PLC ± .005	1 PLC ± .004	2 PLC ± .003	3 PLC ± .002	4 PLC ± .001	ANGLES ± .005
--------------------	--	--------------	--------------	--------------	--------------	--------------	---------------

MATERIAL	FINISH	WEIGHT	SIZE	CAGE CODE	DRAWING NO	RESTRICTED TO
-	-	-	A1	00779	1825093	-

CUSTOMER DRAWING SCALE 5:1 SHEET 1 OF 1 REV A

THIS DRAWING IS A CONTROLLED DOCUMENT. DSN B.S.VISWESWARA ZDAPR2005
 CHK K.WRIGHT
 NAME
 Tyco Electronics Corporation
 Harrisburg, Pa 17105-3608
 PRODUCT SPEC
 APPLICATION SPEC
 DIP SOCKET ASSY, CLOSED, DIPLOMATE, .300 CL, LEAD FREE