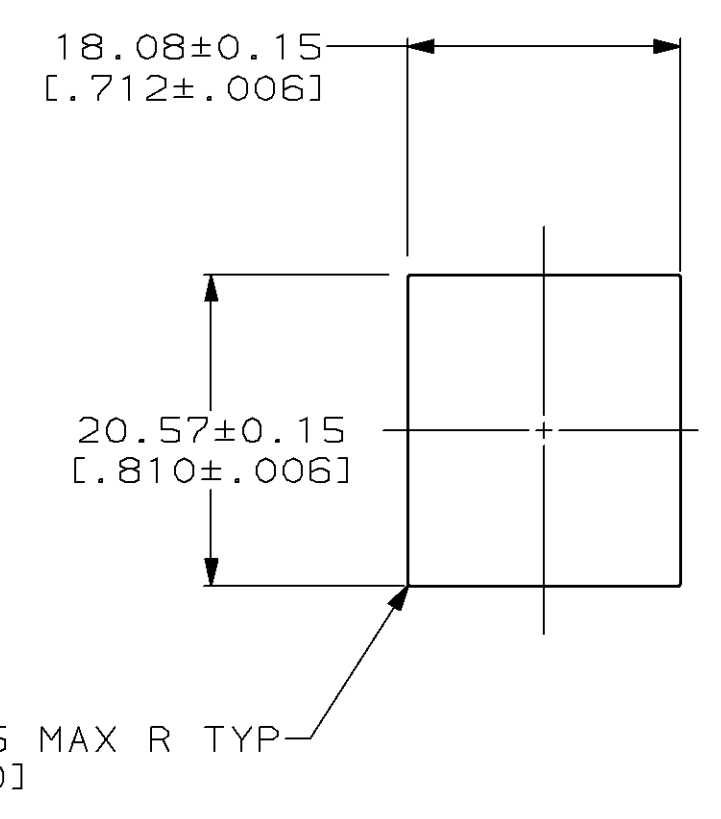
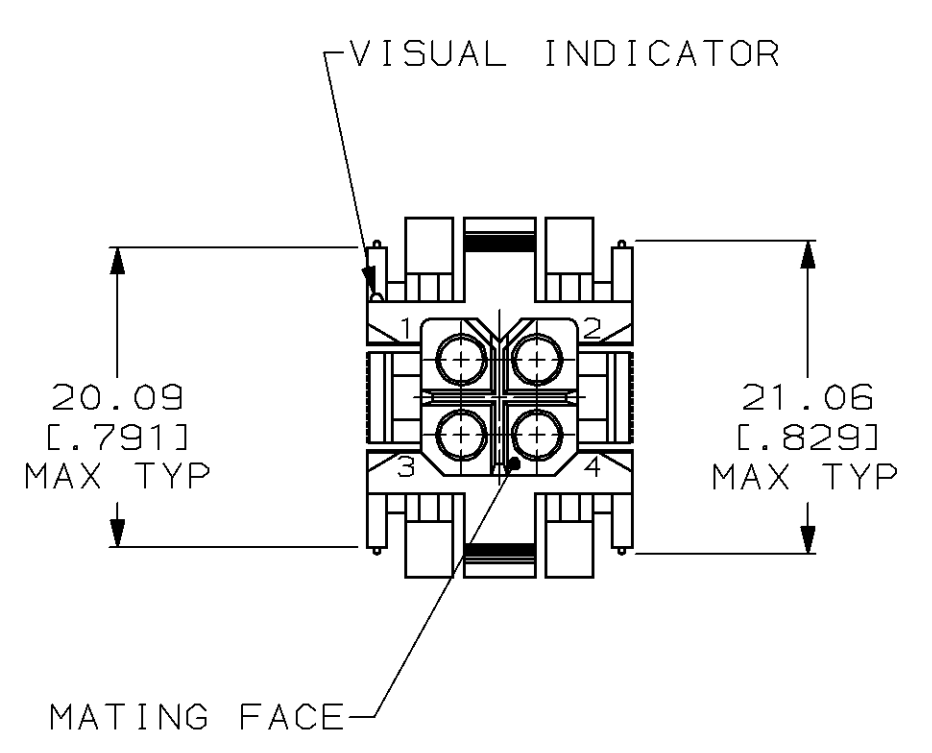
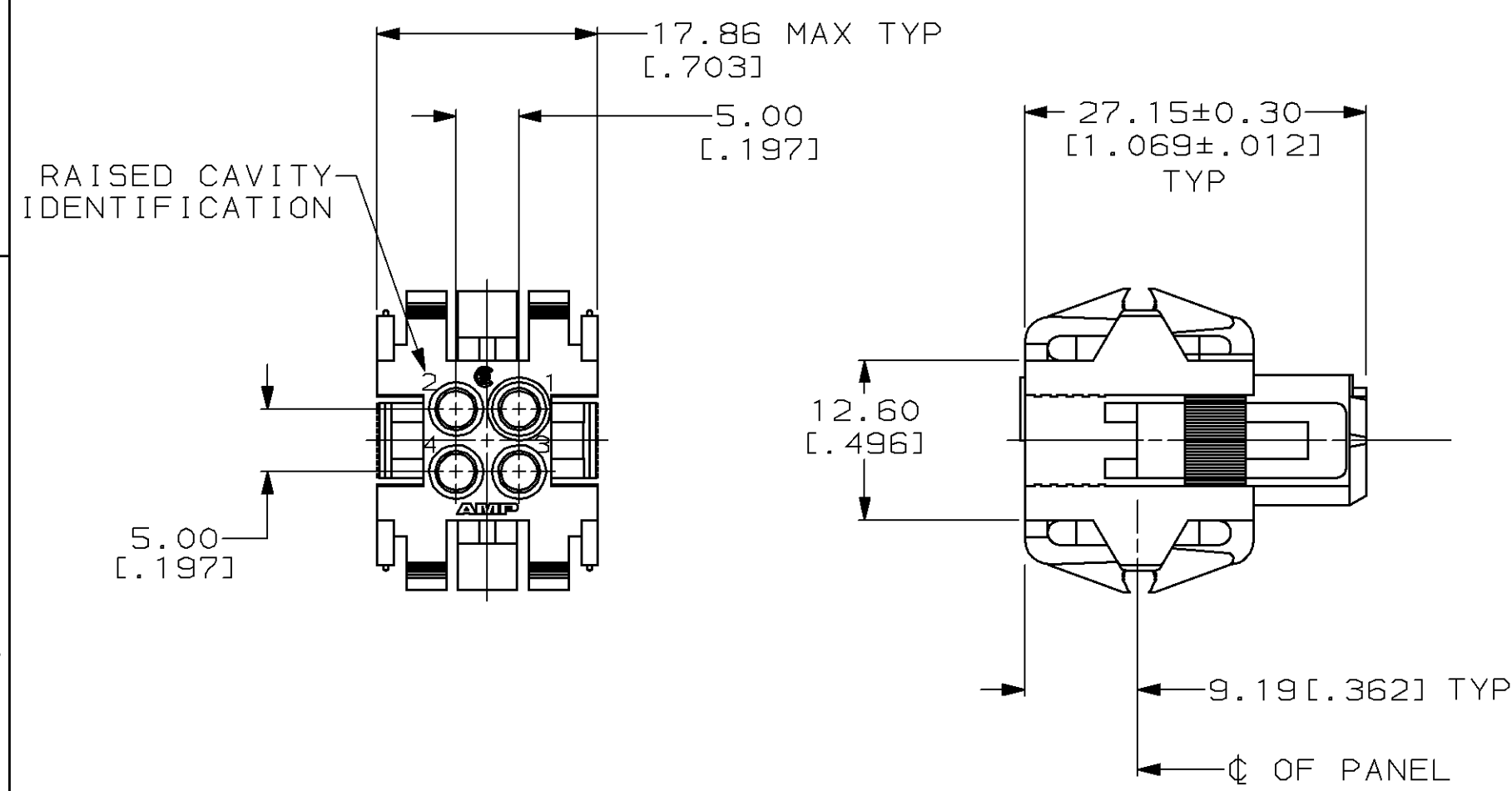


LOC	DIST	P	F	ZONE	LTR	DESCRIPTION	DATE	APPD
FT	13				S	REDRAWN & REVISED PER ECN BD6668	08/26/92	-
					T	REV PER EC 0020-250-94	03/24/94	AT
					U	OBSOLETE -2 PER EC 0020-596-96	09 JAN 97	MM
					V	REACTIVATED -2 & REV PER EC 061C-25-98	11 MAR 98	MM



PANEL CUTOUT

- PANEL RETENTION MECHANISM ACCOMMODATES PANEL THICKNESSES FROM 0.76 [0.030] TO 2.29 [0.090].
- SAME AS 207015-1 EXCEPT: ROUNDED EDGES ON THE OUTSIDE OF THE HOUSING AND A 45° ANGLE ON THE OUTSIDE OF THE HOUSING BY THE LOCKING LATCHES, REF 928095.

DO NOT SCALE PRINT. UNLESS SPECIFIED DIMENSIONS IN mm [INCHES] TOLERANCES ON:		DR 08/26/92 W.LENKER		AMP Incorporated Harrisburg, PA 17105-3608	
2 PLC DEC ± 0.25 [0.010]		CHK 8-31-92 R.STONE			
3 PLC DEC ± -		APPD 9-2-92 A.TRAVIS		NAME	
ANGLES ± -		APPD 9-3-92 C.ROHDE		HOUSING, PLUG, 4 POSITION, METRIMATE	
MATERIAL		PRODUCT SPEC			
NYLON, COLOR: RED		108-10033		SIZE	
FINISH		APPLICATION SPEC		CAGE CODE	
-		-		00779	
-		WEIGHT		DRAWING NO	
-		-		G=207015	
-		SCALE		SHEET	
-		2:1		1 OF 1	

THIS DRAWING IS A CONTROLLED DOCUMENT FOR AMP INCORPORATED. IT IS SUBJECT TO CHANGE AND THE CONTROLLING ENGINEERING ORGANIZATION SHOULD BE CONTACTED FOR THE LATEST REVISION.