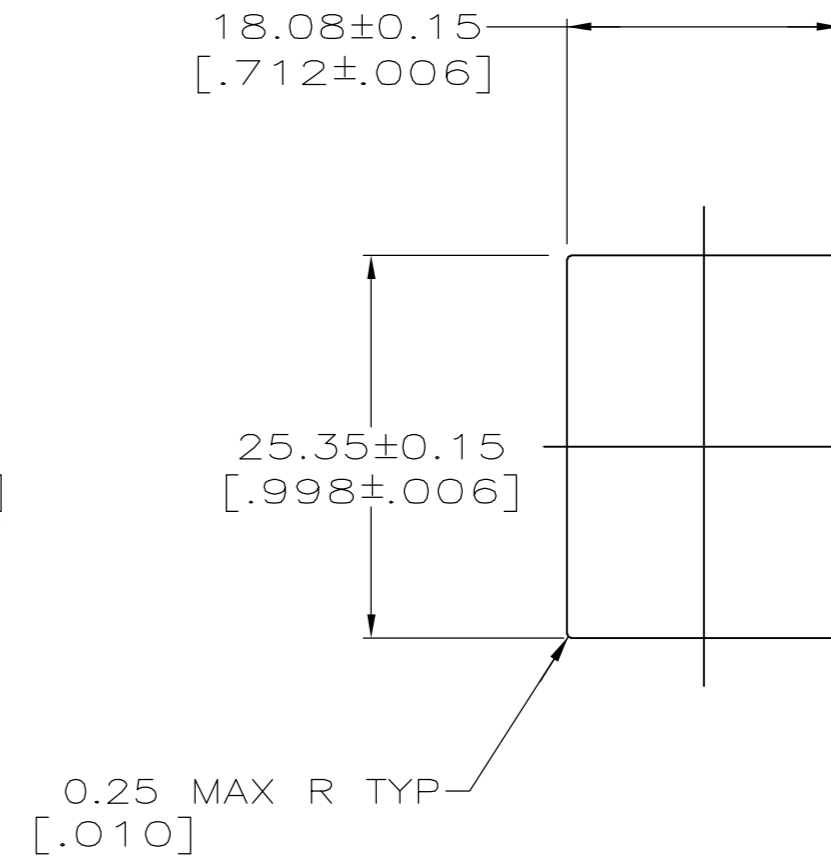
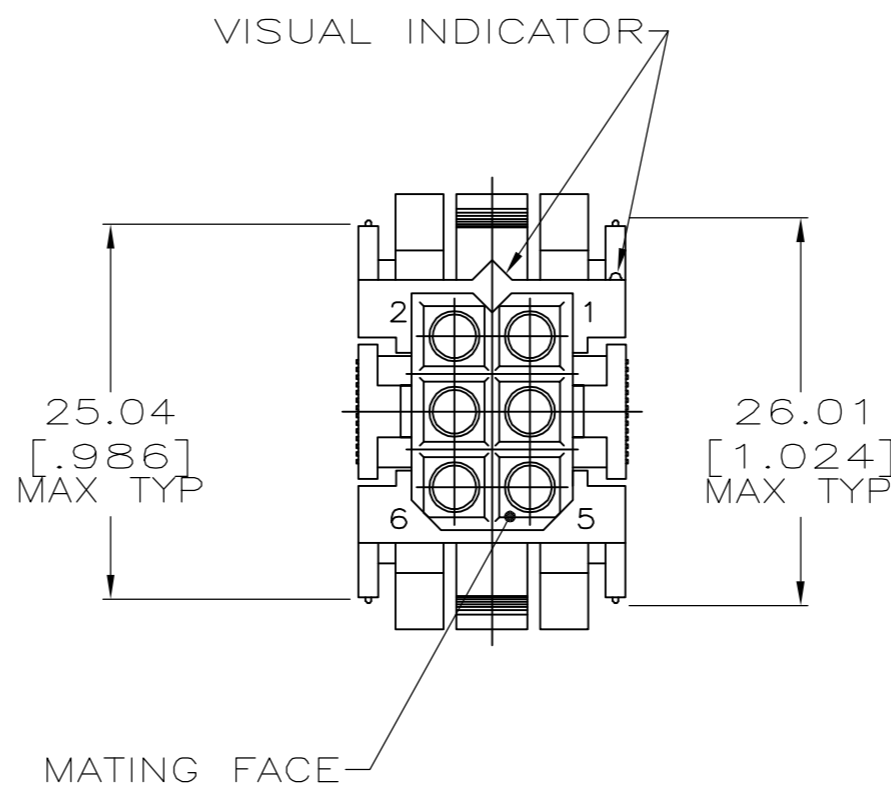
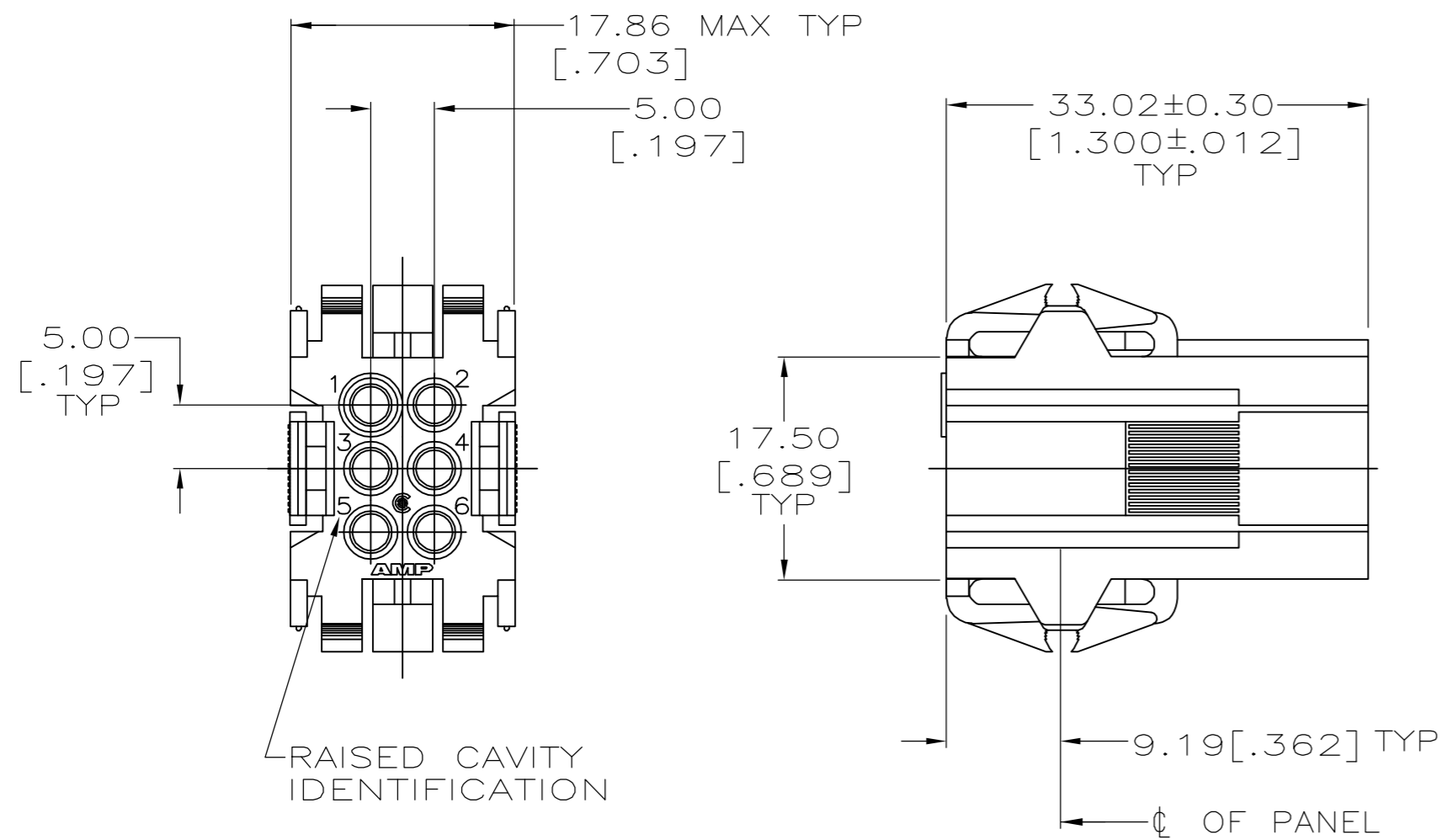


THIS DRAWING IS UNPUBLISHED. RELEASED FOR PUBLICATION
 © COPYRIGHT BY TYCO ELECTRONICS CORPORATION. ALL RIGHTS RESERVED.

| LOC | | DIST | | REVISIONS | | | |
|-----|-----|---------------------------|--|-----------|-----|------|--|
| P | LTR | DESCRIPTION | | DATE | DWN | APVD | |
| | R1 | REVISED PER ECO-07-001869 | | 2/2/07 | SS | GS | |



- 1. PANEL RETENTION MECHANISM ACCOMMODATES PANEL THICKNESSES FROM 0.76[.030] TO 2.29[.090].
- 2. SAME AS 207153-1 EXCEPT: ROUNDED EDGES ON THE OUTSIDE OF THE HOUSING AND A 45° ANGLE ON THE OUTSIDE OF THE HOUSING BY THE LOCKING LATCHES, REF 927673.
- 3. OBSOLETE PART NUMBER.

| | | |
|-------------|---|----------|
| 3 | 2 | 207153-2 |
| | | 207153-1 |
| PART NUMBER | | |

| | | | | |
|---|--|-----------------------------|---|--------------------|
| THIS DRAWING IS A CONTROLLED DOCUMENT. | | DWN W.LENKER 08/26/92 | Tyco Electronics Corporation Harrisburg, PA 17105-3608 | |
| DIMENSIONS: mm [INCHES] | | CHK R.STONE 8-31-92 | | |
| TOLERANCES UNLESS OTHERWISE SPECIFIED: | | APVD - | NAME HOUSING, RECEPTACLE, 6 POSITION, METRIMATE | |
| 0 PLC ± - 1 PLC ± - 2 PLC ± 0.25 [.010] 3 PLC ± - 4 PLC ± - ANGLES ± - | | PRODUCT SPEC 108-10033 | SIZE A2 | |
| MATERIAL NYLON, COLOR: RED | | FINISH - | APPLICATION SPEC - | CAGE CODE 00779 |
| | | WEIGHT - | DRAWING NO C=207153 | RESTRICTED TO - |
| | | CUSTOMER DRAWING | SCALE 2:1 | SHEET 1 of 1 |
| | | | REV R1 | |