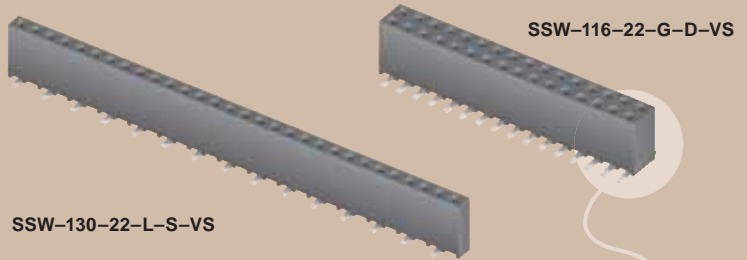




(2,54mm) .100"

SSW SERIES



SMT .025" SQ POST SOCKET

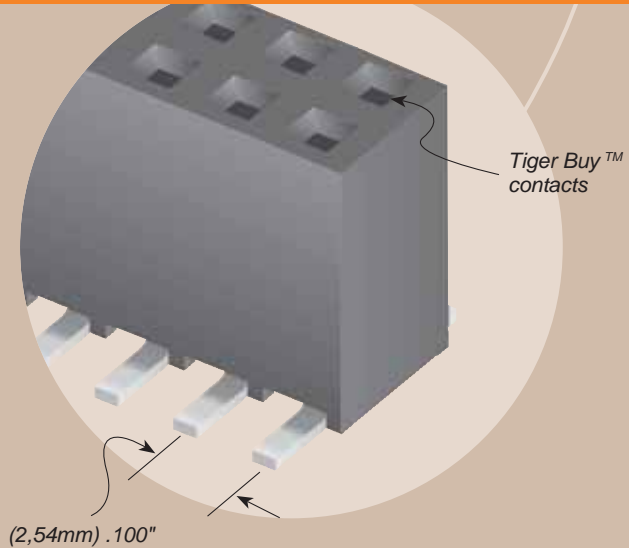
SPECIFICATIONS

For complete specifications and recommended PCB layouts see www.samtec.com?SSW

- Insulator Material:** Black LCP
- Contact Material:** Phosphor Bronze
- Plating:** Au or Sn over 50µ" (1,27µm) Ni
- Operating Temp Range:** -55°C to +125°C with Gold
-55°C to +105°C with Tin
- Contact Resistance:** 10 mΩ max
- Insertion Depth:** (3,68mm) .145" to (6,35mm) .250"
- Insertion Force:** (Single contact only) 3oz (0,83N) avg.
- Withdrawal Force:** (Single contact only) 2.6oz (0,72N) avg.
- Max Cycles:** 100 with 10µ" (0,25µm) Au
- RoHS Compliant:** Yes



Mates With:
TSW, MTSW, MTLW,
EW, ZW, TSS, HTSS,
ZSS, TSM, TSSH, DW, HW

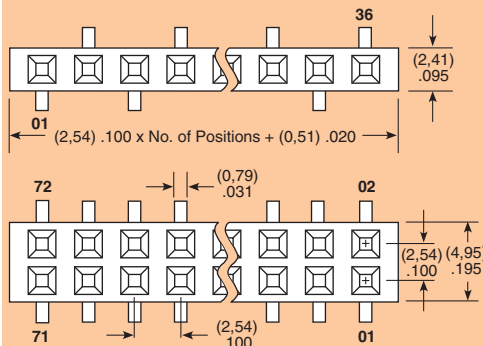


| CURRENT RATING | |
|----------------|--------------------|
| AMBIENT TEMP | SSW mated with TSW |
| 20°C | 6.9A |
| 40°C | 6.1A |
| 60°C | 5.3A |
| 95°C | 3.5A |

6 POSITIONS (2x3) POWERED

Processing:
Lead-Free Solderable: Yes
SMT Lead Coplanarity: (0,10mm) .004" max

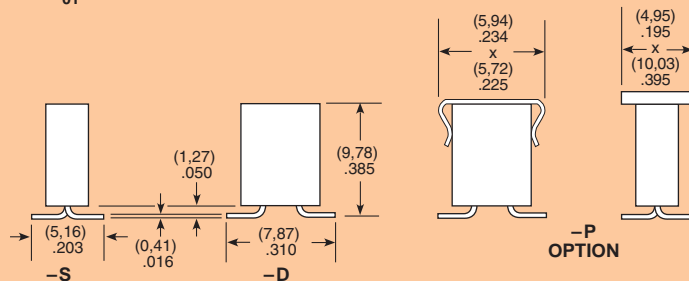
| | | | | | | | |
|-------------------|----------|-------------------------|-----------|--|---|---|---------------------|
| SSW | 1 | NO. PINS PER ROW | 22 | PLATING OPTION | ROW OPTION | VS | OTHER OPTION |
| 02 thru 36 | | | | <p>-F = Gold flash on contact, Matte Tin on tail</p> <p>-L = 10µ" (0,25µm) Gold on contact, Matte Tin on tail</p> <p>-G = 20µ" (0,51µm) Gold on contact, Gold flash on tail</p> | <p>-S = Single Row</p> <p>-D = Double Row</p> | <p>-“XX” = Polarized Position</p> <p>-K = (6,50mm) .256" DIA Polyimide film Pick & Place Pad (05 positions min.)</p> <p>-P = Pick & Place Pad (05 positions min.)</p> <p>-TR = Tape & Reel Packaging (-02 thru -28)</p> | |



TAPE & REEL AVAILABILITY

No tooling charges.
Minimum order is the lesser of a full reel quantity or 125 pieces.
Order any quantity above minimum.
In-house design, manufacture.
Quick turn-around.

Call Samtec for specifications and ordering information.

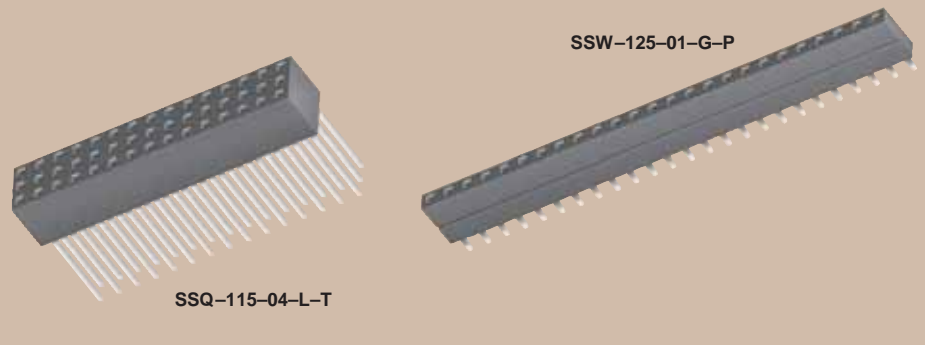


Note: Other Gold plating options available. Contact Samtec.

Note: Some lengths, styles and options are non-standard, non-returnable.

Due to technical progress, all designs, specifications and components are subject to change without notice.

WWW.SAMTEC.COM



(2,54mm) .100"

SSW, SSQ SERIES

THROUGH-HOLE .025" SQ POST SOCKET

SPECIFICATIONS

For complete specifications see www.samtec.com?SSW or www.samtec.com?SSQ

Insulator Material:

Black Liquid Crystal Polymer (-S & -D) or Black High Temperature Thermoplastic (-T)

Contact Material:

Phosphor Bronze

Plating:

Au or Sn over 50µ" (1.27µm) Ni

Operating Temp Range:

-55°C to +125°C with Gold

-55°C to +105°C with Tin

Contact Resistance:

10 mΩ max

Insertion Depth:

(3,68mm) .145" to (6,35mm) .250"

Insertion Force:

(Single contact only)

(-S plating)

Standard= 6oz (1,67N) avg (0,64mm) .025" SQ pin);

SSW Low Insertion Force= 3oz (0,83N) avg

SSQ Low Insertion Force= 3.3oz (0,92N) avg

Normal Force:

Standard= 125grams (4.4N)

Withdrawal Force:

(Single contact only)

(-S plating)

Standard= 5oz (1,39N) avg (0,64mm) .025" SQ pin);

SSW Low Insertion Force= 2.6oz (0,72N) avg

SSQ Low Insertion Force= 2.9oz (0,81N) avg

Max Cycles:

100 with 10µ" (0,25µm) Au

Voltage Rating:

550 VAC mated with TSW

RoHS Compliant:

Yes: Single & Double Row

No: Triple Row

Lead-Free Solderable:

Yes



Mates With:
TSW, MTSW, MTLW,
LCW, EW, ZW, TSS,
ZSS, TSM, TSSH, HTSS



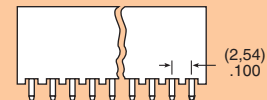
TYPE STRIP

SSW = Solder Tail

SSQ = Square Tail

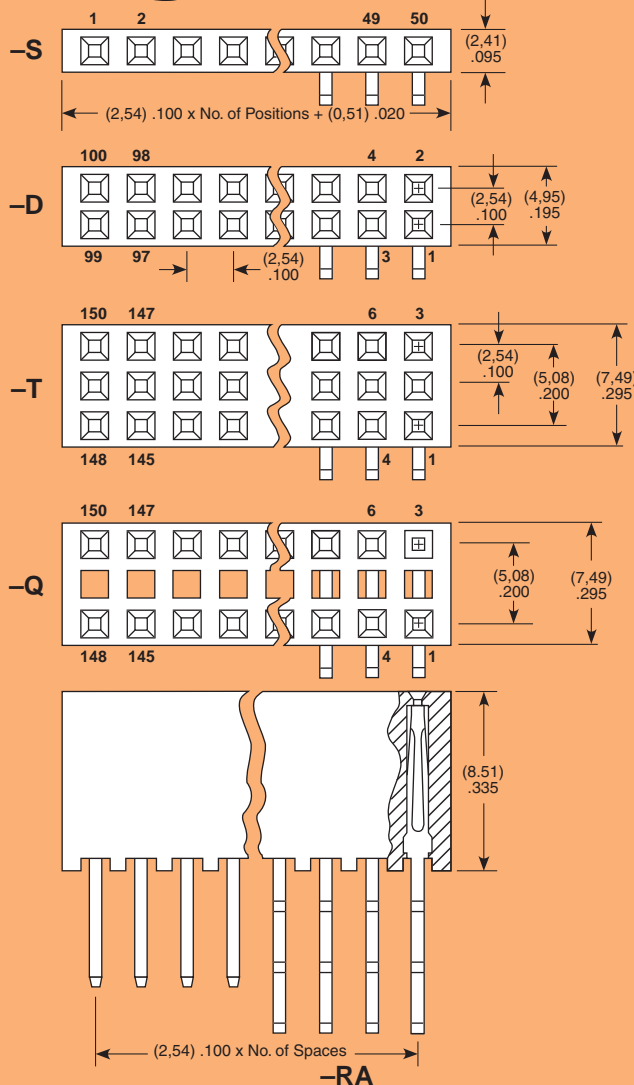
PIN CENTERS

-1 = (2,54mm) .100" Centers



NO. PINS PER ROW

01 thru 50

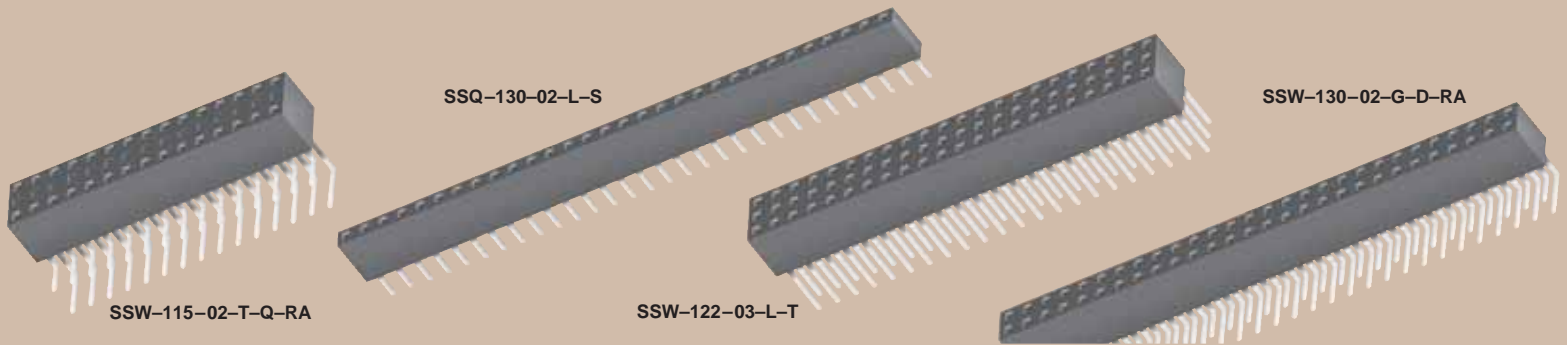


| CURRENT RATING | | |
|---------------------------|--------------------|--------------------|
| AMBIENT TEMP | TSW mated with SSQ | TSW mated with SSW |
| 20°C | 7.6A | 6.9A |
| 40°C | 6.9A | 6.1A |
| 60°C | 5.9A | 5.3A |
| 95°C | 3.9A | 3.5A |
| 6 POSITIONS (2x3) POWERED | | |

Note:
Some lengths, styles and options are non-standard, non-returnable.

Due to technical progress, all designs, specifications and components are subject to change without notice.

WWW.SAMTEC.COM



LEAD STYLE

PLATING OPTION

ROW OPTION

TAIL OPTION

OTHER OPTION

-F

= Gold flash on contact,
Matte Tin on tail

-L

= 10µ" (0,25µm) Gold on contact,
Matte Tin on tail

-G

= 20µ" (0,51µm) Gold on contact,
Gold flash on tail

-T

= Matte Tin
(-T N/A on LIF contacts)

-S

= Single Row

-P

= Single Row
(Notched to mate with LCW)
36 pins max

-D

= Double Row

-T

= Triple Row

-Q

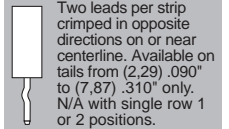
= Double Row
.200" (5,08mm) row space
(Outer rows filled only)

-RA

= Right Angle
(Leave blank for straight pin version)

-LL

= Locking Lead



-"XXX"

= Polarized
(Specify "XXX" as position number)

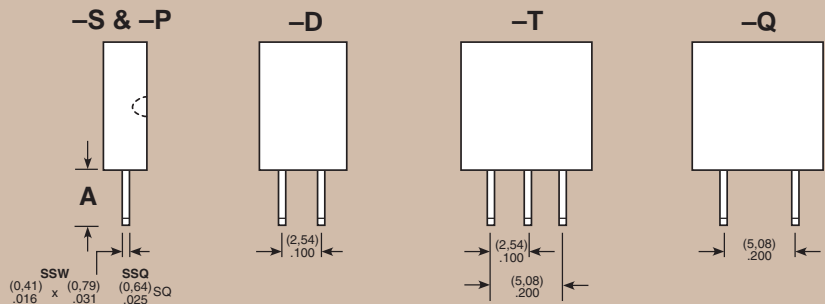
Note: Other Gold plating options available. Contact Samtec.

Straight Pin Versions (Specify "LEAD STYLE" from chart)

| LEAD STYLE | | SINGLE DOUBLE OR TRIPLE A |
|--------------------------|----------------------|------------------------------|
| Standard Insertion Force | Low Insertion Force* | |
| -01 | -21 | (2,64) .104 |
| -02 | -22 | (4,93) .194 |
| -03 | -23 | (10,00) .394 |
| -04 | -24 | (14,83) .584 |
| -06** | N/A | (3,15) .124 |

* LIF N/A with Tin Plating

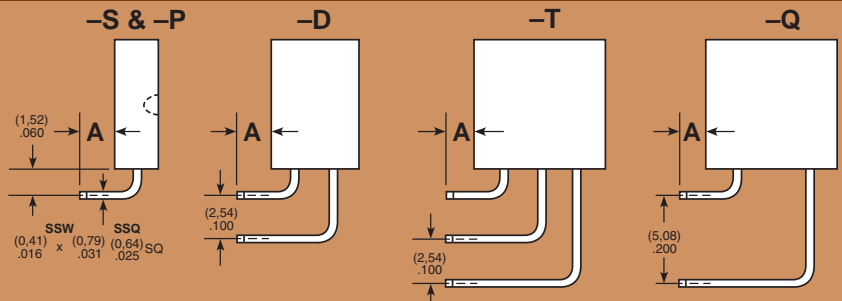
**Style -06 N/A with SSQ



Right Angle Versions (Specify "LEAD STYLE" from chart)

| LEAD STYLE | | SINGLE (-S & -P) A | DOUBLE (-D) A | TRIPLE (-T & -Q) A |
|------------|-----|-----------------------|------------------|-----------------------|
| -02 | -22 | (2,54) .100 | (2,54) .100 | (2,54) .100 |
| -03 | -23 | (7,62) .300 | (7,62) .300 | N/A |
| -04 | -24 | (12,45) .490 | N/A | N/A |

*LIF N/A with Tin Plating



Due to technical progress, all designs, specifications and components are subject to change without notice.

WWW.SAMTEC.COM