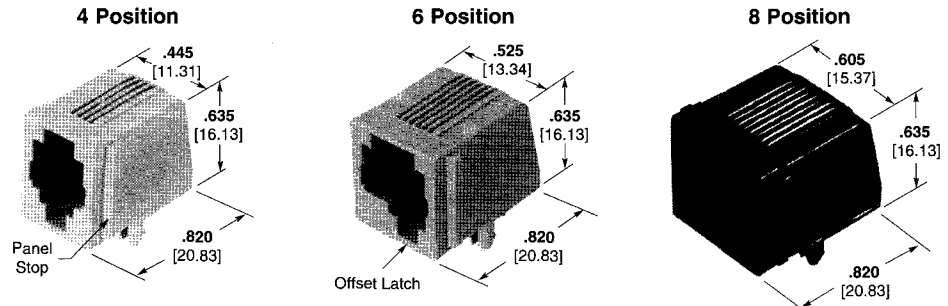


Single Port Modular Jacks (Continued)

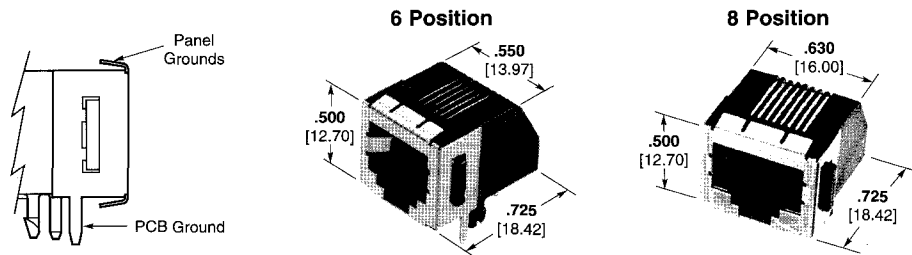
Side Entry (RA), Thru-Hole



Part Number	Positions/Contacts	LEDs	Shielded	Performance	Panel Stops	Inverted	Ground Options
215875-1	4/4	Without	No	Cat 3	Without	No	Without
2-215875-1	4/4	Without	No	Cat 3	Without	No	Without
520249-2	4/4	Without	No	Cat 3	With	No	Without
1-440050-1	6/4	Without	No	Cat 3	Without	No	Without
215876-2	6/4	Without	No	Cat 3	Without	No	Without
555140-2	6/4	Without	Yes	Cat 3	With	No	Panel and PCB
555163-2	6/4	Without	No	Cat 3	With	No	Without
1-215876-3	6/6	Without	No	Cat 3	Without	No	Without
215876-1	6/6	Without	No	Cat 3	N/A	No	Without
520250-3	6/6	Without	No	Cat 3	With	No	Without
555003-1	6/6	Without	No	Cat 3	With	No	Without
555140-1	6/6	Without	Yes	Cat 3	With	No	Panel and PCB
555154-1	6/6	Without	Yes	Cat 3	With	No	PCB Ground
555163-1	6/6	Without	No	Cat 3	With	No	Without
555165-1	6/6	Without	No	Cat 3	Without	No	Without
106066-2	8/8	Without	Yes	Cat 3	Without	No	Panel and PCB
1116062-1	8/8	Without	Yes	Cat 5	Without	No	Panel and PCB
1116503-1	8/8	Without	Yes	Cat 5	Without	No	PCB Ground
1116526-1	8/8	Without	Yes	Cat 5	Without	No	PCB Ground
1-215877-3	8/8	Without	No	Cat 3	Without	No	Without

Note: Consult Tyco Electronics Sales Representative for additional Part Numbers and features differences (tail length, LED color, IRR, etc.)

Low Profile, Face Shield



Part Number	Positions/Contacts	LEDs	Shielded	Performance	Panel Stops	Inverted	Ground Options
555162-1	8/8	Without	No	Cat 3	With	No	Without
555164-1	8/8	Without	No	Cat 3	Without	No	Without
1-406299-1	8/8	Without	Yes	Cat 5	Without	No	Panel and PCB
1-440376-1	8/8	Without	Yes	Cat 3	Without	No	Panel and PCB
1470340-1	8/8	Without	Yes	Cat 3	Without	No	PCB Ground
215877-1	8/8	Without	No	Cat 3	Without	No	Without
2-215877-1	8/8	Without	No	Cat 3	Without	No	Without
2-215878-1	8/8	Without	No	Cat 3	Without	No	Without
2-338556-1	8/8	Without	Yes	Cat 3	Without	No	Panel and PCB
3-338556-1	8/8	Without	Yes	Cat 3	Without	No	Panel and PCB
406217-1	8/8	Without	Yes	Cat 5	Without	No	Panel and PCB
406296-1	8/8	Without	Yes	Cat 5	Without	No	Panel and PCB

Note: Consult Tyco Electronics Sales Representative for additional Part Numbers and features differences (tail length, LED color, IRR, etc.)