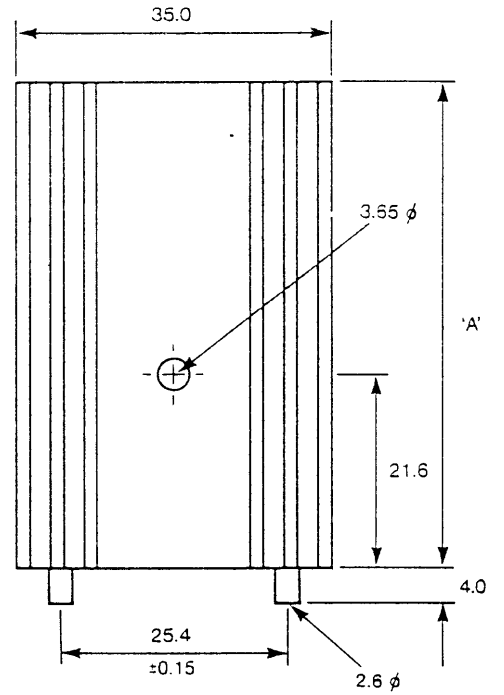
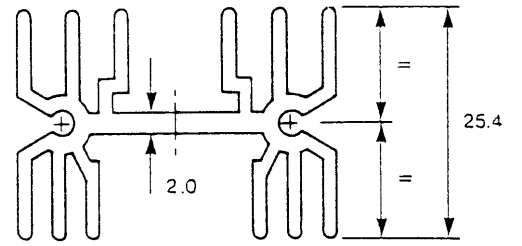
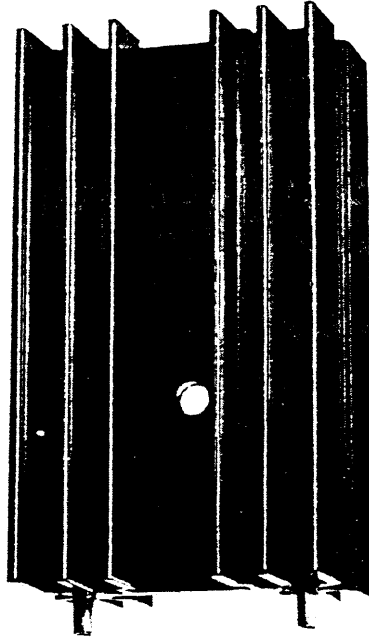
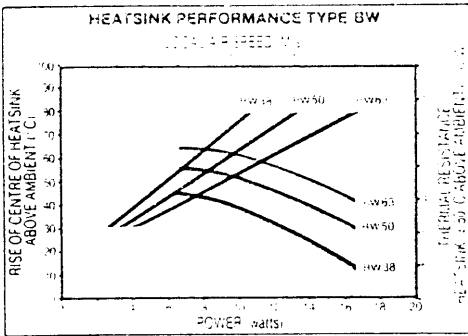


BW Series – TO218 etc.

High Power solderable heatsink for TO218 etc. See also the SW series.

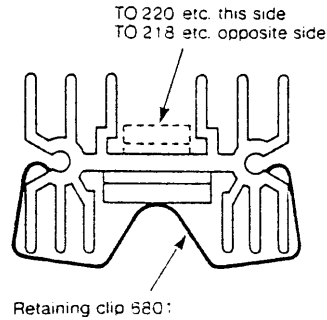
Available without solderable pins for screw mounting.

Also available without fixing hole for use with retaining clip 6801



Finish: Black anodised with solderable pins.

Length 'A'	Part No.	Hole	Thermal Rating $\Theta = ^\circ\text{C}/\text{W}$
38	BW 38-2	No	7.2
	BW 38-4	Yes	
50	BW 50-2	No	5.8
	BW 50-4	Yes	
63	BW 63-2	No	4.7
	BW 63-4	Yes	



Use retaining clip 6801 with -1 and -2 variants.