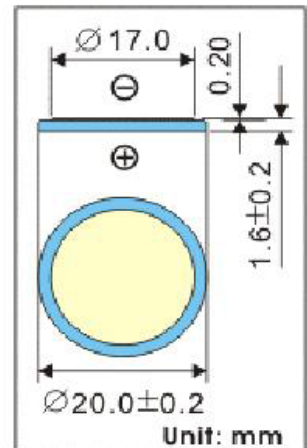
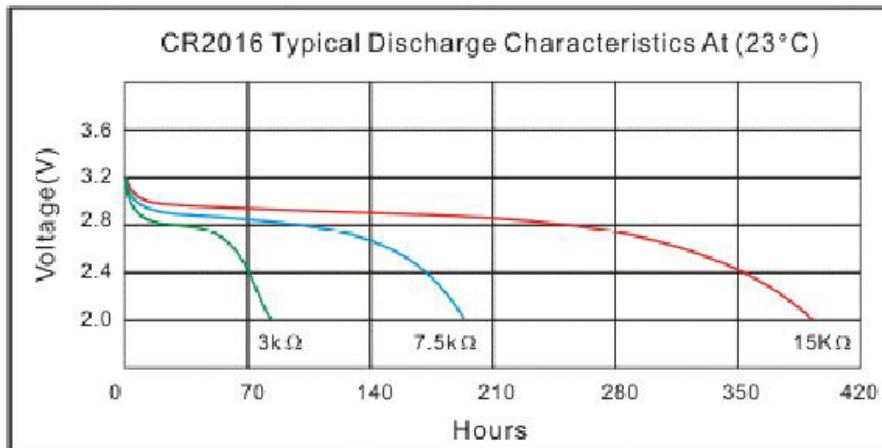


1. BASIC SPECIFICATION:

Model:	CR2016
Nominal Voltage:	3.0 Volts
Nominal Capacity:	75mAh (@0.4mA Discharge Current to 2.0V Cut-off, +23 °C)
Standard Discharge Current:	0.4mA
Maximum recommended current under continuous discharge:	2mA
Maximum recommended current under pulse discharge:	10mA
Operational temperature range:	-20 °C ~ +60 °C
Nominal Weight:	1.6g
minimum discharge time at 3kOhm load (E.V. 2,0V):	62h

3. ELECTRICAL CHARACTERISTICS



UNTAGGED BATTERY DIMENSIONS

	specifications for model/type:	CR 2016 Lithium battery
	Ansmann drawing number / part number:	5020082
	drawn by / date:	Gramlich / 22.03.2005