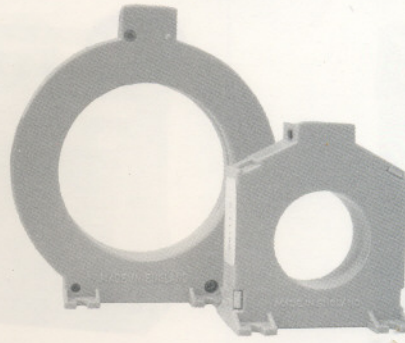


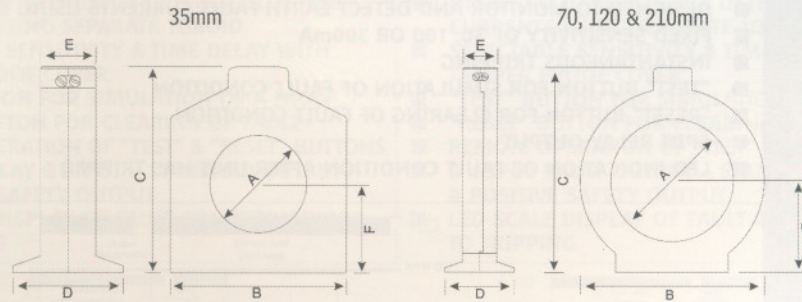
TOROIDS



TYPE

BZCT

Dimensions:



Toroid type	AØ	B	C	D	E	F	Weight
BZCT035	35	64	74	40	20	32	77
BZCT070	70	105	117	40	20	53	135
BZCT120	120	155	170	40	20	80	265
BZCT210	270	270	270	-	25	134	1350

Dimensions in mm. Weight in grams. (approx.)

Current ratio:

1/1000

Maximum permissible current:

1 kA continuous
5kA 1.5s
100kA 0.05s

Distance between toroid and relay:

50 metres (max.)

Ambient Temp:

Grey ABS (210mm version, resin coated)

Mounting option:

Panel mount only using fixing slots provided (210mm supplied with separate mounting brackets)

Terminal conductor size:

≤ 1.5mm² stranded
≤ 2.5mm² solid

Note:

210mm Toroid incorporates 2 terminals each with a 5mm fixing hole

Approvals:

CE Compliant

Note: The 120 and 210mm toroids must not be used on any ELRV or ELRF relays which have sensitivity settings (IΔn) of 300mA or less