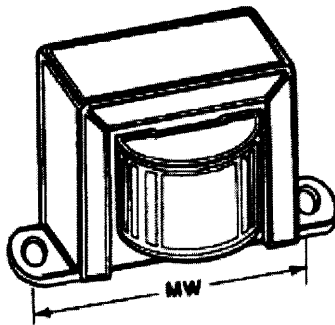


(6003)

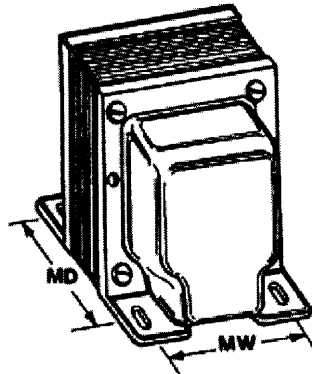
(de00313)



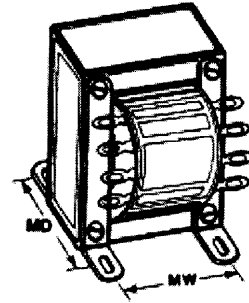
## ISOLATION TRANSFORMERS, WITH STATIC SHIELD, 50/60Hz



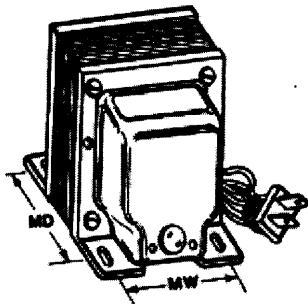
Case X



Case A



Case U



Case M

Units with "M" suffix have 2-wire plug, cord and socket; "MG" suffix have 3-wire. \*\*60Hz only.

Stock No.	Type	Power VA	Primary Volts	Secondary		Case Type	Dimensions	
				Volts	Amps		MW	MD
03F1017	N-48X	15	115	115	0.130	X	2.813"	...
03F750	N-51X**	35	115	115	0.300	X	3.125"	...
03F603	N68X	50	115/230	115	0.435	X	3.125"	...
03F751	N-53M	85	115	115	0.740	M	2.250"	2.125"
03F604	N-54M	150	115	115	1.300	M	2.500"	3.000"
03F605	N-67A	150	115/230	115	1.300	A	2.500"	3.000"
02F541	N-55M	250	115	115	2.170	M	3.000"	3.875"
05F1361	N-66A	250	115/230	115	2.170	A	3.000"	3.625"
02F542	N-57M	500	115	115	4.350	M	3.500"	5.125"

**STEP DOWN/STEP UP AUTOFORMERS 50/60 Hz**

Stock No.	Type	Power VA	Primary Volts	Secondary		Case Type	Dimensions	
				Volts	Amps		MW	MD
05F1358	N-1X	50	230	115	0.435	X	3.125"	...
02F1055	N-2X	100	230	115	0.870	X	3.563"	...
02F1054	N-6U	200	230	115	1.700	U	2.813"	2.125"
05F1359	N-4M	150	230	115	1.300	M	2.250"	2.375"
04F433	N5M	250	230	115	2.170	M	2.500"	3.000"
02F1058	N-5MG	250	230	115	2.170	M	2.500"	3.500"
02F1059	N-7MG	600	230	115	5.220	M	3.000"	3.875"
03F1015	N-7M	600	230	115	5.220	M	3.000"	3.875"
02F1062	N-11M	2000	230	115	17.400	M	3.500"	6.875"
81F2438	N150MG	150	115	230	0.650	M	2.250"	2.125"
81F2439	N250MG	250	115	230	1.100	M	2.500"	2.438"
81F2440	N-500MG	500	115	230	2.200	M	3.000"	3.625"
81F2441	N1000MG	1000	115	230	4.400	M	3.500"	4.125"

#### HOSPITAL TYPE LOW-LEAKAGE ISOLATION PLUG-IN TRANSFORMERS

Leakage current primary-to-secondary is rated less than 50 micro-amps and is measured at less than 10 micro-amps. Connections include line cord, plug and receptacle, and socket circuit breaker. UL hospital grade verified to meet federal specifications W-C 596E.

Stock No.	Type	Power VA	Primary Volts	Secondary		Test Voltage	Case Type	H × W × D
				Volts	Amps			
46F2195	N-90-MD	250	115	115	2.17	1500 VMS	M	4.625 × 3.875 × 6.125"
46F2196	N-92-MD	500	115	115	4.35	1500 VMS	M	5.344 × 4.500 × 7.000"