

A

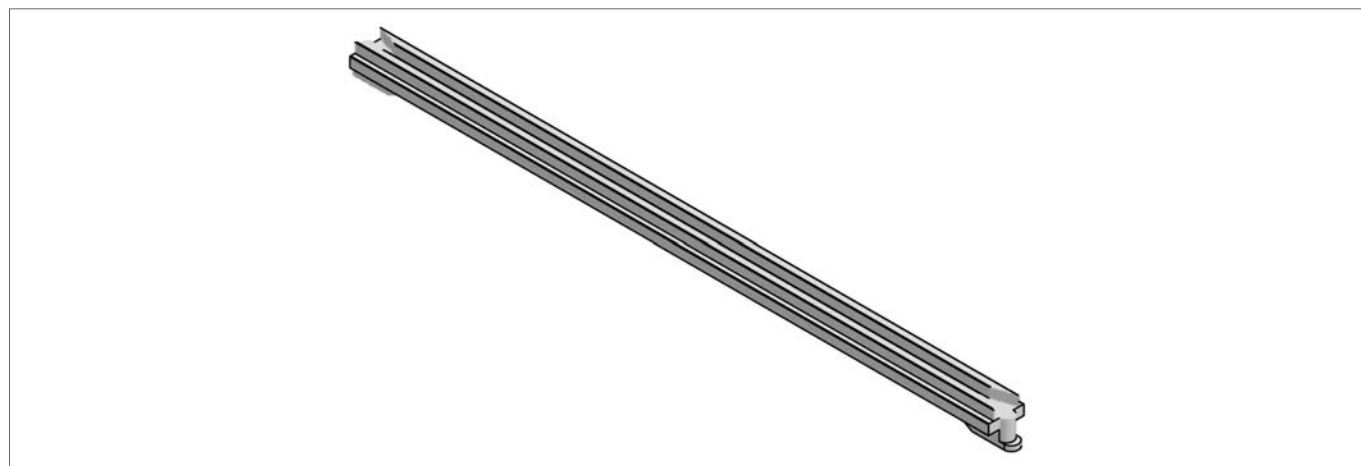
**Accessories for insert modules**

B

C

D

E

**Guide rail**


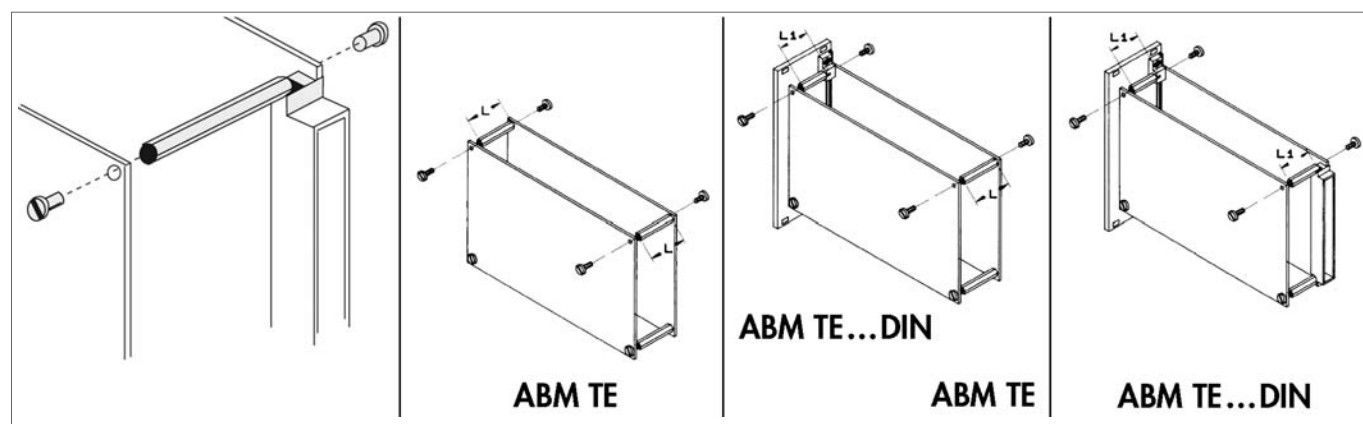
art. no.	suitable for	colour	material	dim. [mm] lengths
<b>FSB KW 160</b>	the perforated cover plate of insert module designs KP, L, W and X	grey	PBT	130

– distance sleeves for PCB's in HP grid → **f.cool ABM ...**

F

G

H


**Mounting material**

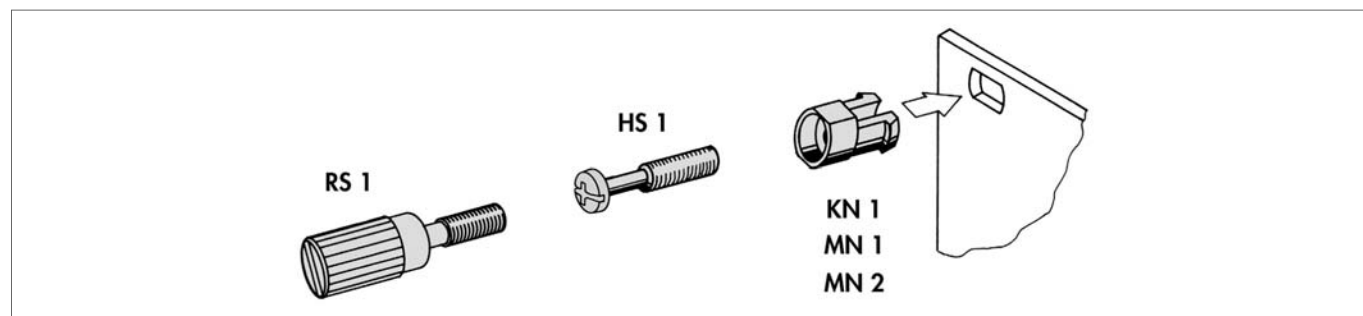
– for locking insert modules and part front panels into the subrack

I

K

L

M



art. no.	packing unit	material
<b>HS 1</b>	100 pcs./bag	brass, nickel plated
<b>KN 1</b>	100 pcs./bag	polyamid
<b>MN 1</b>	10 pcs./bag	brass, nickel plated
<b>MN 2</b>	10 pcs./bag	brass, nickel plated
<b>RS 1</b>	100 pcs./bag	brass, nickel plated

N

**N 57**

General devices  
 Insert modules 3 U  
 Insert modules 6 U  
 3 U insert module designs

→ M 2  
 → N 41 – 45  
 → N 46 – 48  
 → N 49

6 U insert module designs  
 cable bushings  
 Front plates acc.to custom. requirem. → M 44  
 Ventilation-frames → M 44

→ N 50  
 → M 43  
 → M 44  
 → M 44