



[Custom
Molded
Rubber](#)



[Custom
Colors!!](#)

[Home](#)

[About PacTec](#)

[Contact Us](#)

Login

[Click Here to Register](#)

Username

Password

[Forget your login info?](#)

[View Cart \(0\)](#)

[Advanced Search](#)

[Connector Search](#)

News

Sign up for our latest news and new product updates!

Email:

CML912-200

External Dimensions: 11.8 x 9.3 x 2.2 in.

PCB Dimensions: 11.3 x 8.8 x 2.2 in.

Colors: Black
PC Bone

Materials: ABS-94HB
[Material Specs](#)

Components:

- Top and Bottom Covers
- Assembly Screws
- 2 Panels (Black Only)
- 4 Feet

 [Add To Cart](#)

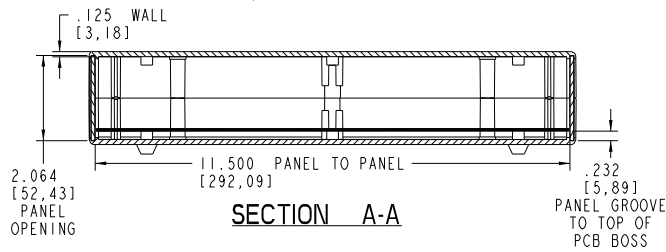
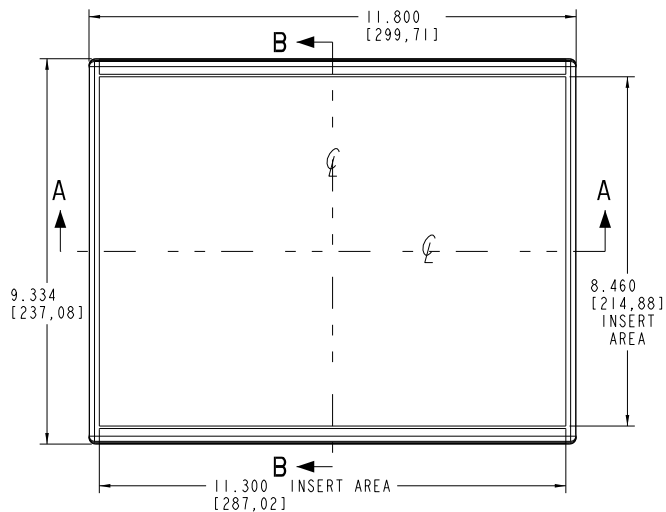


[Custom Colors!!](#)

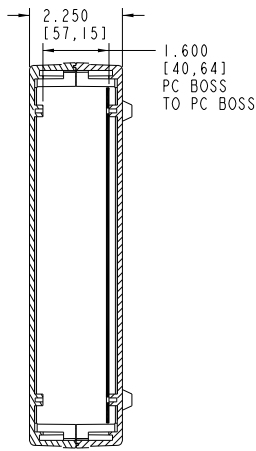
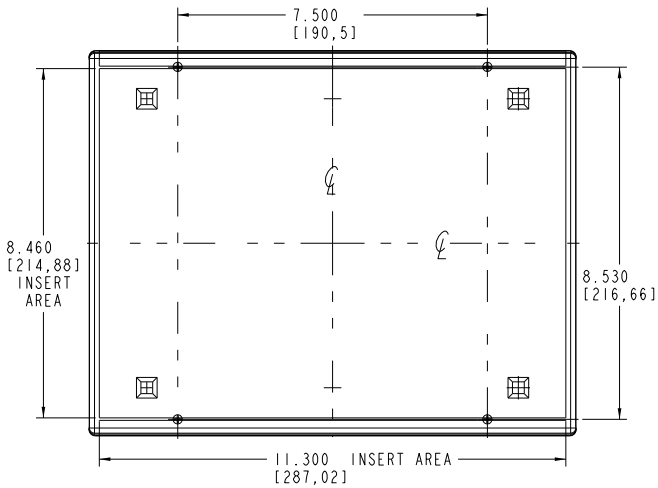


[Free Samples of
New Products Available!](#)

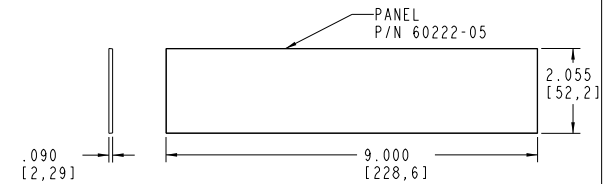
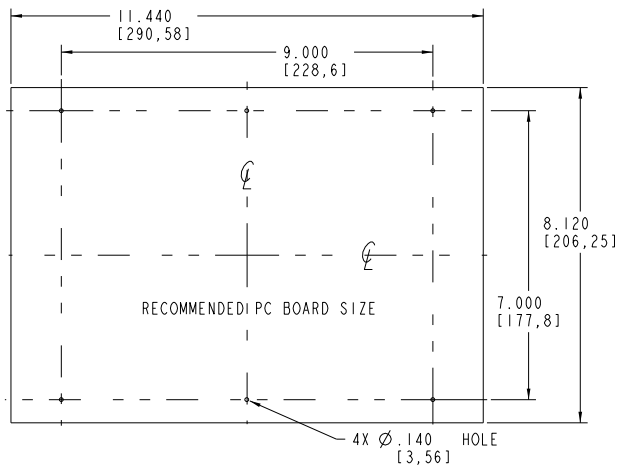
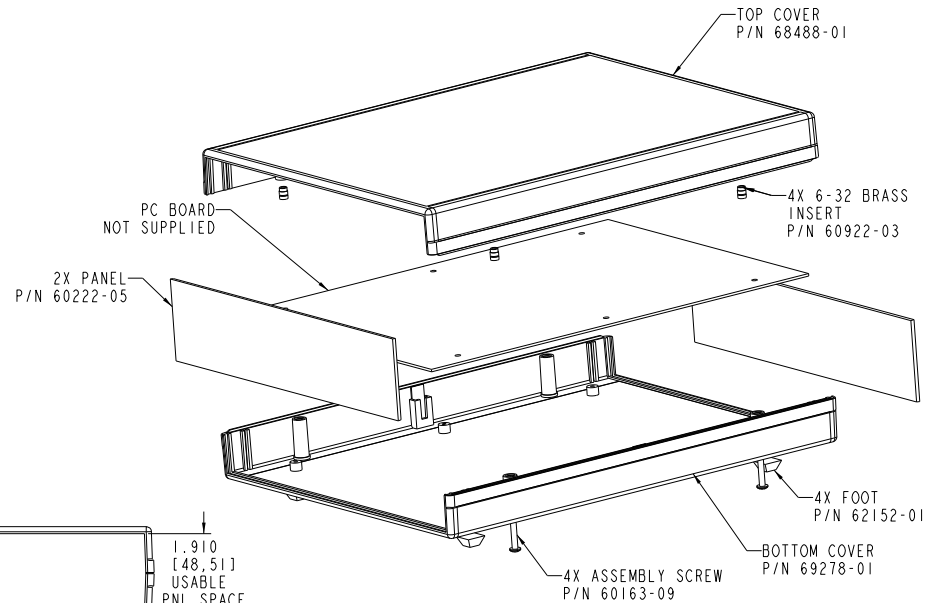




SECTION A-A



SECTION B-B



PACINTEC®
1-610-361-4200

CML 912-200

VISIT **PACINTEC®**
ON THE WORLD WIDE WEB
www.pacintecenclosures.com

COLOR / MATERIAL CODE		
COLOR	94HB	94VO
BLACK	000	028
P. C. BONE	039	060

DRAWING NUMBER	REV
69281	B