



[Custom
Molded
Rubber](#)



[Custom
Colors!!](#)

[Home](#)

[About PacTec](#)

[Contact Us](#)

Login

[Click Here to Register](#)

Username

Password

[Forget your login info?](#)

[View Cart \(0\)](#)

[Advanced Search](#)

[Connector Search](#)

News

Sign up for our latest news and new product updates!

Email:



[Custom Colors!!](#)



[Free Samples of
New Products Available!](#)



RC-23-9VB

External Dimensions: 3.1 x 2.5 x 1 in.

PCB Dimensions: 2.6 x 2 x 1 in.

Colors: Black
PC Bone

Materials: ABS-94HB
[Material Specs](#)

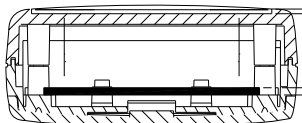
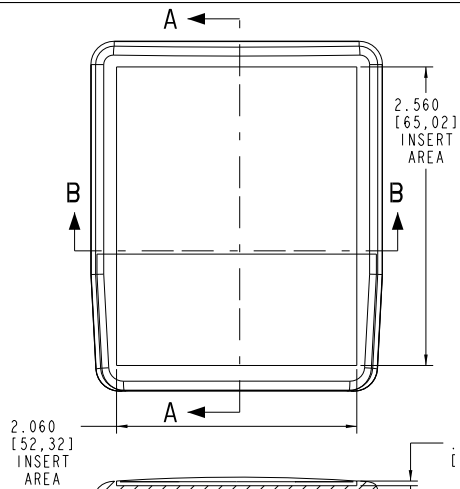
Components:

- Top and Bottom Covers
- Battery Clips
- Assembly Screws
- 1 Panel

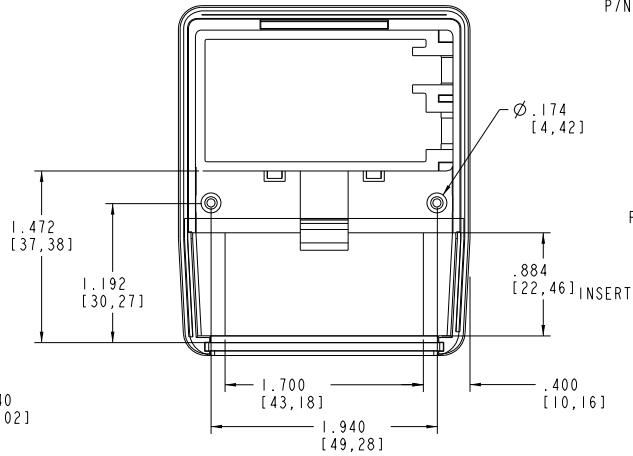
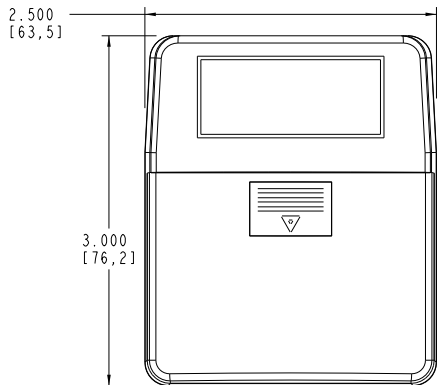
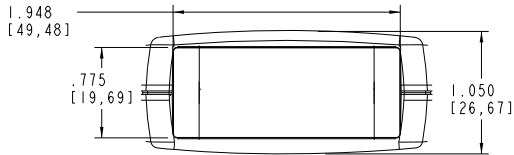
[View Drawing](#)

 [Add To Cart](#)

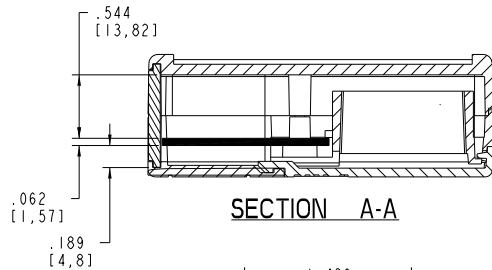




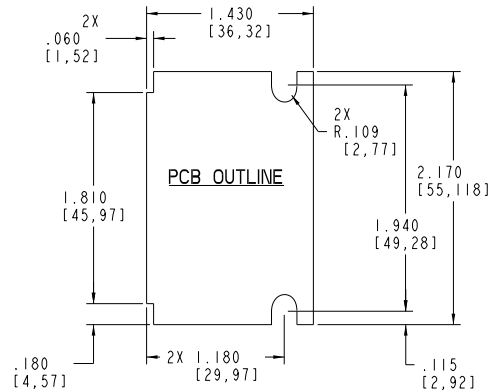
SECTION B-B



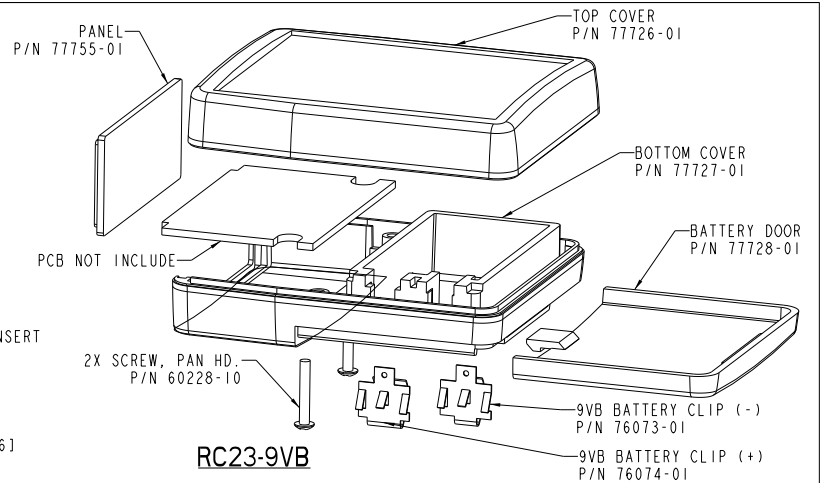
BOTTOM COVER INTERIOR VIEW



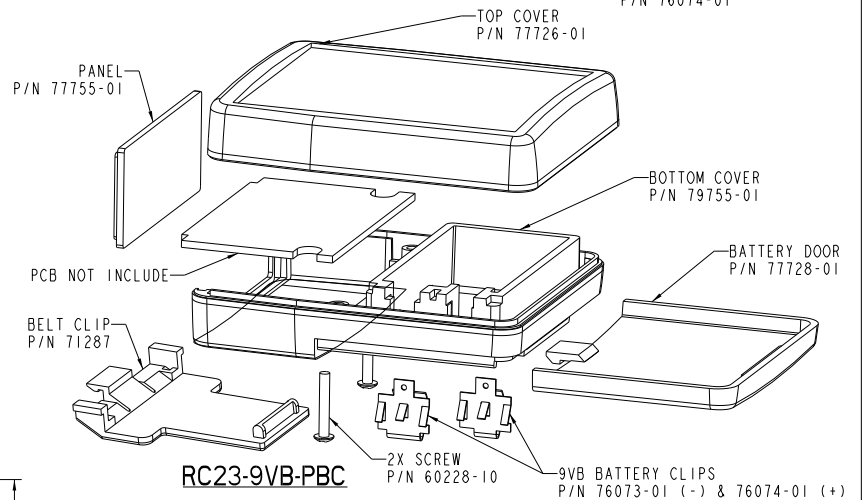
SECTION A-A



PCB OUTLINE



RC23-9VB



RC23-9VB-PBC

PACINTEC®
1-610-361-4200

RC23-9VB, RC23-9VB-PBC

VISIT **PACINTEC®**
ON THE WORLD WIDE WEB
www.pactecenlosures.com

COLOR / MATERIAL CODE		
COLOR	94HB	94VO
BLACK	000	028
P.C.BONE	039	060

DRAWING NUMBER	REV
77956	B