



[Custom
Molded
Rubber](#)



[Custom
Colors!!](#)

[Home](#)

[About PacTec](#)

[Contact Us](#)

Login

[Click Here to Register](#)

Username

Password

[Forget your login info?](#)

[View Cart \(0\)](#)

[Advanced Search](#)

[Connector Search](#)

News

Sign up for our latest news and new product updates!

Email:



[Custom Colors!!](#)



[Free Samples of
New Products Available!](#)



RF-35

External Dimensions: 5.1 x 3.3 x 0.8 in.

PCB Dimensions: 4.6 x 2.8 x 0.8 in.

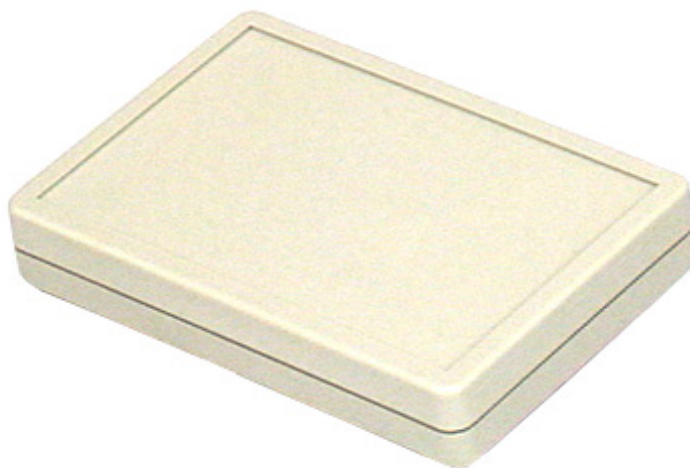
Colors: Black
PC Bone

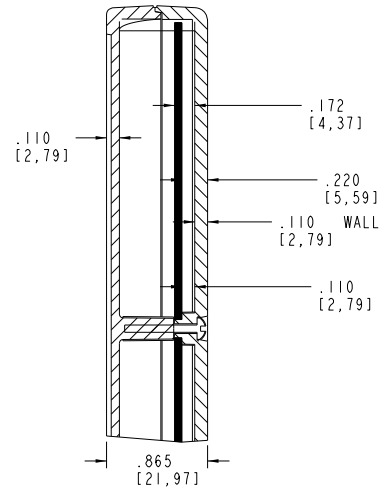
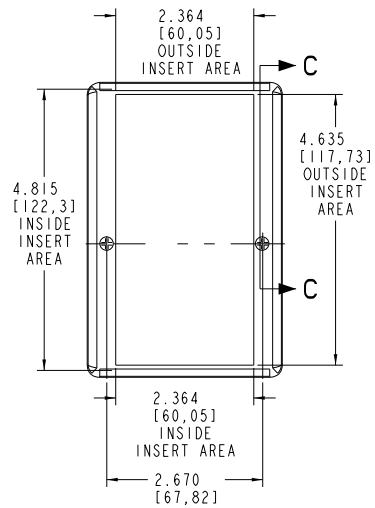
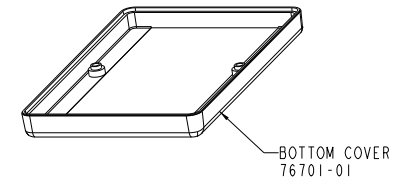
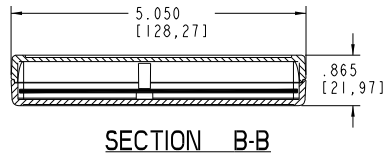
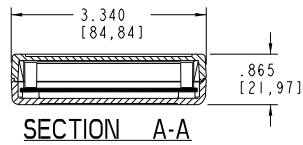
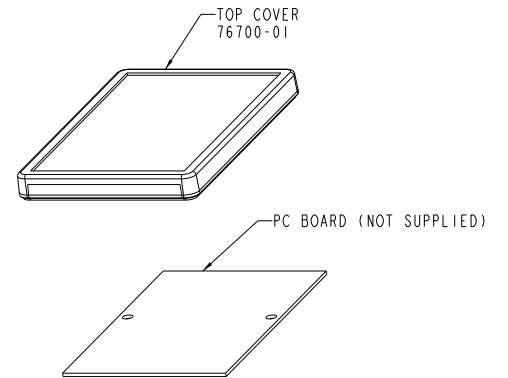
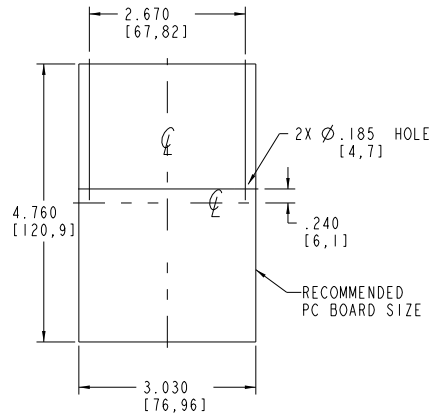
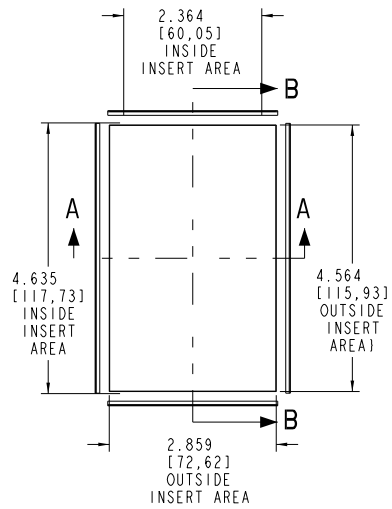
Materials: ABS-94HB
[Material Specs](#)

Components:

- Top and Bottom Covers
- Assembly Screws

 [Add To Cart](#)





2X ASSEMBLY SCREW
60227-08
#4 x 5/8

PACINTEC®
1-610-361-4200

RF35

VISIT **PACINTEC®**
ON THE WORLD WIDE WEB
www.pactecenclosures.com

COLOR / MATERIAL CODE		
COLOR	94HB	94VO
BLACK	000	028
P.C.BONE	039	060

DRAWING NUMBER	REV
77300	B