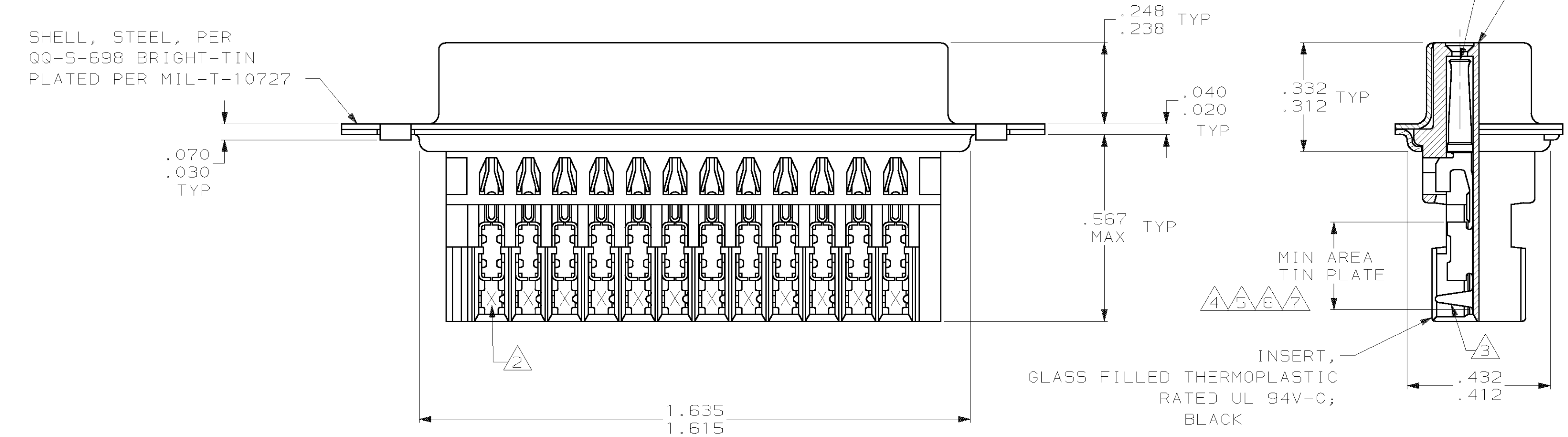
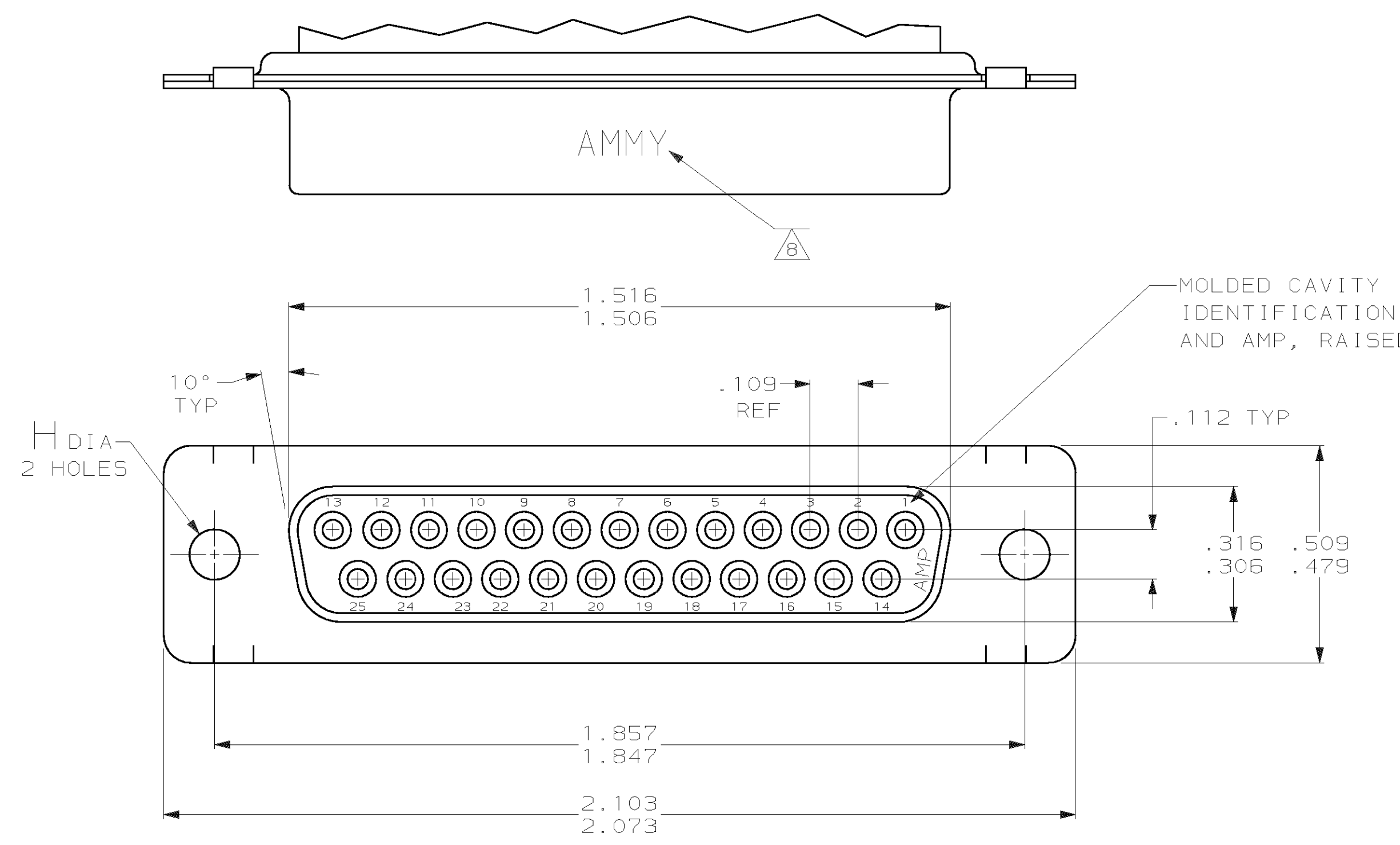


LOC	DIST	P	F	ZONE	LTR	DESCRIPTION	DATE	APPD
BD	48					REVISIONS		
					D	REDRAWN	3-19-90	-
					E	RLSE -14 WAS 89-4975-1-1 PER NPR3112	09/12/90	JW
					F	REVISED PER ECN BD5123	06/11/91	RM
					G	REV PER ECN BD5813	01/24/92	RM
					G1	ADDED 1--6 PER NPR 4840	07/12/93	NB
					H	OBS -13 PER EC 0020-1534-93	04/13/94	PR
					J	REV PER EC 0640-102-99	01 MAR 99	JK
					K	OBS -16 PER EC OUID-0211-00	28 AUG 00	JK



- ① HOUSING FULLY LOADED WITH CONTACTS.
- ② NUMBER ON CONTACT INDICATES WIRE RANGE.
- ③ CONTACT INSULATION RANGE: .060 MAXIMUM O.D.
- ④ .000030 GOLD ON MATING END FOR .100 MIN LENGTH. .000100-.000200 BRIGHT TIN OR BRIGHT TIN-LEAD IN AREA SHOWN. .000050 NICKEL UNDERPLATE ON ENTIRE CONTACT.
- ⑤ .000001 MIN GOLD ON MATING END FOR .100 MIN LENGTH. .000100-.000200 BRIGHT TIN OR BRIGHT TIN-LEAD IN AREA SHOWN. .000030 NICKEL UNDERPLATE ON ENTIRE CONTACT.
- ⑥ .000020 GOLD ON MATING END FOR .100 MIN LENGTH. .000100-.000200 BRIGHT TIN OR BRIGHT TIN-LEAD IN AREA SHOWN. .000050 NICKEL UNDERPLATE ON ENTIRE CONTACT.
- ⑦ .000050 MIN GOLD ON MATING END FOR .100 MIN LENGTH. .000100-.000200 BRIGHT TIN OR BRIGHT TIN-LEAD IN AREA SHOWN. .000050 MIN NICKEL UNDERPLATE ON ENTIRE CONTACT.
- ⑧ SPECIAL DATE CODE IN THIS APPROXIMATE AREA.
A; MM = MONTH; Y = LAST DIGIT OF YEAR.

STATUS	PACK	SIZE	FIN	POS	WIRE RANGE	PART NUMBER
OBSOLETE	SMALL PACK	.125	⑤	2	#22-26	1-745495-6
OBSOLETE	STANDARD	.115	⑦	2	#22-26	1-745495-4
		.125		2	#22-26	1-745495-3
	STANDARD	.156	⑤	3	#20-22	1-745495-2
				2	#22-26	1-745495-1
				1	#26-30	1-745495-0
	STANDARD	.146	④	3	#20-22	745495-9
				2	#22-26	745495-8
	STANDARD	.125	⑤	3	#20-22	745495-6
				2	#22-26	745495-5
				1	#26-30	745495-4
STANDARD	.115	④	3	#20-22	745495-3	
			2	#22-26	745495-2	
PACKAGING	H	CONTACT FINISH	1	#26-30	745495-1	

DO NOT SCALE PRINT. UNLESS SPECIFIED DIMENSIONS IN MILLIMETERS TOLERANCES ON: 2 PLC DEC ± .005 3 PLC DEC ± .005 ANGLES ± 2°		DR 3-19-90 J. GALLUCCI BG CHK 4-12-90 H. MOLL APPD 4-17-90 J. WESTMAN APPD 4-17-90 J. ASSINI		PART NO	
SEE CALL OUT	PRODUCT SPEC 108-40011	AMP INCORPORATED Harrisburg, Pa. 17105			
FINISH SEE TABLE	APPLICATION SPEC 114-40002	NAME RECEPTACLE ASSEMBLY, METAL SHELL, SIZE 3, 25 POSITION, SERIES HDE-20 FOR MASS TERMINATION	SIZE D	FSCM NO 00779	DRAWING NO 745495
WEIGHT		SCALE 4:1	SHEET 1 OF 1		