

# Switches

## Push Button



### Specifications:

Maximum current/voltage rating with resistive load : 400mA 32V ac, 100mA 50V dc and 125mA 125V ac.  
 Maximum initial contact resistance : 50mΩ.  
 Minimum insulation resistance : 1GΩ at 500V dc.  
 Dielectric strength : 1000V ac rms.  
 Electrical life at full load : 500,000 cycles.

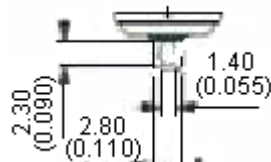
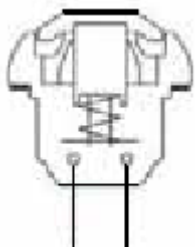
### Panel Thickness:

-B1 series : 0.8mm (0.031) minimum and 1.8mm (0.071) maximum.  
 -B2 series : 1.5mm (0.059) minimum and 4mm (0.157) maximum.  
 Total travel : 1.5mm (0.59).  
 Operating force : 2N to 5N.  
 Contact bounce : 10ms.  
 Mechanical life : 1,000,000 cycles.  
 Maximum torque : 1.5Nm applied to nut.  
 Maximum soldering : 300°C for 3 seconds.

### Switch Function

Number Poles	Switch Function		Connected Terminals			Model Number
	Position 1	Position 2	Position 1	Position 2	Schematic	

### Pole Options



Dimension : Millimetres (Inches)

### Features:

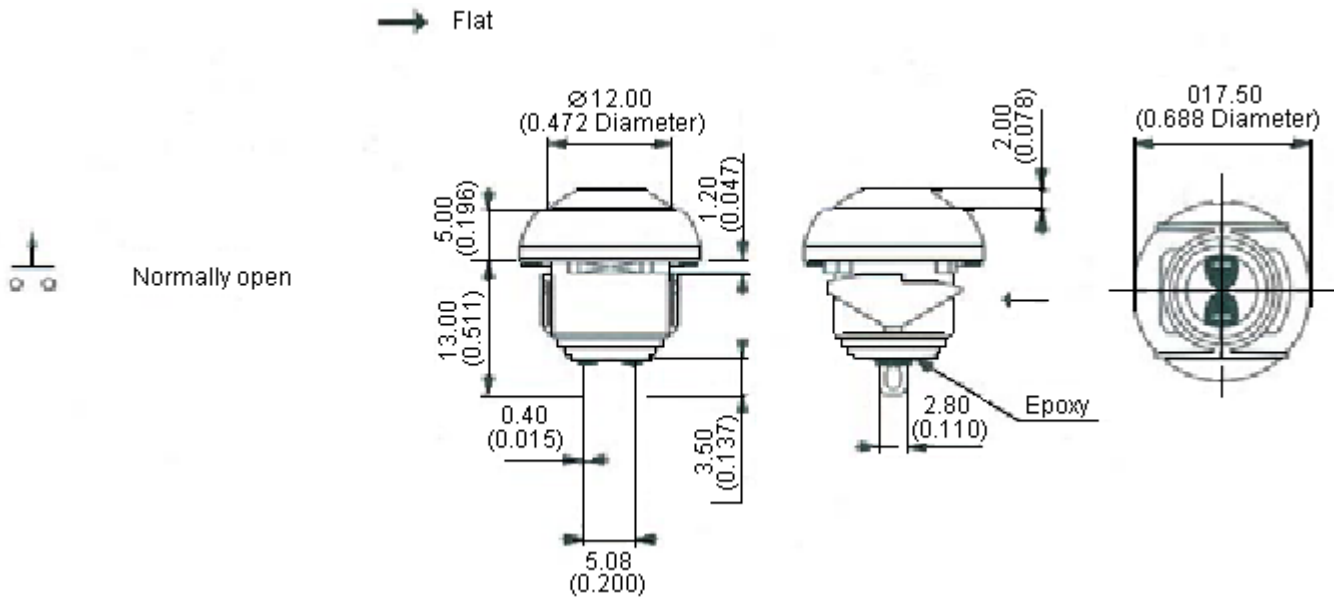
- Eight plunger colours.
- Flat plunger top allowing marking.
- Antirotation bushing.
- New solder lug terminal.

# Switches

## Push Button



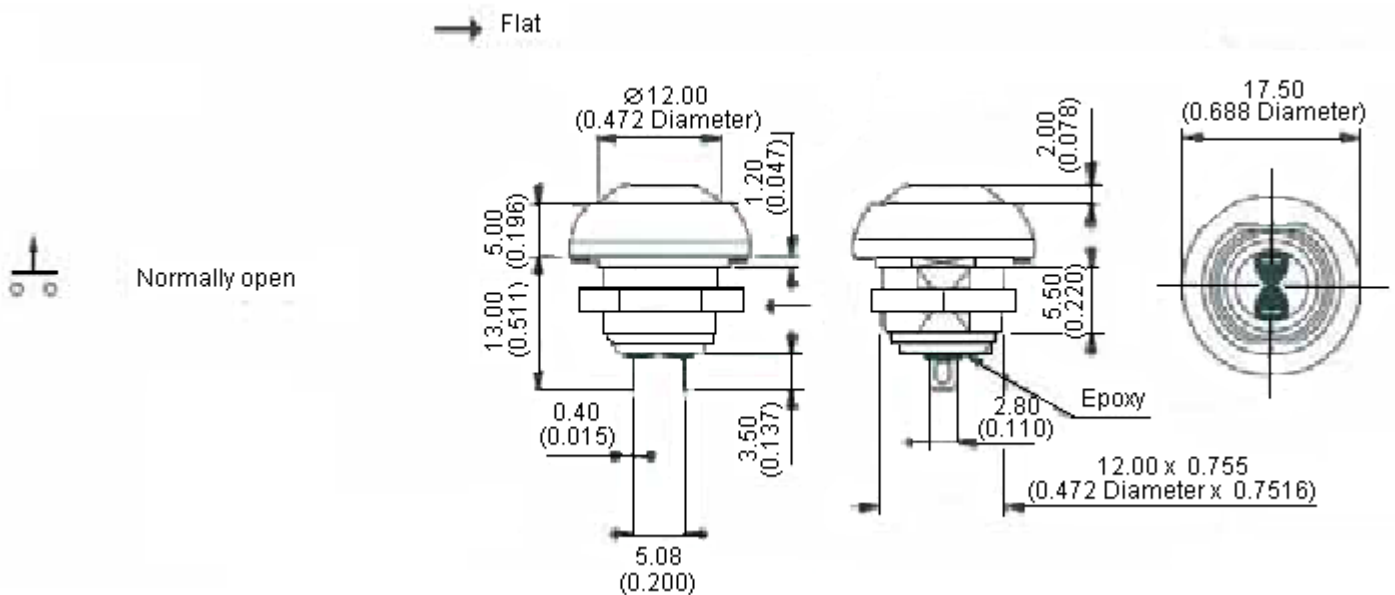
### Snap-in Mounting



Panel Thickness : 0.8mm to 1.8mm

### Mounting by Threaded Bushing

Dimension : Millimetres (Inches)



Panel Thickness : 1.5mm to 4mm

Dimension : Millimetres (Inches)

### Soldering Processes:

Manual soldering : Use soldering iron of 30 watts, controlled at 350°C approximately 5 seconds while applying solder.

Wave soldering : Recommended soldering temperature : 260 ±5°C  
Duration of solder Immersion : 5 ±1 seconds  
(PCB is 1.6mm in thickness).

Soldering : Vapor phase.

<http://www.farnell.com>  
<http://www.newark.com>  
<http://www.cpc.co.uk>



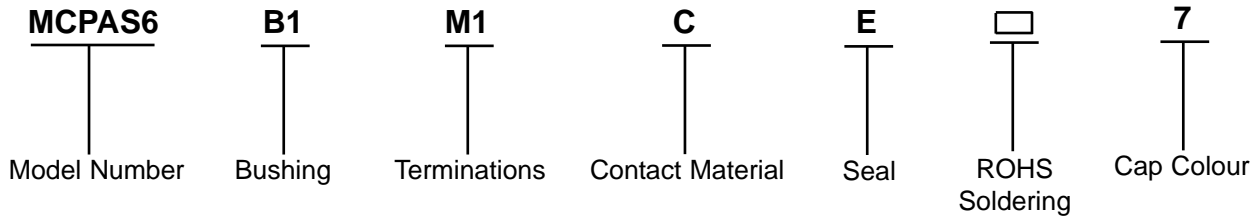


# Switches

## Push Button



### Part Number Explanation:



#### Bushing

: B1 = Snap-in, B2 = Threaded Bushing.

#### Terminations

: M1 = Solder Lug.


#### Contact Material

: C = Gold Over Silver.

#### Seal

: E = Epoxy (std).

#### ROHS Soldering

:  Rohs Compliant.

#### Cap Colour

: 7 = Blue, 2 = Black, 3 = Red, 6 = Green and 5 = Yellow.

**Disclaimer** This data sheet and its contents (the "Information") belong to the Premier Farnell Group (the "Group") or are licensed to it. No licence is granted for the use of it other than for information purposes in connection with the products to which it relates. No licence of any intellectual property rights is granted. The Information is subject to change without notice and replaces all data sheets previously supplied. The Information supplied is believed to be accurate but the Group assumes no responsibility for its accuracy or completeness, any error in or omission from it or for any use made of it. Users of this data sheet should check for themselves the Information and the suitability of the products for their purpose and not make any assumptions based on information included or omitted. Liability for loss or damage resulting from any reliance on the Information or use of it (including liability resulting from negligence or where the Group was aware of the possibility of such loss or damage arising) is excluded. This will not operate to limit or restrict the Group's liability for death or personal injury resulting from its negligence. SPC Multicomp is the registered trademark of the Group. © Premier Farnell plc 2008.