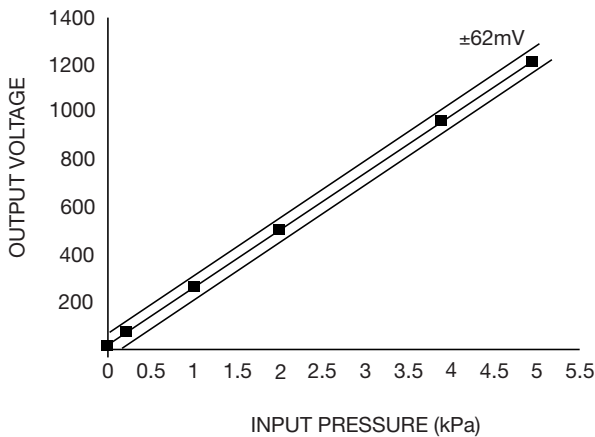


### Features

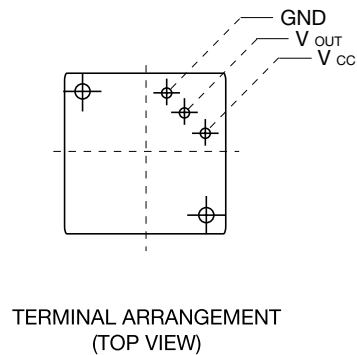
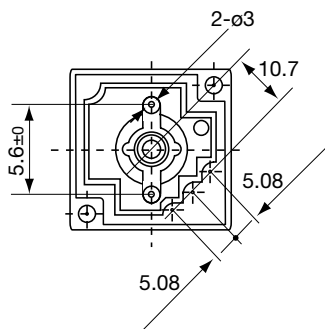
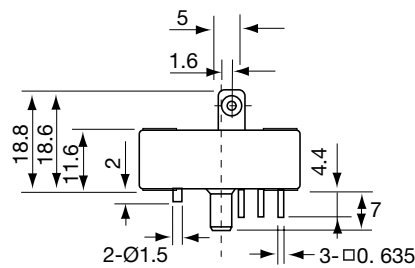
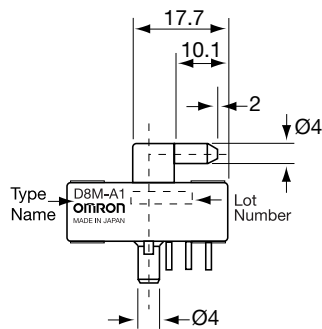
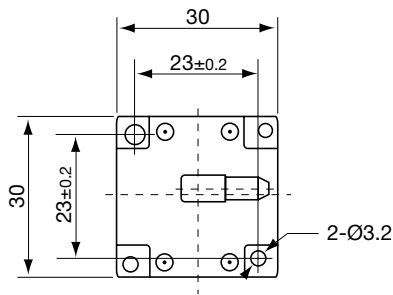
- Analogue output
- Pressure range 0 to 4.9kPa
- Current Consumption 2.5mA (supply voltage  $2.2 \pm 0.01V$ , load resistance  $1M\Omega$  min., supply pressure 4.9kPa)
- Temperature compensated over full range  $-30^\circ$  to  $70^\circ C$
- Supply Voltage  $2.2 \pm 0.1VDC$
- Output resistance  $500 \Omega$
- Protection Structure IP40



### Characteristics

<b>Output Voltage</b>	15 to 1247mV (at the central value)
<b>Repeatability &amp; Hysteresis</b>	$\pm 0.5\%$
<b>Operating Temperature</b>	$-30^\circ$ to $70^\circ C$
<b>Storage Temperature</b>	$-40^\circ$ to $80^\circ C$
<b>Operating Humidity</b>	25 to 95%
<b>Insulation Resistance</b>	100Mz $\Omega$ min (250VDC between load terminals and base)
<b>Dielectric Withstand</b>	250VAC 50/60Hz for 1 min
<b>Material</b>	Case: PBT(poly-butylene-teleftaret) Base: PBT(poly-butylene-teleftaret)
<b>Withstand Pressure</b>	0.1MPa (3 minutes)

Dimensions



ALL DIMENSIONS SHOWN ARE IN MILLIMETERS.

To convert millimeters into inches, multiply by 0.03937. To convert grams into ounces, multiply by 0.03527.

Cat. No. G8HL In the interest of product improvement, specifications are subject to change without notice.



Omron Electronic Components Europe BV

Wegalaan 57  
2132 JD Hoofddorp  
The Netherlands  
Tel: +31 23 568 1200  
Fax: +31 23 568 1212