


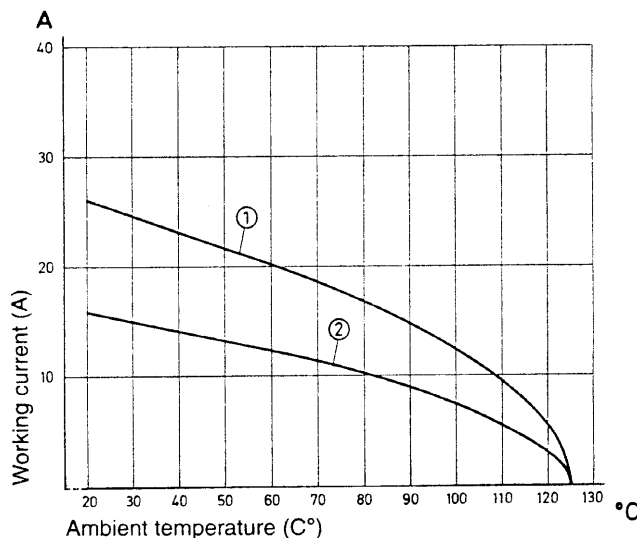
Features

- 8 contact chambers taking the Han-E® power contacts
- Space-saving and compact design
- Leading protective ground
- Crimp terminal with standard Han-E® contacts
- Use of standard tools
- Insert is suitable for the hoods and housings of the series Han Q 8/0®
- The contacts can be removed with the aid of a removal tool from the termination side
- DESINA** conform product 

Current carrying capacity

The current carrying capacity is limited by maximum temperature of materials for inserts and contacts including terminals. The current capacity-curve is valid for continuous, not interrupted current-loaded contacts of connectors when simultaneous power on all contacts is given, without exceeding the maximum temperature.

Control and test procedures according to DIN IEC 60 512-3.



Control and test procedures according to DIN IEC 512-3

Wire gauge: ① 2.5 mm²

② 1.5 mm²

Technical characteristics

Specifications

DIN VDE 0627
DIN VDE 0110

Inserts

Number of contacts	8 + PE
Working current	16 A
Working voltage	500 V
Test voltage	3 kV
Pollution degree	3 (C)
Material	Polycarbonate
Insulation resistance	≥ 10 ¹⁰ Ω
Temperature range	- 40 °C ... + 125 °C
Flammability acc. to UL 94	V 0
Mechanical working life	> 500
- mating cycles	

Contacts

Material	Copper alloy
Surface	
- hard-silver plated	3 µm Ag
- hard-gold plated	2 µm Au over 3 µm Ni
Contact resistance	
Crimp terminal	< 1 mΩ
- mm ²	0.5 - 2.5 mm ²
	partly loaded up to 4 mm ²
	is possible
	20 - 14
- AWG	

Hoods / Housings

Material	Polycarbonate
Colour	RAL 9005
Sealing	NBR
Temperature range	- 40 °C ... + 125 °C
Flammability acc. to UL 94	V 0
Material of locking lever	Polyamide
Degree of protection acc. to DIN 40 050 in locked position	IP 65
Cable gland (order separately)	Pg 16

Accessories

Crimping tools

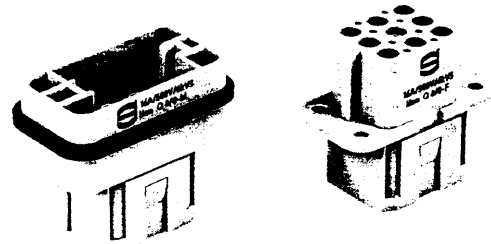
chapter 12

Han® Q 8/0



Number of contacts

8 +

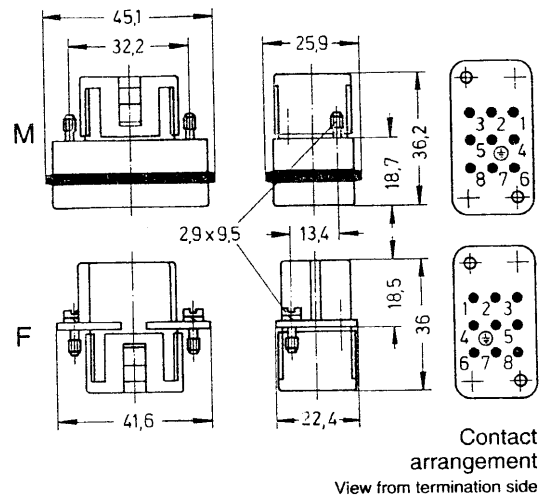


Inserts

Identification	Part No.		Drawing	Dimensions in mm
	Male insert (M)	Female insert (F)		
Crimp terminal Order crimp contacts separately				

09 12 003 3001

09 12 008 3101



Identification	Wire gauge (mm ²)	Part No.		Drawing	Dimensions in mm																												
		Male contacts	Female contacts																														
Crimp contacts	0.5	09 33 000 6121	09 33 000 6220		Operating contact Identification Relay contact																												
Power contacts	0.75	09 33 000 6114	09 33 000 6214																														
silver plated	1.0	09 33 000 6105	09 33 000 6205																														
	1.5	09 33 000 6104	09 33 000 6204																														
	2.5	09 33 000 6102	09 33 000 6202																														
	4.0	09 33 000 6107	09 33 000 6207																														
gold plated	0.5	09 33 000 6122	09 33 000 6222	Crimp contact identification	<table border="1"> <thead> <tr> <th>Identification</th> <th colspan="2">Wire gauge</th> <th>Stripping length</th> </tr> </thead> <tbody> <tr> <td>no groove</td> <td>0.5 mm²</td> <td>AWG 20</td> <td>7.5 mm</td> </tr> <tr> <td>1 groove*</td> <td>0.75 mm²</td> <td>AWG 18</td> <td>7.5 mm</td> </tr> <tr> <td>1 groove</td> <td>1 mm²</td> <td>AWG 18</td> <td>7.5 mm</td> </tr> <tr> <td>2 grooves</td> <td>1.5 mm²</td> <td>AWG 16</td> <td>7.5 mm</td> </tr> <tr> <td>3 grooves</td> <td>2.5 mm²</td> <td>AWG 14</td> <td>7.5 mm</td> </tr> <tr> <td>no groove</td> <td>4.0 mm²</td> <td>AWG 12</td> <td>7.5 mm</td> </tr> </tbody> </table>	Identification	Wire gauge		Stripping length	no groove	0.5 mm ²	AWG 20	7.5 mm	1 groove*	0.75 mm ²	AWG 18	7.5 mm	1 groove	1 mm ²	AWG 18	7.5 mm	2 grooves	1.5 mm ²	AWG 16	7.5 mm	3 grooves	2.5 mm ²	AWG 14	7.5 mm	no groove	4.0 mm ²	AWG 12	7.5 mm
	Identification	Wire gauge				Stripping length																											
	no groove	0.5 mm ²	AWG 20			7.5 mm																											
	1 groove*	0.75 mm ²	AWG 18			7.5 mm																											
	1 groove	1 mm ²	AWG 18			7.5 mm																											
2 grooves	1.5 mm ²	AWG 16	7.5 mm																														
3 grooves	2.5 mm ²	AWG 14	7.5 mm																														
no groove	4.0 mm ²	AWG 12	7.5 mm																														
	0.75	09 33 000 6115	09 33 000 6215																														
	1.0	09 33 000 6118	09 33 000 6218																														
	1.5	09 33 000 6116	09 33 000 6216																														
	2.5	09 33 000 6123	09 33 000 6223																														
	4.0	09 33 000 6119	09 33 000 6221																														
Relay contact silver plated	0.75-1	09 33 000 6109																															
	1.5	09 33 000 6110																															
	2.5	09 33 000 6111																															

* on the back crimp collar

Stock items in bold type

Han Drive

