

## PROTECTIVE GRILLE FR 8

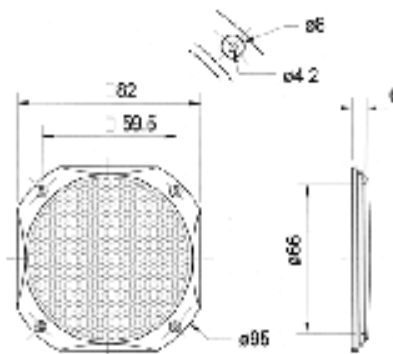
**Art. No. 1138**

**Protective grille** made of mat-black metal. Decoration ring made of black plastics.

Suitable for: [FR 8 4 OHM](#); [FR 8 8 OHM](#); [FRS 8 4 OHM](#); [FRS 8 8 OHM](#); [F 8 SC 4 OHM](#); [F 8 SC 8 OHM](#)

**Properties:**

- Plastic: PC (UL 94: V-2)



[sketch](#)

**Technical Data:**

**Similar Products**

<a href="#">GRILLE 10 ES</a>	<a href="#">GRILLE 10 PL</a>
<a href="#">GRILLE 10 R/134</a>	<a href="#">GRILLE 10 RS</a>
<a href="#">GRILLE 13 R/162</a>	<a href="#">GRILLE 13 RS</a>
<a href="#">GRILLE 4X6"</a>	<a href="#">GRILLE 9x15 PL</a>
<a href="#">GRILLE CENTER 80</a>	<a href="#">GRILLE EFFECT 130</a>
<a href="#">GRILLE EFFECT 80</a>	<a href="#">GRILLE FR 12 BM</a>
<a href="#">GRILLE FR 87</a>	<a href="#">PROTECTIVE GRILLE FR 12</a>
<a href="#">SG 25</a>	