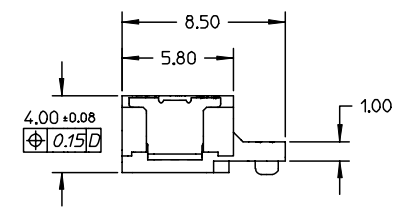
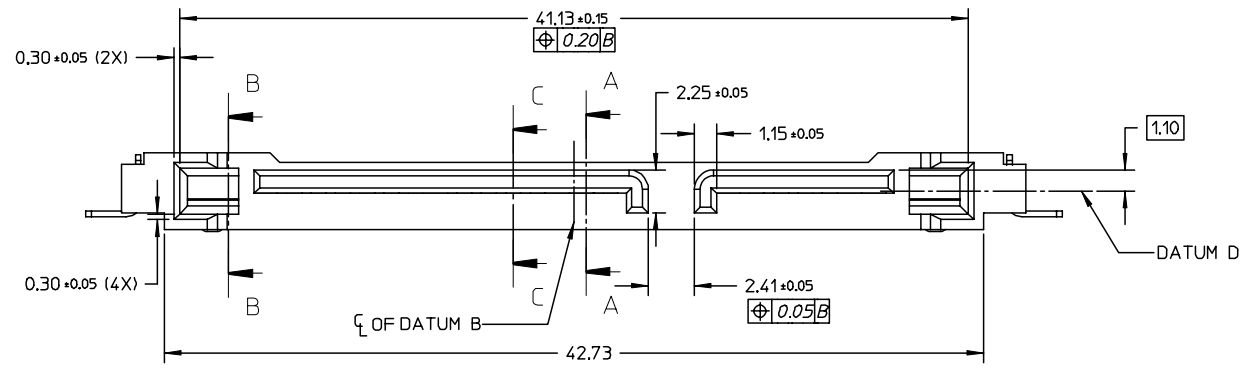
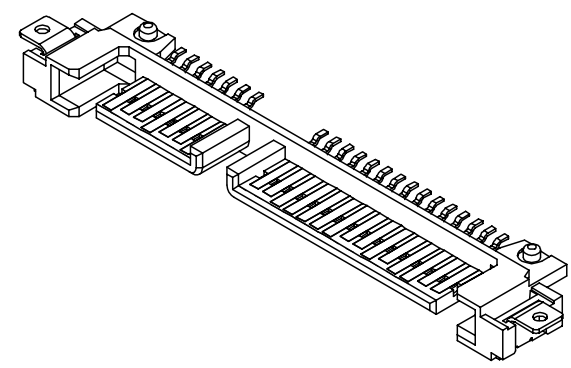
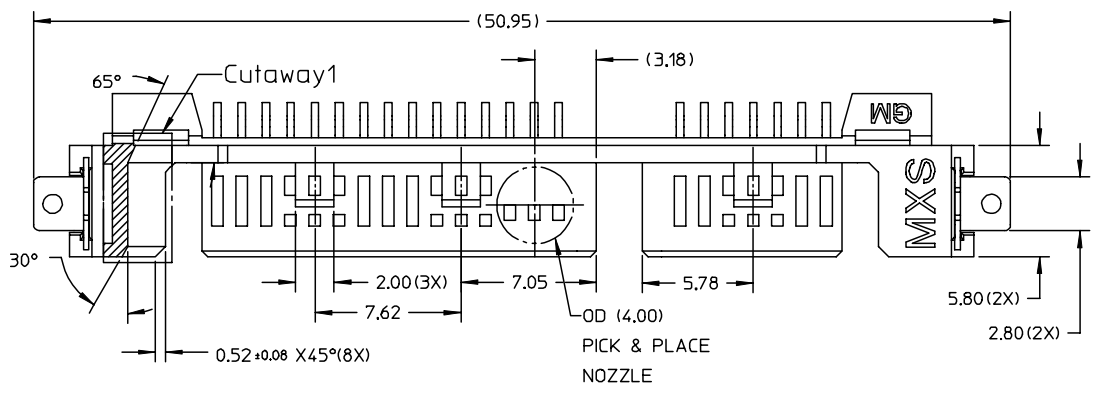


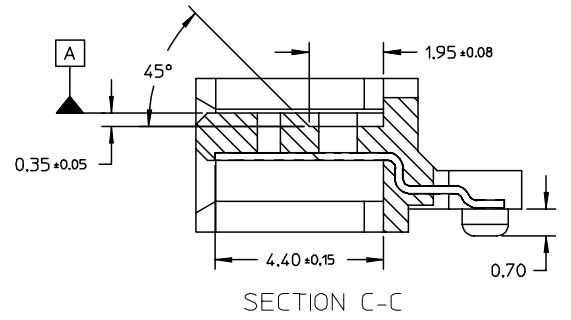
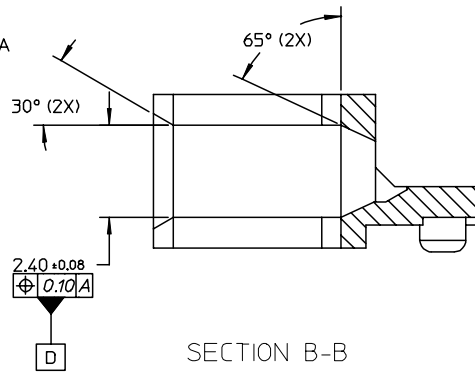
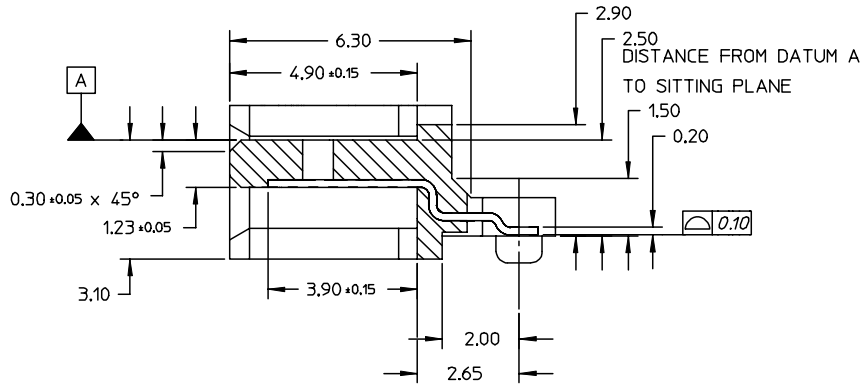
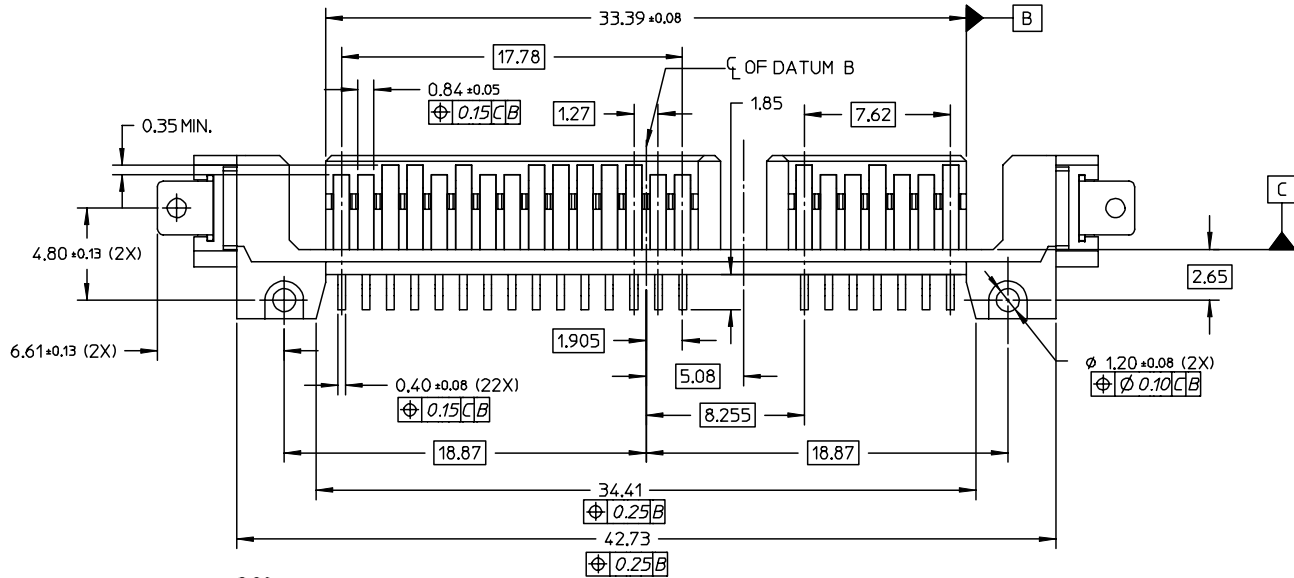
87703
PART NUMBER
87703-0001



NOTES:

- MATERIAL:
HOUSING: HIGH TEMPERATURE THERMOPLASTIC, UL 94V-0, COLOR: BLACK
CONTACTS & SMT NAILS: COPPER ALLOY
- FINISH:
CONTACTS: 0.127µm MIN. GOLD FLASH OVER 1.27µm MIN. NICKEL UNDERPLATE
SOLDERTAILS: 3.18µm MIN. TIN OVER 1.27µm NICKEL UNDERPLATE
SMT NAILS: 3.18µm MIN. TIN OVER 1.27µm MIN. NICKEL
- PRODUCT SPECIFICATION: PS-87703-017 APPLIES
- PRODUCT CONFORMS TO SERIAL ATA SPECIFICATION.
- PACKAGING: TRAY

EC NO: S2004-0461 DRWN:DKOH 2004/02/26 CHKD:KCLING 2004/02/26 APPR:SKTOH 2004/02/26	QUALITY SYMBOLS ▽ = 0 ▽ = 0	GENERAL TOLERANCES (UNLESS SPECIFIED)		SCALE NTS	DESIGN UNITS METRIC	THIRD ANGLE PROJECTION	REVISE ON CAD ONLY
		mm	INCH	DIMENSION STYLE MM ONLY		TITLE SALES DRAWING SERIAL ATA PLUG 2.5 INCH HDD	
B3	DESCRIPTION	4 PLACES	± ---	± ---	DRAWN BY RSHAN	DATE 2002/11/18	MATERIAL NO. SEE TABLE
		3 PLACES	± ---	± ---	CHECKED BY KCLING	DATE 2002/12/18	
		2 PLACES	± 0.20	± ---	APPROVED BY SKTOH	DATE 2002/12/18	SHEET NO. 1 OF 3
		1 PLACE	± ---	± ---	THIS DRAWING CONTAINS INFORMATION THAT IS PROPRIETARY TO MOLEX INCORPORATED AND SHOULD NOT BE USED WITHOUT WRITTEN PERMISSION		
		ANGULAR ± 1 °					
		DRAFT WHERE APPLICABLE					
		MUST REMAIN WITHIN DIMENSIONS					

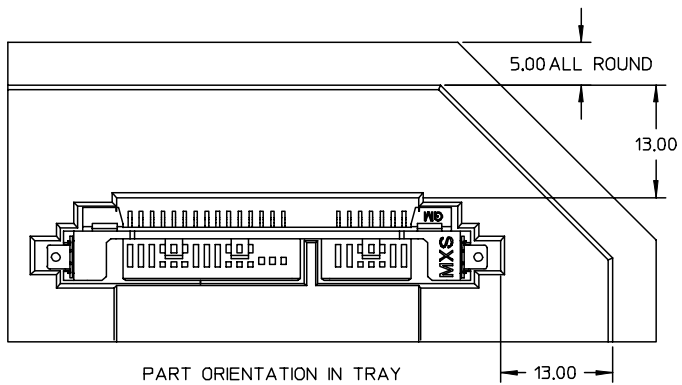
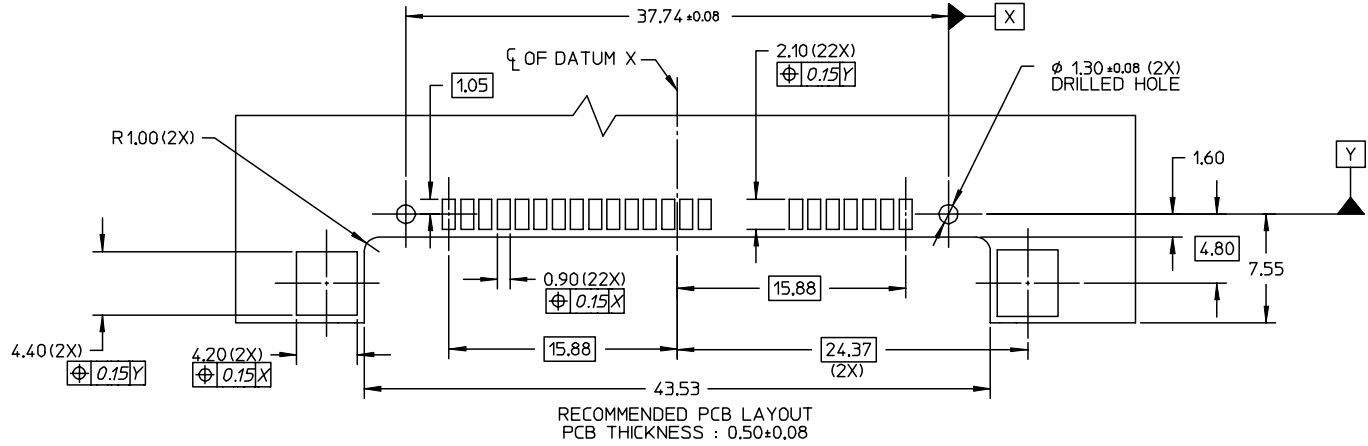


SECTION A-A

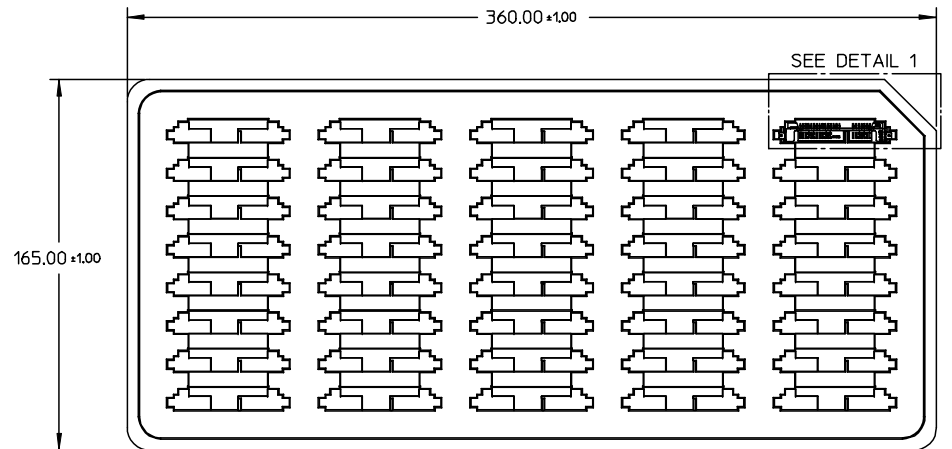
SECTION B-B

SECTION C-C

EC NO: S2004-0461 DRWN:DKOH 2004/02/26 CHKD:KCLING 2004/02/26 APPR:SKTOH 2004/02/26	QUALITY SYMBOLS ▼ = 0 ▽ = 0	GENERAL TOLERANCES (UNLESS SPECIFIED)		SCALE NTS	DESIGN UNITS METRIC	THIRD ANGLE PROJECTION	REVISE ON CAD ONLY			
		4 PLACES ± --- ± --- 3 PLACES ± --- ± --- 2 PLACES ± 0.20 ± --- 1 PLACE ± --- ± ---	DIMENSION STYLE MM ONLY	TITLE SALES DRAWING SERIAL ATA PLUG 2.5 INCH HDD						
		ANGULAR ± 1 °	DRAFT WHERE APPLICABLE	DRAWN BY RSHAN	DATE 2002/11/18	CHECKED BY KCLING	DATE 2002/12/18	MATERIAL NO. SEE TABLE	DOCUMENT NO. SD-87703-002	SHEET NO. 2 OF 3
		MUST REMAIN WITHIN DIMENSIONS	THIS DRAWING CONTAINS INFORMATION THAT IS PROPRIETARY TO MOLEX INCORPORATED AND SHOULD NOT BE USED WITHOUT WRITTEN PERMISSION		MOLEX INCORPORATED					



PART ORIENTATION IN TRAY
DETAIL 1



EC NO: S2004-0461 DRWN:DKOH 2004/02/26 CHKD:KCLING 2004/02/26 APPR:SKTOH 2004/02/26	QUALITY SYMBOLS ▼ = 0 ▽ = 0	GENERAL TOLERANCES (UNLESS SPECIFIED)		SCALE NTS	DESIGN UNITS METRIC	THIRD ANGLE PROJECTION	REVISE ON CAD ONLY		
		4 PLACES ± --- ± --- 3 PLACES ± --- ± --- 2 PLACES ± 0.20 ± --- 1 PLACE ± --- ± ---	mm INCH	DIMENSION STYLE MM ONLY		TITLE SALES DRAWING SERIAL ATA PLUG 2.5 INCH HDD			
		ANGULAR ± 1 °		DRAFT WHERE APPLICABLE	DRAWN BY RSHAN	DATE 2002/11/18	MOLEX INCORPORATED		
		MUST REMAIN WITHIN DIMENSIONS		APPROVED BY SKTOH	DATE 2002/12/18	MATERIAL NO. SEE TABLE	DOCUMENT NO. SD-87703-002	SHEET NO. 3 OF 3	
THIS DRAWING CONTAINS INFORMATION THAT IS PROPRIETARY TO MOLEX INCORPORATED AND SHOULD NOT BE USED WITHOUT WRITTEN PERMISSION									