

XC6215 Series



0.8μA Low Power Consumption Voltage Regulator with ON/OFF Switch

June 22, 2005 V4

- ◆ Low Power Consumption : 0.8μA (TYP.)
- ◆ Input Voltage Range : 1.5V ~ 6.0V
- ◆ Output Voltage Range : 0.9V ~ 5.0V
- ◆ Maximum Output Current : 200mA (300mA Limit, TYP.)
@ VOUT=3.0V, VIN=4.0V
- ◆ Current Limiter Circuit Built-In
- ◆ Ceramic Capacitor Compatible
- ◆ Ultra Small Package : USP-4
SSOT-24
USP-3

GENERAL DESCRIPTION

The XC6215 series are highly precise, low noise, positive voltage LDO regulators manufactured using CMOS processes. The series achieves very low supply current, 0.8μA (TYP.) and consists of a reference voltage source, an error amplifier, a current foldback circuit, and a phase compensation circuit plus a driver transistor.

USP-4/SSOT-24/USP-3 packages make high density mounting possible. Therefore, the series is ideal for applications where high density mounting is required such as in mobile phones.

Output voltage is selectable in 100mV increments within a range of 0.9V ~ 5.0V by laser trimming

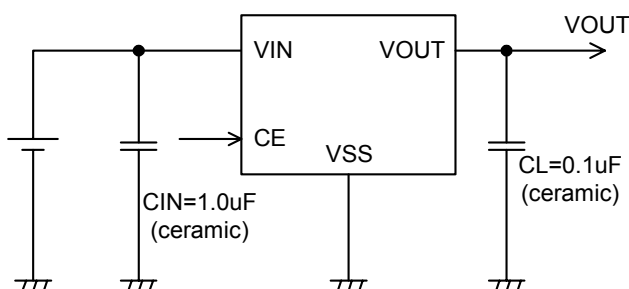
The series is also compatible with low ESR ceramic capacitors, which give added output stability.

The current limiter's foldback circuit also operates as a short protect for the output current limiter and the output pin.

Furthermore, the CE function allows the output of the regulator to be turned off, resulting in greatly reduced power consumption.

TYPICAL APPLICATION CIRCUIT

- USP-4 and SSOT-24 packages
(For the USP-3 package, with no CE pin)



APPLICATIONS

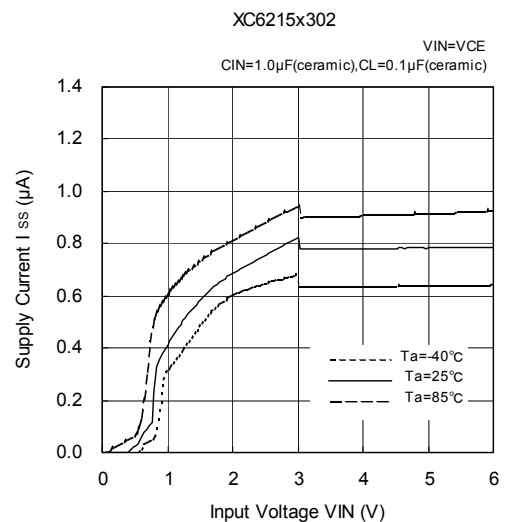
- Mobile phones
- Cordless phones, wireless communication equipment
- Portable games
- Cameras, Video recorders
- Portable AV equipment
- PDAs

FEATURES

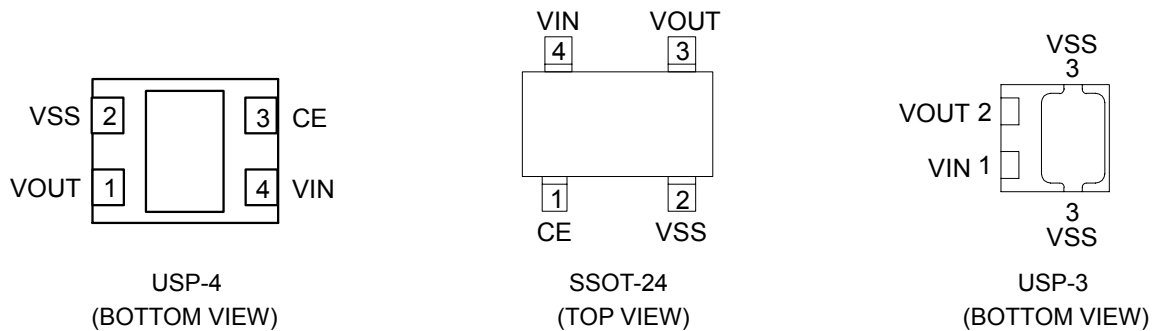
- Maximum Output Current : 200mA (300mA Limit, TYP.)
@ VOUT=3.0V, VIN=4.0V
- Dropout Voltage : 320mV @ IOUT = 100mA
@ VOUT = 3.0V
- Operating Input Voltage Range : 1.5V ~ 6.0V
- Output Voltage Range : 0.9V ~ 5.0V (100mV Step)
- Highly Accurate : Set voltage accuracy ±2%
(1.5V < VOUT(T) ≤ 5.0V)
Set voltage accuracy ±30mV
(0.9V ≤ VOUT(T) ≤ 1.5V)
- Low Power Consumption : 0.8μA (TYP.)
- Stand-by Current : Less than 0.1μA
- Operating Temperature Range : - 40°C ~ 85°C
- Low ESR Capacitor Compatible : Ceramic capacitor
- Ultra Small Packages : USP-4
SSOT-24
USP-3 (For the XC6215P series only)

TYPICAL PERFORMANCE CHARACTERISTICS

- Supply Current vs. Input Voltage



■ PIN CONFIGURATION



* For mounting intensity and heat dissipation, please refer to recommended mounting pattern and recommended metal mask when soldering the pad of USP-4. Mounting should be electrically isolated or connected to the VSS (No.2) pin.

■ PIN ASSIGNMENT

PIN NUMBER			PIN NAME	FUNCTION
USP-4	SSOT-24	USP-3		
4	4	1	VIN	Power Supply
2	2	3	VSS	Ground
3	1	-	CE	ON / Off Switch
1	3	2	VOUT	Output

■ PRODUCT CLASSIFICATION

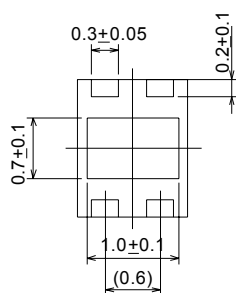
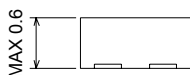
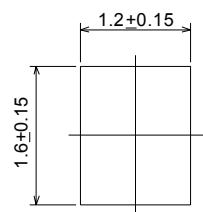
● Ordering Information

XC6215①②③④⑤⑥

DESIGNATOR	DESCRIPTION	SYMBOL	DESCRIPTION
①	Type of Regulator	B	: CE logic = High active with no pull-down resistor
		P	: 3 pin regulator with no CE pin (USP-3 only)
②③	Output Voltage	09 ~ 50	: 0.9 V ~ 5.0V, 100mV step e.g. VOUT=3.0V⇒②=3, ③=0
④	Output Voltage Accuracy	2	: ± 2 % accuracy e.g. VOUT=3.0V⇒②=3, ③=0, ④=2
⑤	Package	G	: USP-4
		N	: SSOT-24
		H	: USP-3 (for the XC6215P series only)
⑥	Device Orientation	R	: Embossed tape, standard feed
		L	: Embossed tape, reverse feed

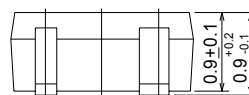
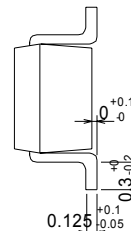
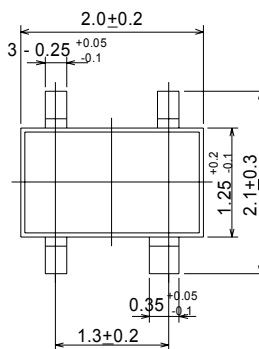
■ **PACKAGING INFORMATION**

● **USP-4**

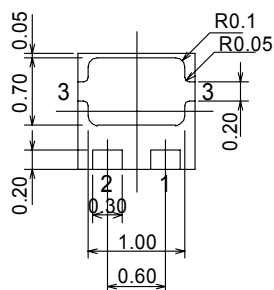
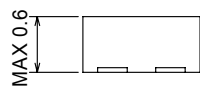
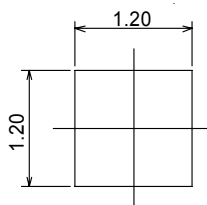


* Note :
Soldering fillet surface is not formed because the sides of the pins are not plated.

● **SSOT-24**



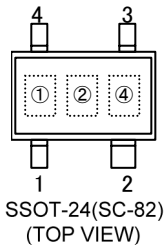
● **USP-3**



XC6215 Series

MARKING RULE

●SSOT-24



①Represents type of regulator and output voltage range

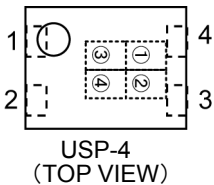
MARK	TYPE	OUTPUT VOLTAGE RANGE	PRODUCT SERIES
T	CE pin, High Active with no pull-down resistor built in	0.9V~3.0V	XC6215Bxxxxx
U		3.1V~5.0V	

②Represents decimal point of output voltage

MARK	OUTPUT VOLTAGE (V)			MARK	OUTPUT VOLTAGE (V)		
0	-	3.1	-	F	1.6	4.6	-
1	-	3.2	-	H	1.7	4.7	-
2	-	3.3	-	K	1.8	4.8	-
3	-	3.4	-	L	1.9	4.9	-
4	-	3.5	-	M	2.0	5.0	-
5	-	3.6	-	N	2.1	-	-
6	-	3.7	-	P	2.2	-	-
7	-	3.8	-	R	2.3	-	-
8	0.9	3.9	-	S	2.4	-	-
9	1.0	4.0	-	T	2.5	-	-
A	1.1	4.1	-	U	2.6	-	-
B	1.2	4.2	-	V	2.7	-	-
C	1.3	4.3	-	X	2.8	-	-
D	1.4	4.4	-	Y	2.9	-	-
E	1.5	4.5	-	Z	3.0	-	-

③Represents production lot number
0 to 9, A to Z repeated (G, I, J, O, Q, W excepted)
NOTE: No character inversion used.

●USP-4, USP-3

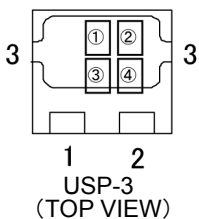


①Represents product series

MARK	PRODUCT SERIES
E	XC6215xxxxxx

②Represents type of regulator and output voltage range

MARK	TYPE	OUTPUT VOLTAGE RANGE	PRODUCT SERIES
T	CE pin, High Active with no pull-down resistor built in	0.9V~3.0V	XC6215xxxxxx
U		3.1V~5.0V	



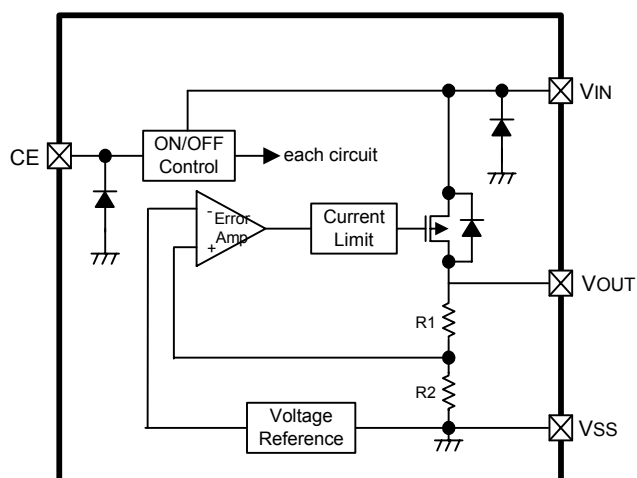
③Represents output voltage

MARK	OUTPUT VOLTAGE (V)			MARK	OUTPUT VOLTAGE (V)		
0	-	3.1	-	F	1.6	4.6	-
1	-	3.2	-	H	1.7	4.7	-
2	-	3.3	-	K	1.8	4.8	-
3	-	3.4	-	L	1.9	4.9	-
4	-	3.5	-	M	2.0	5.0	-
5	-	3.6	-	N	2.1	-	-
6	-	3.7	-	P	2.2	-	-
7	-	3.8	-	R	2.3	-	-
8	0.9	3.9	-	S	2.4	-	-
9	1.0	4.0	-	T	2.5	-	-
A	1.1	4.1	-	U	2.6	-	-
B	1.2	4.2	-	V	2.7	-	-
C	1.3	4.3	-	X	2.8	-	-
D	1.4	4.4	-	Y	2.9	-	-
E	1.5	4.5	-	Z	3.0	-	-

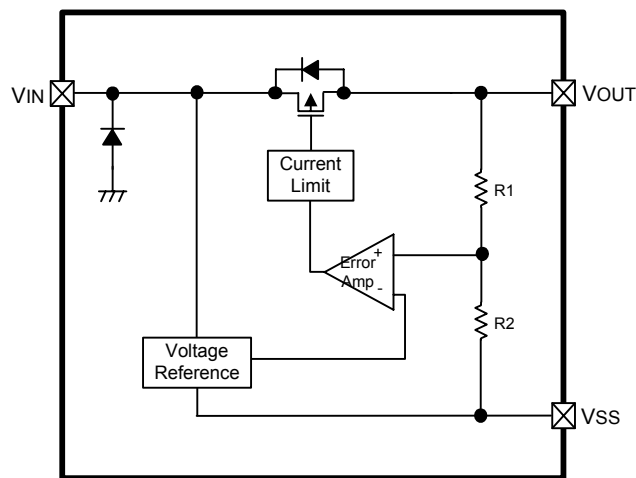
④Represents production lot number
0 to 9, A to Z repeated (G, I, J, O, Q, W excepted)
NOTE: No character inversion used.

■ BLOCK DIAGRAMS

● XC6215B Series



● XC6215P Series



* Diodes shown in the above circuit are ESD protection diodes and parasitic diodes

■ ABSOLUTE MAXIMUM RATINGS

Ta = 25°C

PARAMETER	SYMBOL	RATINGS	UNITS	
Input Voltage	VIN	- 0.3 ~ + 7.0	V	
Output Current	IOUT	500 (*1)	mA	
Output Voltage	VOUT	VSS - 0.3 ~ VIN + 0.3	V	
CE Input Voltage (*2)	VCE	VSS - 0.3 ~ VIN + 0.3	V	
Power Dissipation	SSOT-24	Pd	mW	
	USP-4			150
	USP-3			120
Operating Temperature Range	Topr	- 40 ~ + 85	°C	
Storage Temperature Range	Tstg	- 55 ~ +125	°C	

Note:

*1: IOUT = Pd / (VIN - VOUT)

*2: Except for the XC6215P series

■ ELECTRICAL CHARACTERISTICS

● XC6215B Series

Ta = 25°C

PARAMETER	SYMBOL	CONDITIONS	MIN.	TYP.	MAX.	UNIT.	CIRCUIT
Output Voltage (*2)	VOUT(E)	VIN=VCE=VOUT(T) (*1) + 1.0V, IOUT=1mA	E-0(*6)			V	①
Maximum Output Current	IOUTMAX	VIN=VCE=VOUT(T) + 1.0V VOUT(T)=0.9V	50	-	-	mA	①
		VIN=VCE=VOUT(T) + 1.0V VOUT(T)=1.0V ~ 1.1V	60	-	-		
		VIN=VCE=VOUT(T) + 1.0V V VOUT(T)=1.2V ~ 1.3V	80	-	-		
		VIN=VCE=VOUT(T) + 1.0V VOUT(T)=1.4V ~ 1.6V	100	-	-		
		VIN=VCE=VOUT(T) + 1.0V VOUT(T)=1.7V ~ 2.2V	120	-	-		
		VIN=VCE=VOUT(T) + 1.0V VOUT(T)=2.3V ~ 2.9V	150	-	-		
		VIN=VCE=VOUT(T) + 1.0V VOUT(T)≥3.0V	200	-	-		
Load Regulation	ΔVOUT	VIN=VCE=VOUT(T) + 1.0V VOUT(T)=0.9V 1mA ≤ IOUT ≤ 50mA	-	15	70	mV	①
		VIN=VCE=VOUT(T) + 1.0V VOUT(T)= 1.0V ~ 1.1V 1mA ≤ IOUT ≤ 60mA					
		VIN=VCE=VOUT(T) + 1.0V VOUT(T)=1.2V~1.3V 1mA ≤ IOUT ≤ 80mA					
		VIN=VCE=VOUT(T) + 1.0V VOUT(T)≥1.4V 1mA ≤ IOUT ≤ 100mA					
Dropout Voltage (*3)	Vdif	VCE=VIN, VOUT(T)=0.9V IOUT=50mA	E-1(*6)			mV	①
		VCE=VIN, VOUT(T)=1.0V ~ 1.1V IOUT=60mA					
		VCE=VIN, VOUT(T)=1.2V ~ 1.3V IOUT=80mA					
		VCE=VIN, VOUT(T)≥1.4V IOUT=100mA					
Supply Current	IDD	VIN=VCE=VOUT(T) + 1.0V VOUT(T)≤3.9V	-	0.8	1.5	μA	②
		VIN=VCE=VOUT(T) + 1.0V VOUT(T)≥4.0V	-	1.0	1.8		
Stand-by Current	Istby	VIN=VOUT(T) + 1.0V, VCE=VSS	-	0.01	0.10	μA	②

■ ELECTRICAL CHARACTERISTICS (Continued)

● XC6215B Series (Continued)

Ta = 25°C

PARAMETER	SYMBOL	CONDITIONS	MIN.	TYP.	MAX.	UNIT.	CIRCUIT
Line Regulation	$\frac{\Delta V_{OUT}}{\Delta V_{IN} \cdot V_{OUT}}$	VOUT(T)=0.9V, VCE=VIN 1.5V ≤ VIN ≤ 6.0V IOUT=1mA	-	0.05	0.15	%V	①
		VOUT(T)=1.0V~1.2V, VCE=VIN VOUT(T)+0.5V ≤ VIN ≤ 6.0V IOUT=1mA					
		VOUT(T) ≥ 1.3V, VCE=VIN VOUT(T)+0.5V ≤ VIN ≤ 6.0V IOUT=30mA					
Input Voltage	VIN	-	1.5	-	6.0	V	-
Output Voltage Temperature Characteristics	$\frac{\Delta V_{OUT}}{\Delta T_{opr} \cdot V_{OUT}}$	VIN=VCE=VOUT(T)+1.0V, IOUT=30mA -40°C ≤ Topr ≤ 85°C	-	±100	-	ppm / °C	①
Current Limit	Ilim	VOUT=VOUT(E) × 0.95 VOUT(T)=0.9V VIN=VCE= VOUT(T)+2.0V	100	300	-	mA	①
		VOUT=VOUT(E) × 0.95 VOUT(T)=1.0V ~ 1.1V VIN=VCE= VOUT(T)+2.0V	120	300	-		
		VOUT=VOUT(E) × 0.95 VOUT(T)=1.2V ~ 1.3V VIN=VCE= VOUT(T)+2.0V	160	300	-		
		VOUT=VOUT(E) × 0.95 VOUT(T)=1.4V ~ 2.9V VIN=VCE= VOUT(T)+2.0V	200	300	-		
		VOUT=VOUT(E) × 0.95 VOUT(T) ≥ 3.0V VIN=VCE= VOUT(T)+1.0V	200	300	-		
Short Circuit Current	Ishort	VIN=VCE=VOUT(T)+1.0V, VOUT=0V	-	50	-	mA	①
CE 'H' Level Voltage	VCEH	VIN=VOUT(T)+1.0V	1.0	-	6.0	V	①
CE 'L' Level Voltage	VCEL	VIN=VOUT(T)+1.0V	-	-	0.3		
CE 'H' Level Current	ICEH	VIN=VCE=VOUT(T)+1.0V	-0.1	-	0.1	μA	②
CE 'L' Level Current	ICEL	VIN=VOUT(T)+1.0V, VCE=VSS	-0.1	-	0.1		

NOTE:

*1: VOUT(T): Fixed output voltage

*2: VOUT(E) = Effective output voltage

(i.e. the output voltage when "VOUT(T) + 1.0V" is provided at the VIN pin while maintaining a certain IOUT value).

3: Vdif = { VIN1^() - VOUT1^(*) }

*4: VIN1 = The input voltage when VOUT1 appears as input voltage is gradually decreased.

*5: VOUT1 = A voltage equal to 98% of the output voltage whenever an amply stabilized IOUT { VOUT(T) + 1.0V } is input.

*6: Refer to "VOLTAGE CHART".

■ ELECTRICAL CHARACTERISTICS (Continued)

● XC6215P Series

Ta = 25°C

PARAMETER	SYMBOL	CONDITIONS	MIN.	TYP.	MAX.	UNIT.	CIRCUIT
Output Voltage (*2)	VOUT(E)	VIN=VOUT(T) (*1) + 1.0V, IOUT=1mA	E-0(*6)			V	①
Maximum Output Current	IOUTMAX	VIN=VOUT(T) + 1.0V VOUT(T)=0.9V	50	-	-	mA	①
		VIN=VOUT(T) + 1.0V VOUT(T)=1.0V ~ 1.1V	60	-	-		
		VIN=VOUT(T) + 1.0V VOUT(T)=1.2V ~ 1.3V	80	-	-		
		VIN=VOUT(T) + 1.0V VOUT(T)=1.4V ~ 1.6V	100	-	-		
		VIN=VOUT(T) + 1.0V VOUT(T)=1.7V ~ 2.2V	120	-	-		
		VIN=VOUT(T) + 1.0V VOUT(T)=2.3V ~ 2.9V	150	-	-		
		VIN=VOUT(T) + 1.0V VOUT(T)≥3.0V	200	-	-		
Load Regulation	ΔVOUT	VIN=VOUT(T) + 1.0V VOUT(T)=0.9V 1mA ≤ IOUT ≤ 50mA	-	15	70	mV	①
		VIN=VOUT(T) + 1.0V VOUT(T)= 1.0V~1.1V 1mA ≤ IOUT ≤ 60mA					
		VIN=VOUT(T) + 1.0V VOUT(T)=1.2V~1.3V 1mA ≤ IOUT ≤ 80mA					
		VIN=VOUT(T) + 1.0V VOUT(T) ≥ 1.4V 1mA ≤ IOUT ≤ 100mA					
Dropout Voltage (*3)	Vdif	VOUT(T)=0.9V IOUT=50mA	E-1(*6)			mV	①
		VOUT(T)=1.0V ~ 1.1V IOUT=60mA					
		VOUT(T)=1.2V ~ 1.3V IOUT=80mA					
		VOUT(T) ≥ 1.4V IOUT=100mA					
Supply Current	IDD	VIN=VOUT(T)=1.0V VOUT(T) ≤ 3.9V	-	0.8	1.5	μA	②
		VIN= VOUT(T)+1.0V VOUT(T) ≥ 4.0V	-	1.0	1.8		

■ ELECTRICAL CHARACTERISTICS (Continued)

● XC6215P Series (Continued)

Ta = 25°C

PARAMETER	SYMBOL	CONDITIONS	MIN.	TYP.	MAX.	UNIT.	CIRCUIT
Line Regulation	$\frac{\Delta V_{OUT}}{\Delta V_{IN} \cdot V_{OUT}}$	VOUT(T)=0.9V 1.5V ≤ VIN ≤ 6.0V IOUT=1mA	-	0.05	0.15	%V	①
		VOUT(T)=1.0V~1.2V VOUT(T)+0.5V ≤ VIN ≤ 6.0V IOUT=1mA					
		VOUT(T) ≥ 1.3V VOUT(T)+0.5V ≤ VIN ≤ 6.0V IOUT=30mA					
Input Voltage	VIN	-	1.5	-	6.0	V	-
Output Voltage Temperature Characteristics	$\frac{\Delta V_{OUT}}{\Delta T_{opr} \cdot V_{OUT}}$	VIN=VOUT(T)+1.0V, IOUT=30mA - 40°C ≤ Topr ≤ 85°C	-	± 100	-	ppm / °C	①
Current Limit	Ilim	VOUT=VOUT(E) × 0.95 VOUT(T)=0.9V VIN= VOUT(T)+2.0V	100	300	-	mA	①
		VOUT=VOUT(E) × 0.95 VOUT(T)=1.0V ~ 1.1V VIN=VOUT(T)+2.0V	120	300	-		
		VOUT=VOUT(E) × 0.95 VOUT(T)=1.2V ~ 1.3V VIN=VOUT(T)+2.0V	160	300	-		
		VOUT=VOUT(E) × 0.95 VOUT(T)=1.4V ~ 2.9V VIN=VOUT(T)+2.0V	200	300	-		
		VOUT=VOUT(E) × 0.95 VOUT(T) ≥ 3.0V VIN=VOUT(T)+1.0V	200	300	-		
Short Circuit Current	Ishort	VIN=VOUT(T)+1.0V, VOUT=0V	-	50	-	mA	①

NOTE:

*1: VOUT(T): Fixed output voltage

*2: VOUT(E) = Effective output voltage

(i.e. the output voltage when "VOUT(T) + 1.0V" is provided at the VIN pin while maintaining a certain IOUT value).

3: Vdif = { VIN1^()4) - VOUT1^(*)5) }

*4: VIN1 = The input voltage when VOUT1 appears as input voltage is gradually decreased.

*5: VOUT1 = A voltage equal to 98% of the output voltage whenever an amply stabilized IOUT { VOUT(T) + 1.0V } is input.

*6: Refer to "VOLTAGE CHART".

■ VOLTAGE CHART

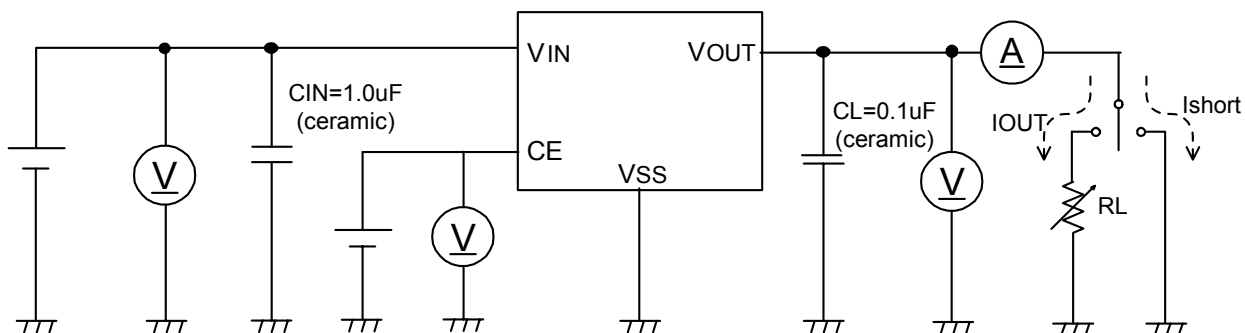
● Dropout Voltage Chart

Ta = 25°C

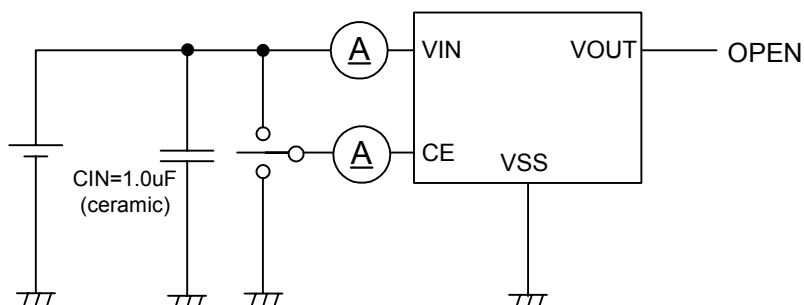
SETTING OUTPUT VOLTAGE	E-0		E-1	
	OUTPUT VOLTAGE (V)		DROPOUT VOLTAGE (mV)	
VOUT(T)	VOUT		Vdif	
	MIN.	MAX.	TYP.	MAX.
0.9	0.870	0.930	870	1000
1.0	0.970	1.030	860	1000
1.1	1.070	1.130	780	950
1.2	1.170	1.230	800	1000
1.3	1.270	1.330	720	900
1.4	1.370	1.430	750	960
1.5	1.470	1.530	700	890
1.6	1.568	1.632	680	860
1.7	1.666	1.734	650	830
1.8	1.764	1.836	630	800
1.9	1.862	1.938	610	780
2.0	1.960	2.040	580	740
2.1	2.058	2.142	580	740
2.2	2.156	2.244	580	740
2.3	2.254	2.346	510	650
2.4	2.352	2.448	510	650
2.5	2.450	2.550	450	580
2.6	2.548	2.652	450	580
2.7	2.646	2.754	450	580
2.8	2.744	2.856	450	580
2.9	2.842	2.958	450	580
3.0	2.940	3.060	320	420
3.1	3.038	3.162	320	420
3.2	3.136	3.264	320	420
3.3	3.234	3.366	320	420
3.4	3.332	3.468	320	420
3.5	3.430	3.570	320	420
3.6	3.528	3.672	320	420
3.7	3.626	3.774	320	420
3.8	3.724	3.876	320	420
3.9	3.822	3.978	320	420
4.0	3.920	4.080	290	380
4.1	4.018	4.182	290	380
4.2	4.116	4.284	290	380
4.3	4.214	4.386	290	380
4.4	4.312	4.488	290	380
4.5	4.410	4.590	290	380
4.6	4.508	4.692	290	380
4.7	4.606	4.794	290	380
4.8	4.704	4.896	290	380
4.9	4.802	4.998	290	380
5.0	4.900	5.100	230	310

■ TEST CIRCUITS

● Circuit ①



● Circuit ②

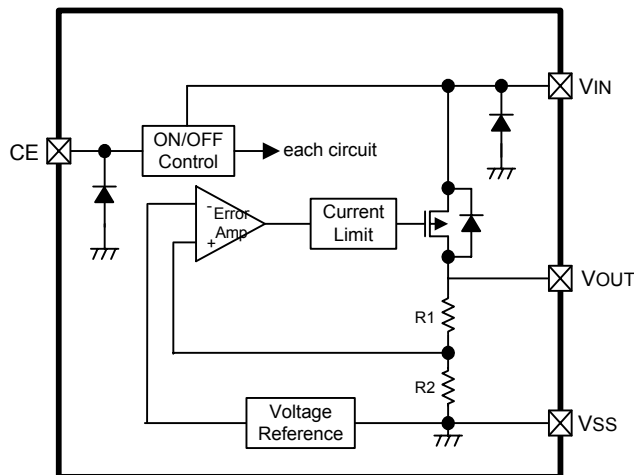


■ OPERATIONAL EXPLANATION

● XC6215B Series (As for the XC6215P Series, with no CE pin)

<Output Voltage Control>

The voltage divided by resistors R1 & R2 is compared with the internal reference voltage by the error amplifier. The P-channel MOSFET, which is connected to the VOUT pin, is then driven by the subsequent output signal. The output voltage at the VOUT pin is controlled and stabilized by a system of negative feedback. The current limit circuit and short protect circuit operate in relation to the level of output current. Further, the IC's internal circuitry can be operated or shutdown via the CE pin's signal.



<Short Protection Circuit>

The XC6215 series' regulator offers circuit protection by means of a built-in foldback circuit. When the load current reaches the current limit level, the fixed current limiter circuit operates and output voltage drops. As a result of this drop in output voltage, the foldback circuit operates, the output voltage drops further and output current decreases. When the output pin is shorted, a current of about 50mA flows.

<CE Pin>

The IC's internal circuitry can be operated or shutdown via the signal from the CE pin with the XC6215B series. In shutdown mode, output at the VOUT pin will be pulled down to the VSS level via R1 & R2. Note that the XC6215 series' regulator is "High Active/No Pull-Down", operations will become unstable with the CE pin open. We suggest that you use this IC with either a VIN voltage or a VSS voltage input at the CE pin. If this IC is used with the correct specifications for the CE pin, the operational logic is fixed and the IC will operate normally.

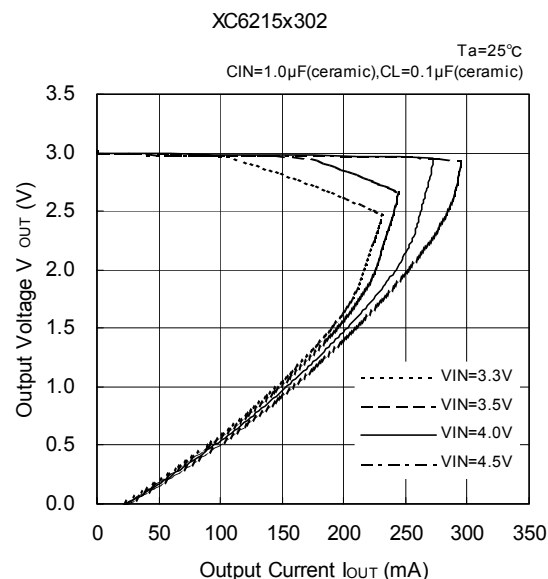
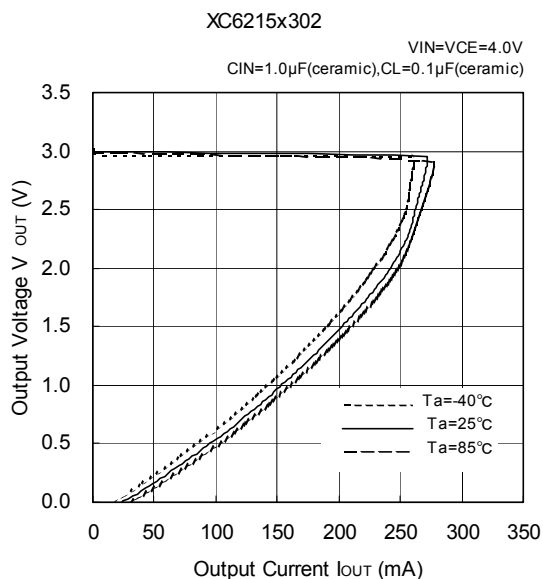
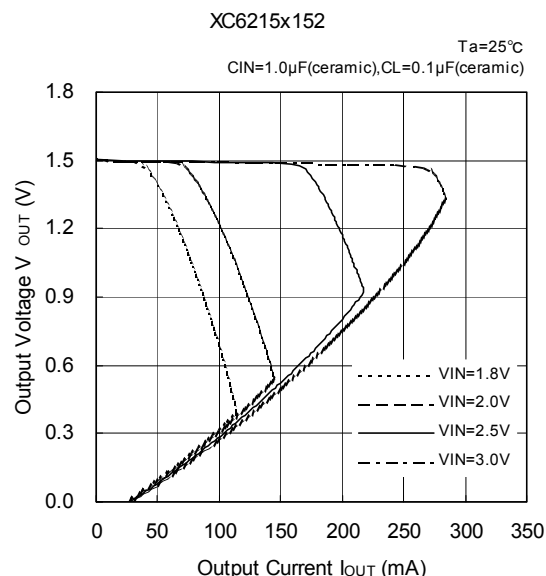
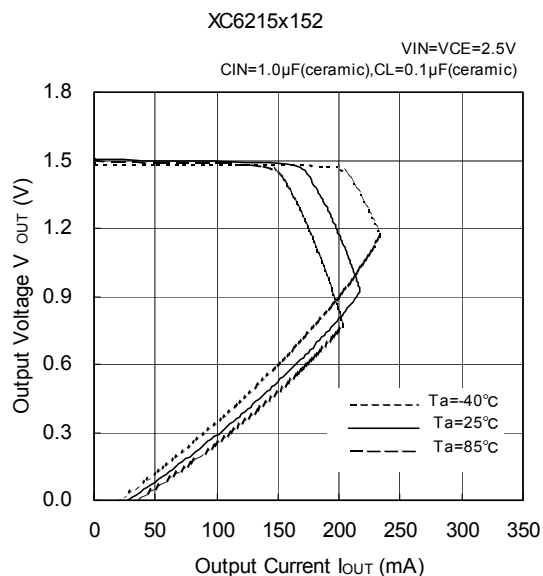
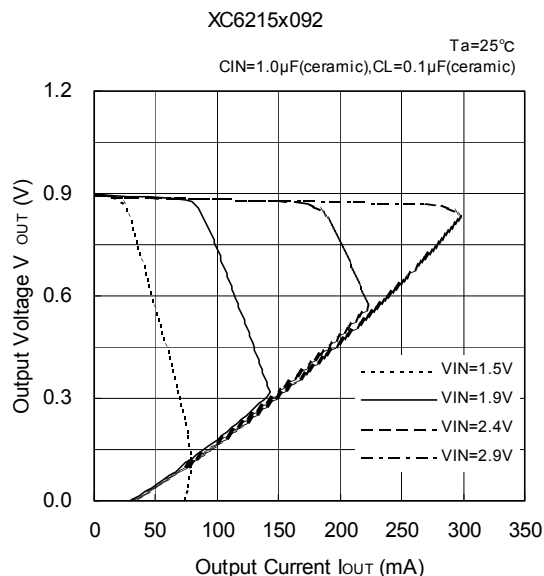
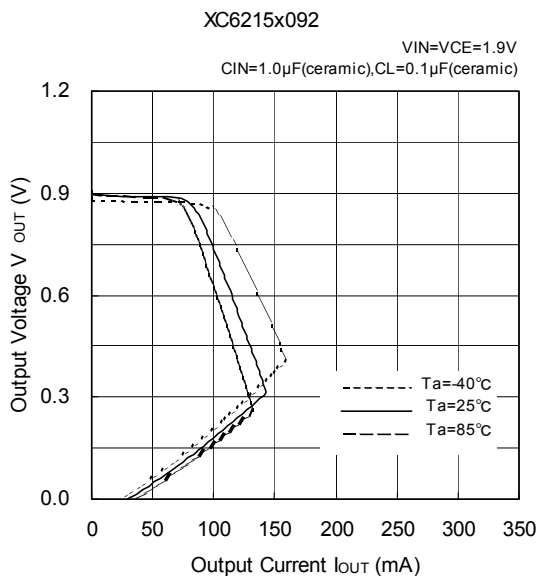
However, supply current may increase as a result of through current in the IC's internal circuitry.

■ NOTES ON USE

1. Please use this IC within the stated absolute maximum ratings. The IC is liable to malfunction should the ratings be exceeded.
2. Where wiring impedance is high, operations may become unstable due to noise and/or phase lag depending on output current.
3. As for the XC 6215 series, internally achieved phase compensation makes a stable operation of the IC possible even when there is no output capacitor (CL). In order to stabilize the VIN's voltage level, we recommend that an input capacitor (CIN) of about 0.1 to 1.0 μ F be connected between the VIN pin and the VSS pin. Moreover, during transient response, so as to prevent an undershoot or overshoot, we recommend that the output capacitor (CL) of about 0.1 to 1.0 μ F be connected between the VOUT pin and the VSS pin. However, please wire the input capacitor (CIN) and the output capacitor (CL) as close to the IC as possible.

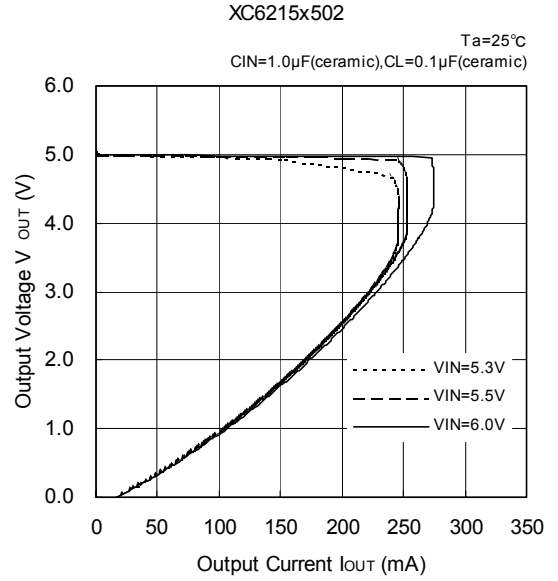
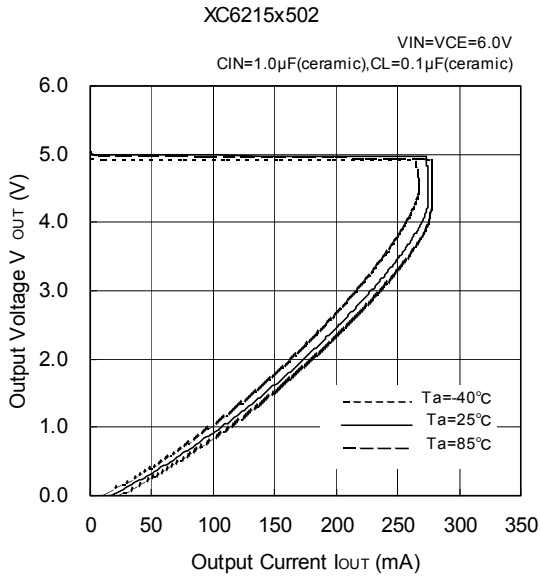
TYPICAL PERFORMANCE CHARACTERISTICS

(1) Output Voltage vs. Output Current

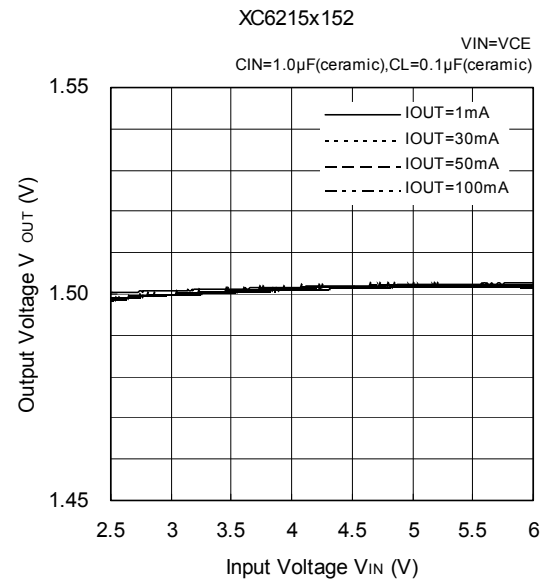
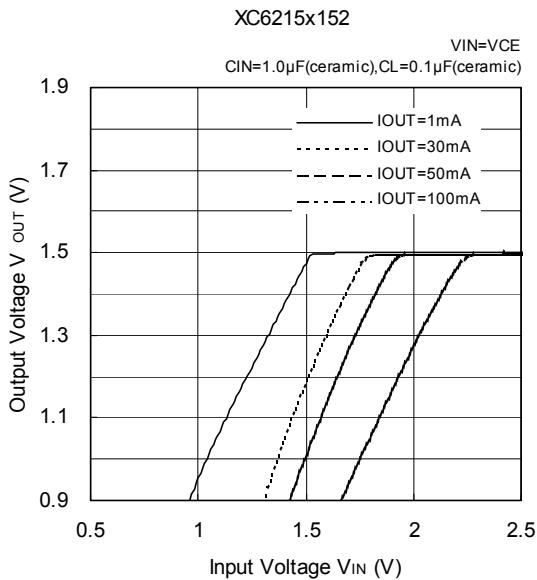
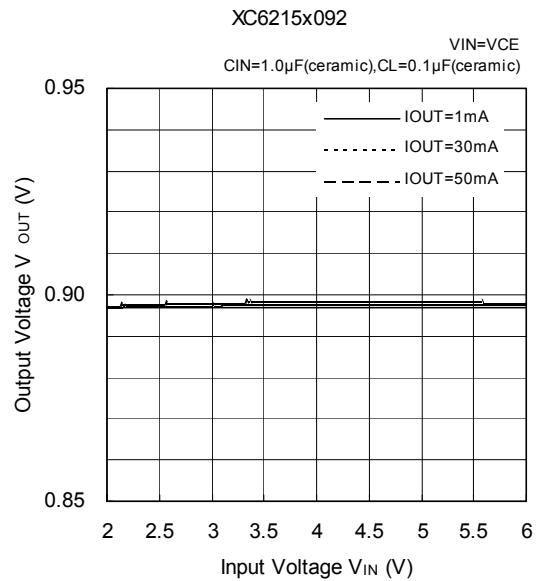
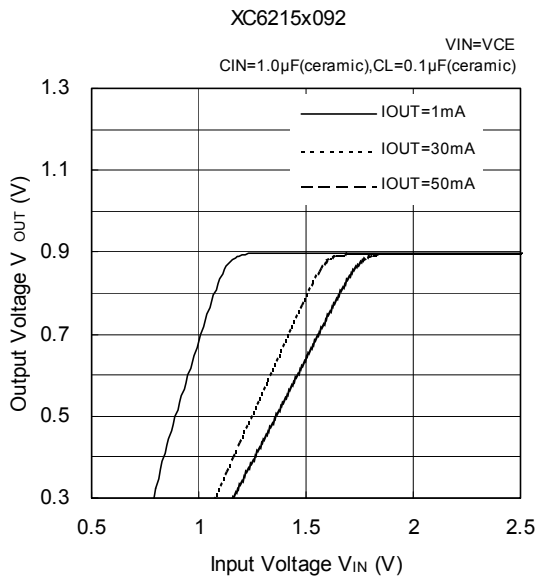


TYPICAL PERFORMANCE CHARACTERISTICS (Continued)

(1) Output Voltage vs. Output Current (Continued)



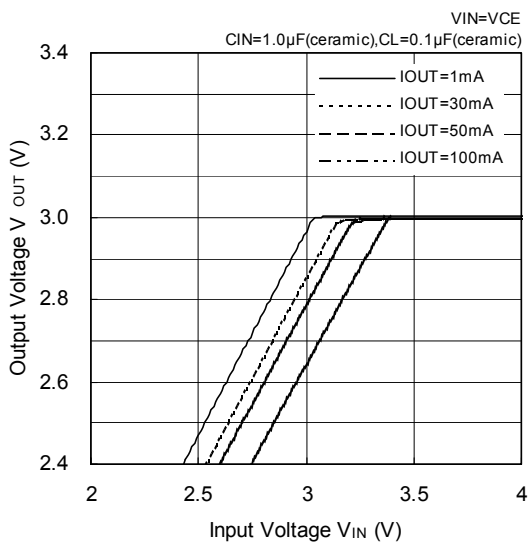
(2) Output Voltage vs. Input Voltage



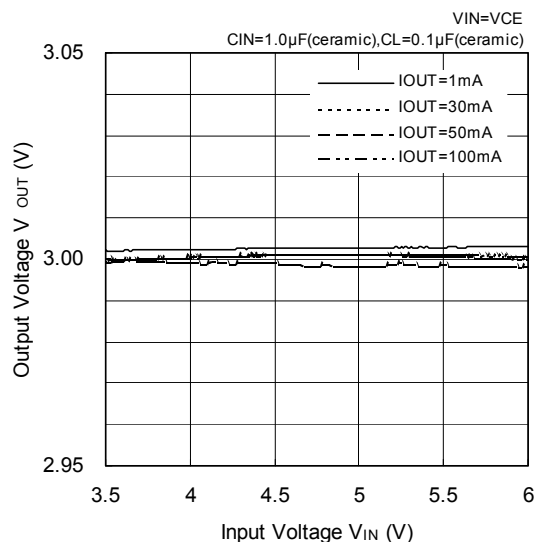
■ TYPICAL PERFORMANCE CHARACTERISTICS (Continued)

(2) Output Voltage vs. Input Voltage (Continued)

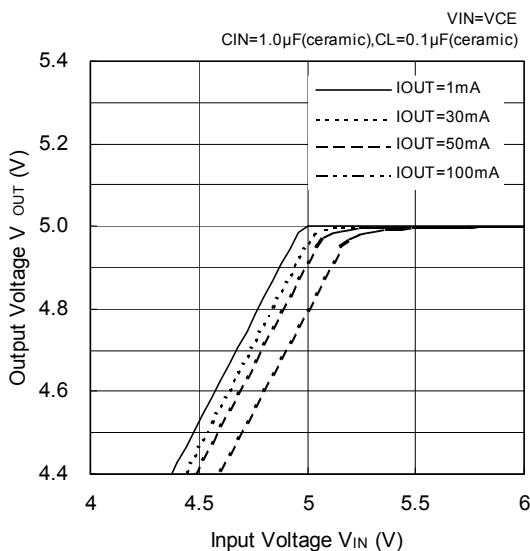
XC6215x302



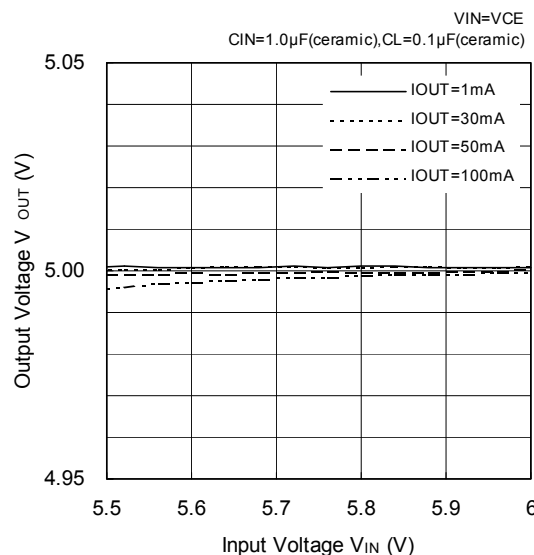
XC6215x302



XC6215x502

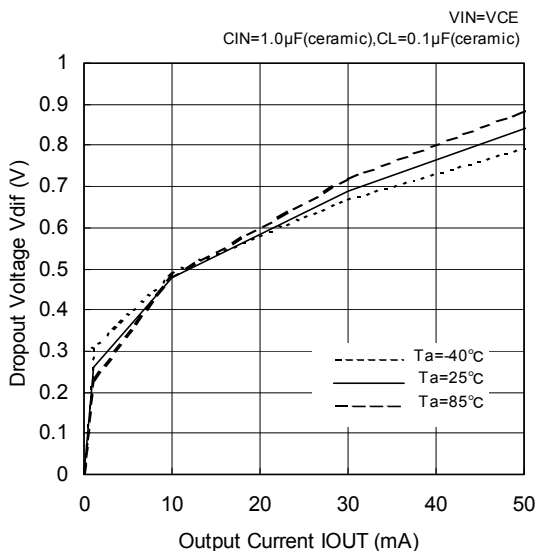


XC6215x502

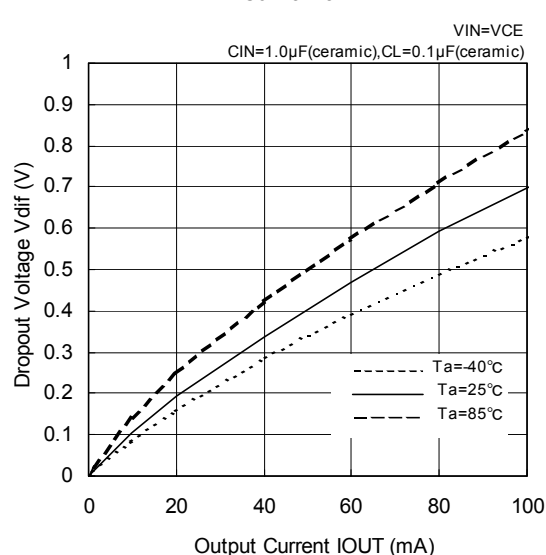


(3) Dropout Voltage vs. Output Current

XC6215x092



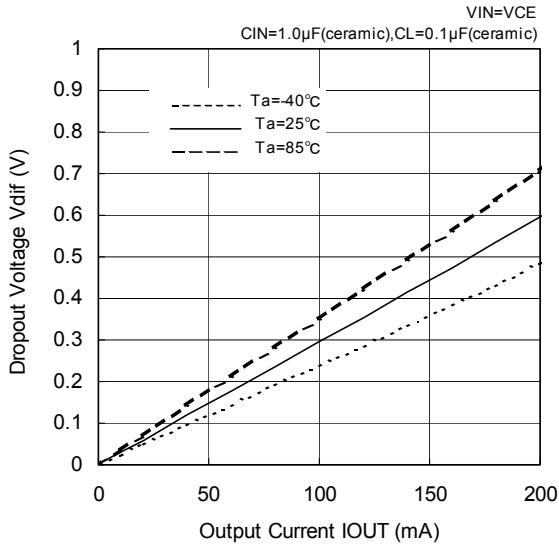
XC6215x152



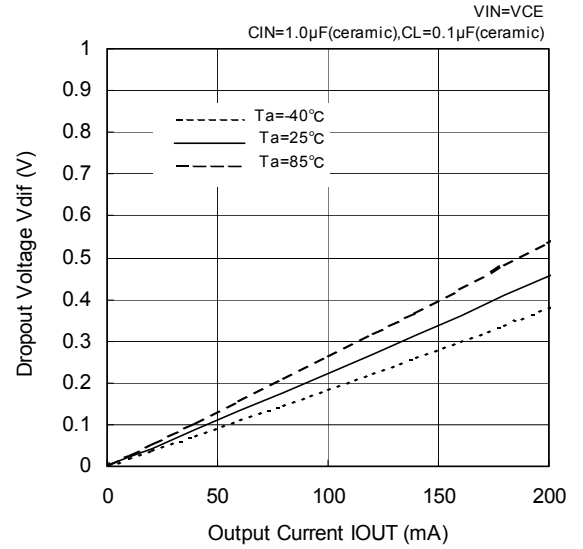
■ TYPICAL PERFORMANCE CHARACTERISTICS (Continued)

(3) Dropout Voltage vs. Output Current (Continued)

XC6215x302

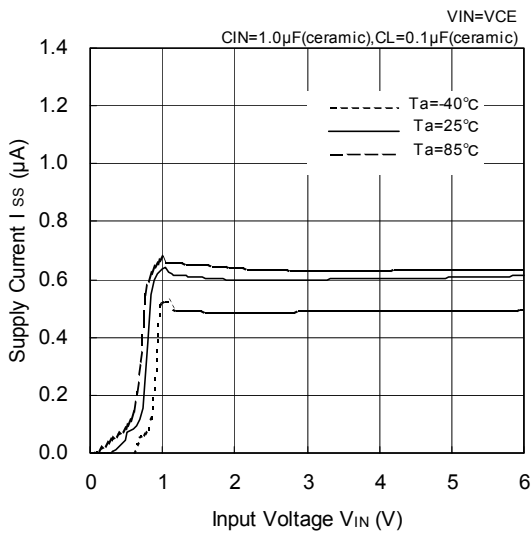


XC6215x502

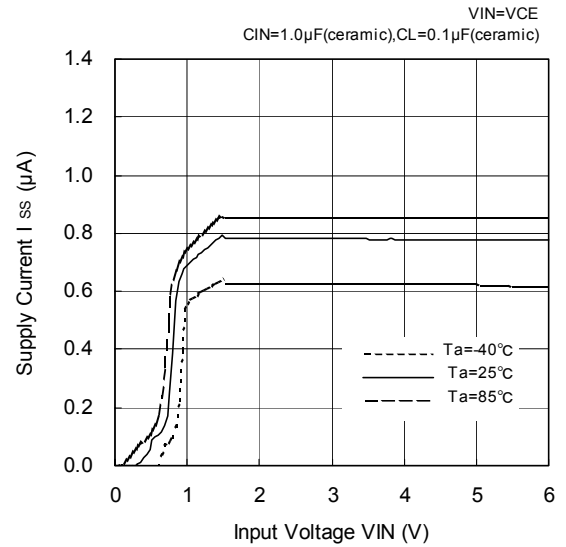


(4) Supply Current vs. Input Voltage

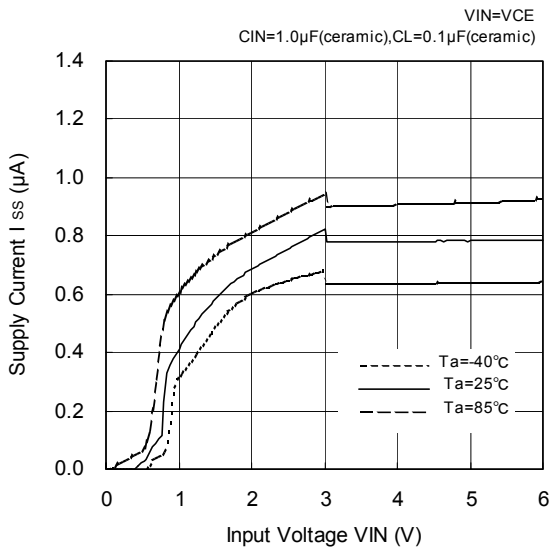
XC6215x092



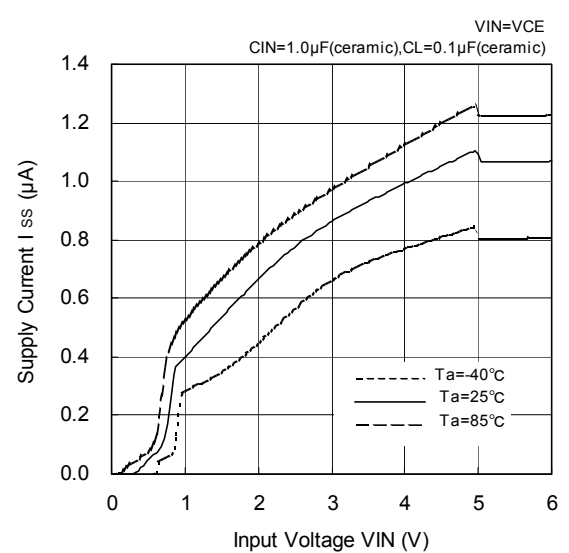
XC6215x152



XC6215x302

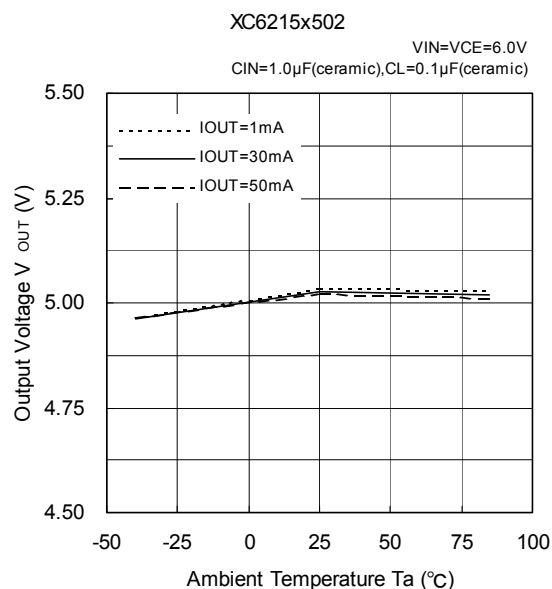
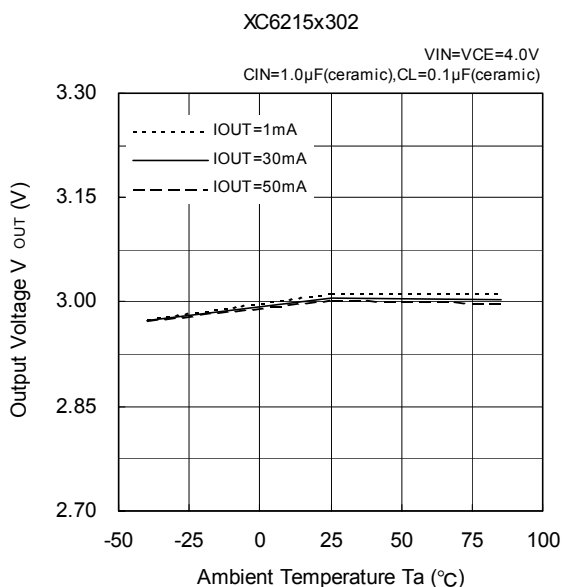
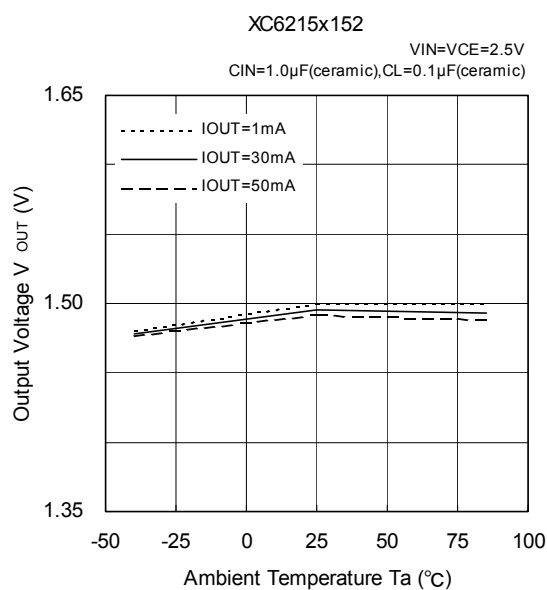
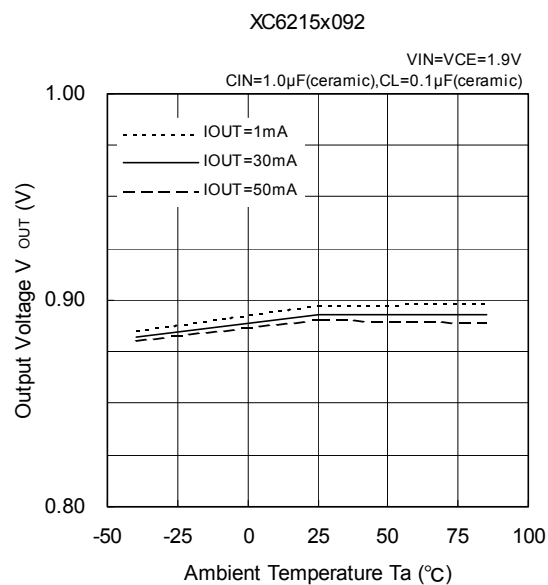


XC6215x502

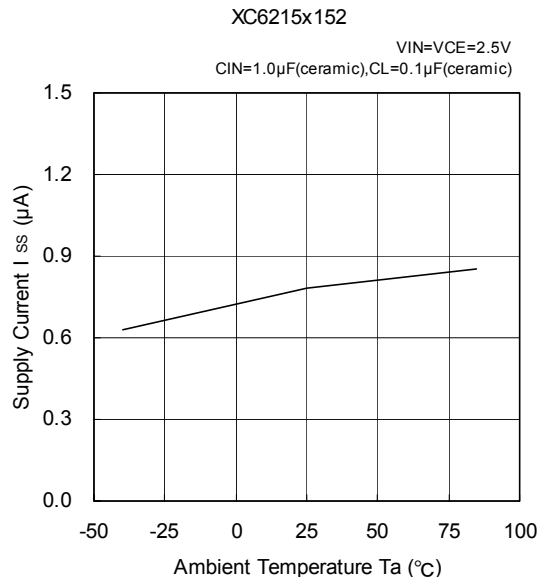
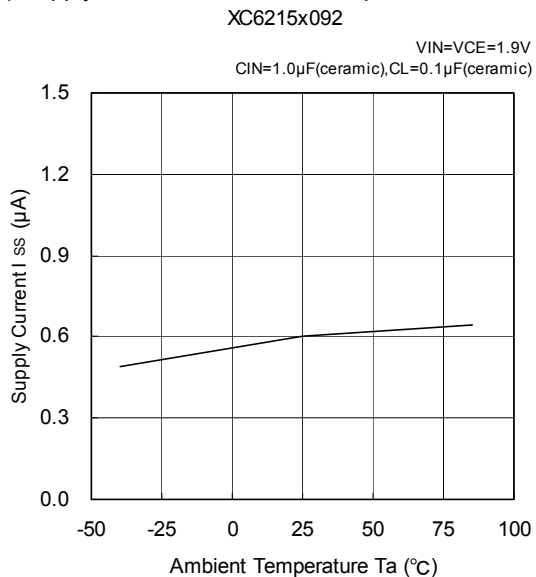


■ TYPICAL PERFORMANCE CHARACTERISTICS (Continued)

(5) Output Voltage vs. Ambient Temperature



(6) Supply Current vs. Ambient Temperature

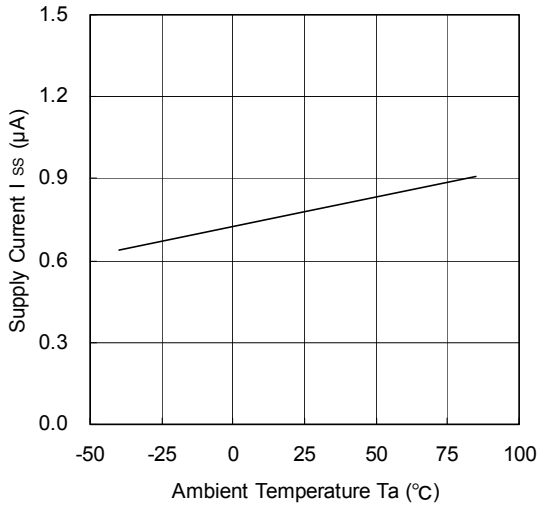


TYPICAL PERFORMANCE CHARACTERISTICS (Continued)

(6) Supply Current vs. Ambient Temperature (Continued)

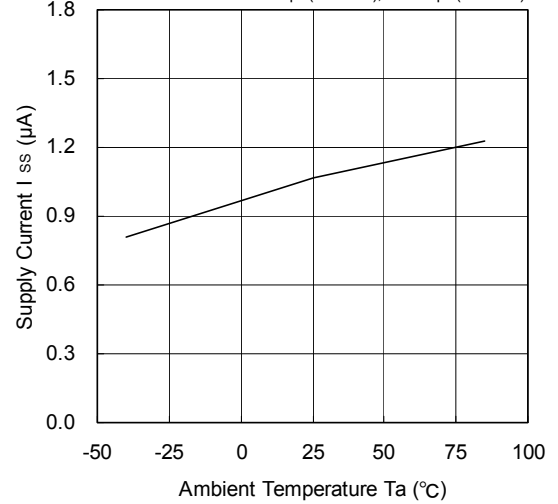
XC6215x302

VIN=VCE=4.0V
CIN=1.0μF(ceramic),CL=0.1μF(ceramic)



XC6215x502

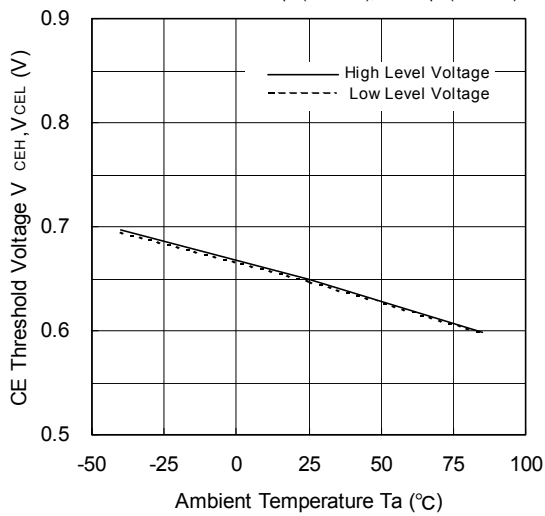
VIN=VCE=6.0V
CIN=1.0μF(ceramic),CL=0.1μF(ceramic)



(7) CE Threshold Voltage vs. Ambient Temperature

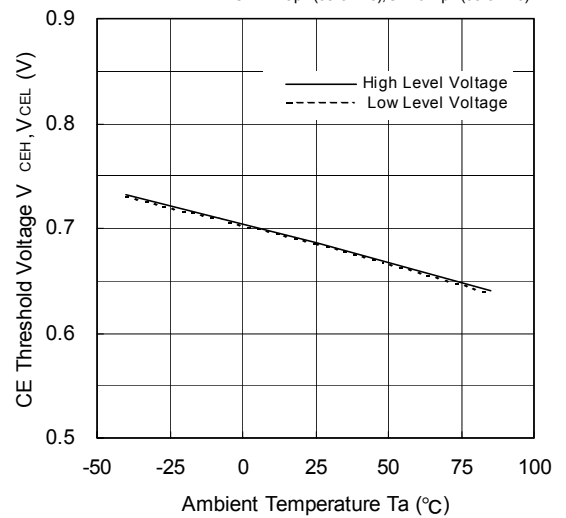
XC6215x092

VIN=1.9V, IOUT=1mA
CIN=1.0μF(ceramic),CL=0.1μF(ceramic)



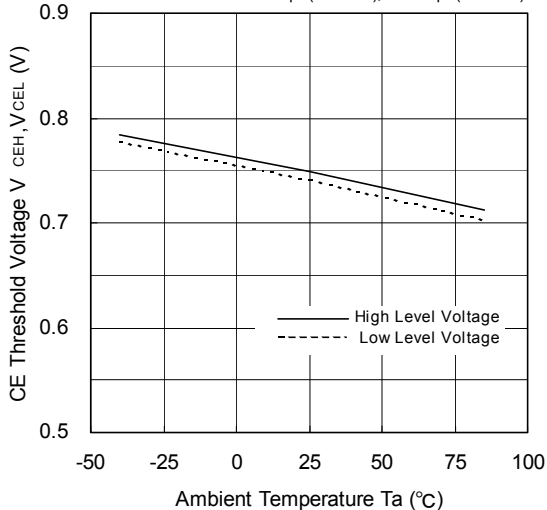
XC6215x152

VIN=2.5V, IOUT=1mA
CIN=1.0μF(ceramic),CL=0.1μF(ceramic)



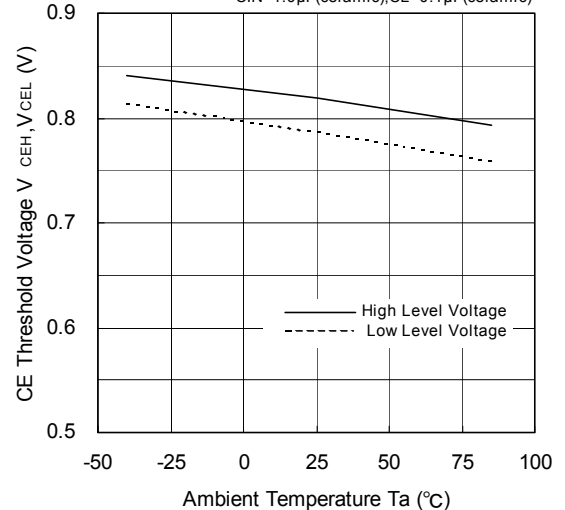
XC6215x302

VIN=4.0V, IOUT=1mA
CIN=1.0μF(ceramic),CL=0.1μF(ceramic)



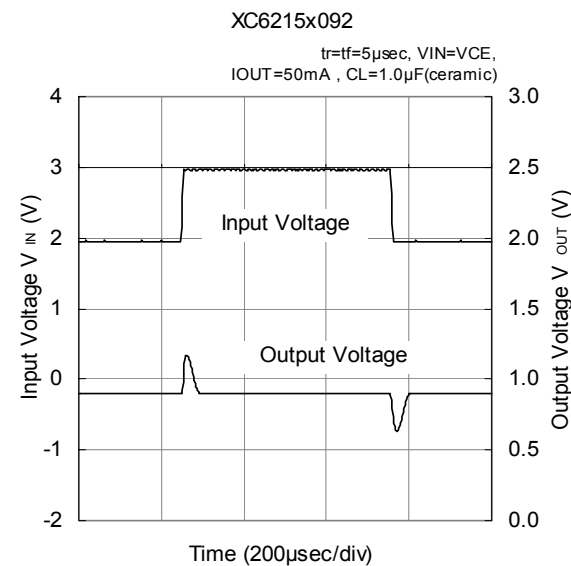
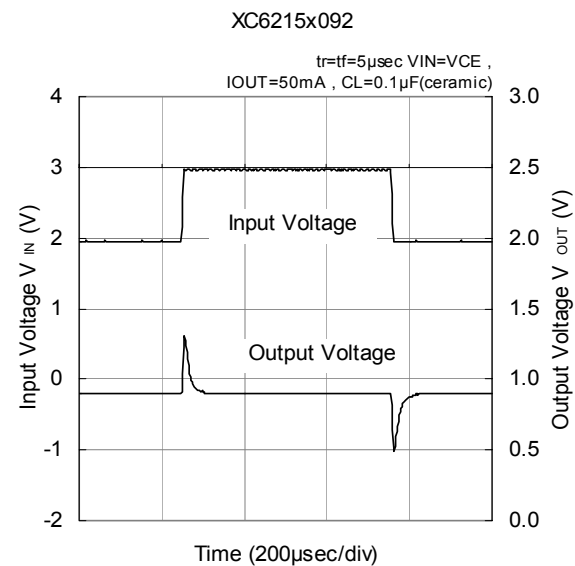
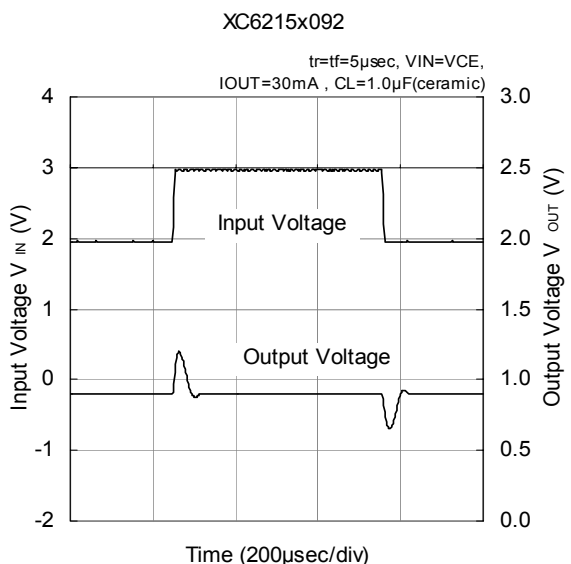
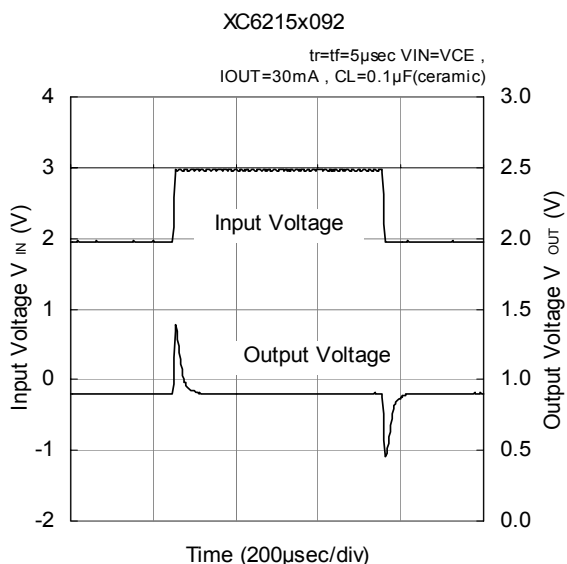
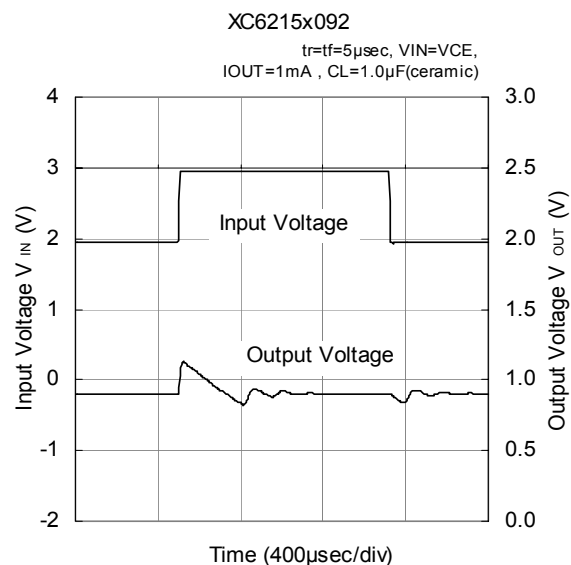
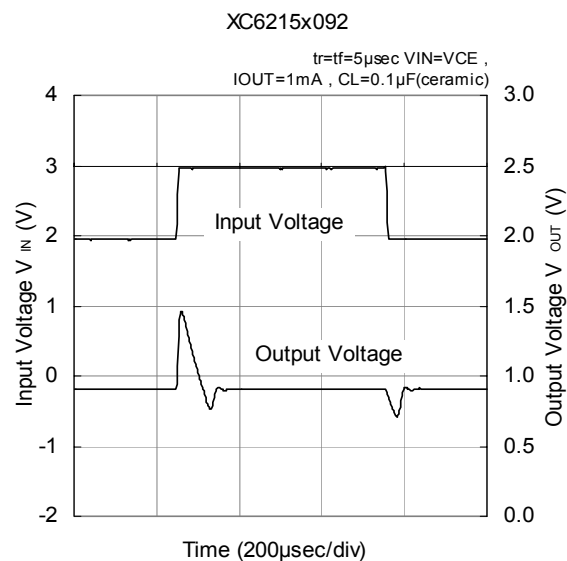
XC6215x502

VIN=6.0V, IOUT=1mA
CIN=1.0μF(ceramic),CL=0.1μF(ceramic)



■ TYPICAL PERFORMANCE CHARACTERISTICS (Continued)

(8) Input Transient Response

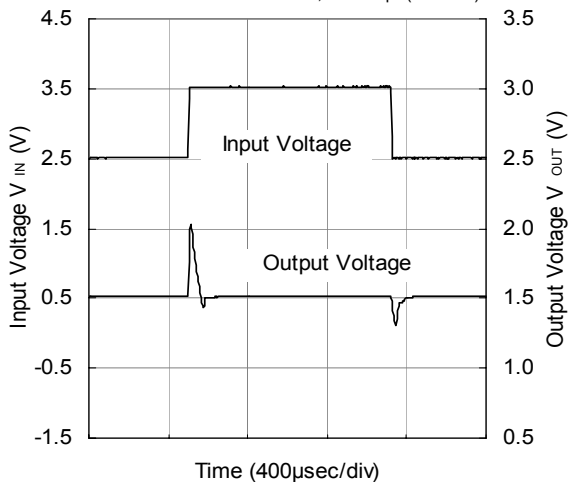


■ TYPICAL PERFORMANCE CHARACTERISTICS (Continued)

(8) Input Transient Response (Continued)

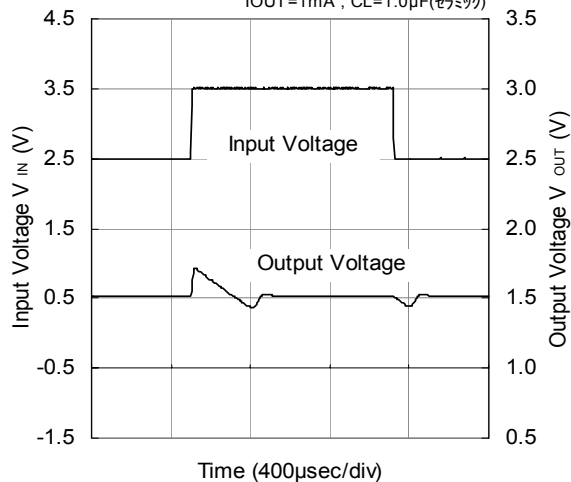
XC6215x152

$t_r=t_f=5\mu\text{sec}$ $V_{IN}=V_{CE}$,
 $I_{OUT}=1\text{mA}$, $C_L=0.1\mu\text{F}$ (ceramic)



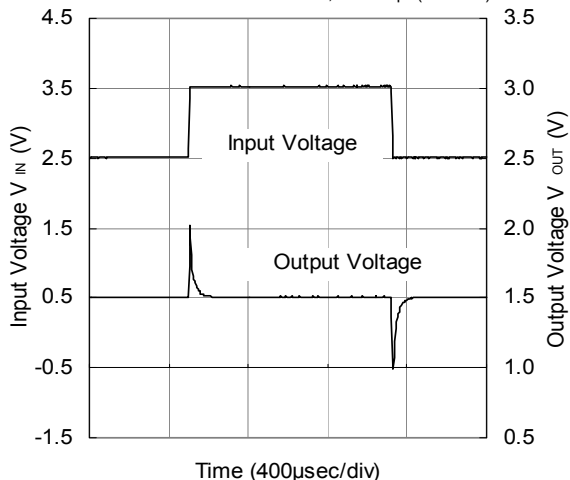
XC6215x152

$t_r=t_f=5\mu\text{sec}$, $V_{IN}=V_{CE}$,
 $I_{OUT}=1\text{mA}$, $C_L=1.0\mu\text{F}$ (セラミック)



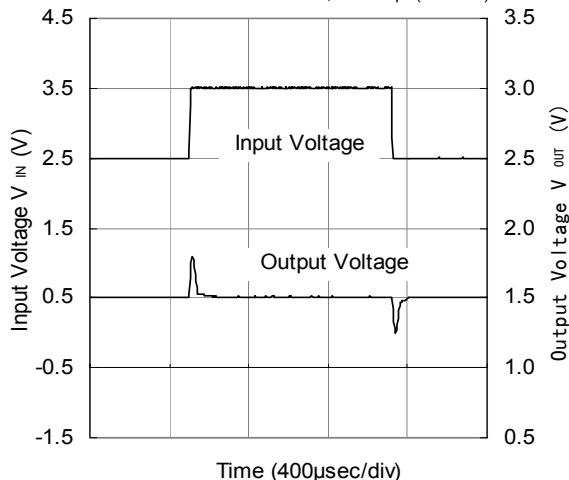
XC6215x152

$t_r=t_f=5\mu\text{sec}$ $V_{IN}=V_{CE}$,
 $I_{OUT}=30\text{mA}$, $C_L=0.1\mu\text{F}$ (ceramic)



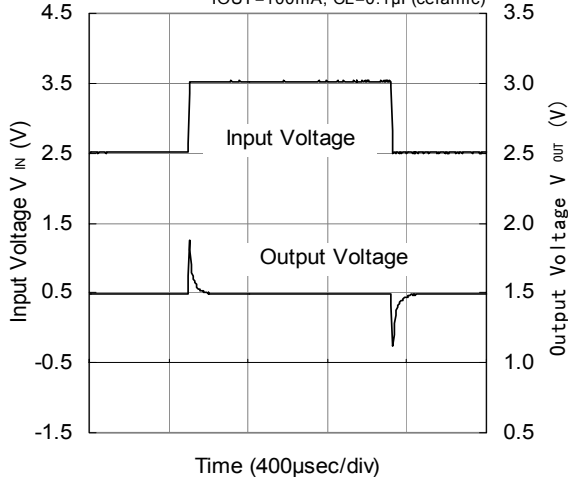
XC6215x152

$t_r=t_f=5\mu\text{sec}$, $V_{IN}=V_{CE}$,
 $I_{OUT}=30\text{mA}$, $C_L=1.0\mu\text{F}$ (ceramic)



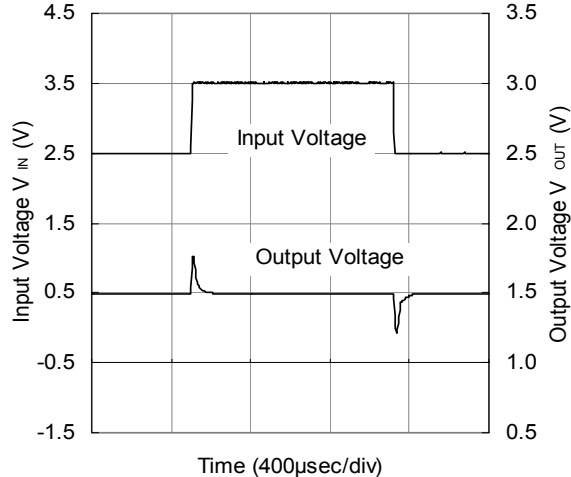
XC6215x152

$t_r=t_f=5\mu\text{sec}$, $V_{IN}=V_{CE}$,
 $I_{OUT}=100\text{mA}$, $C_L=0.1\mu\text{F}$ (ceramic)



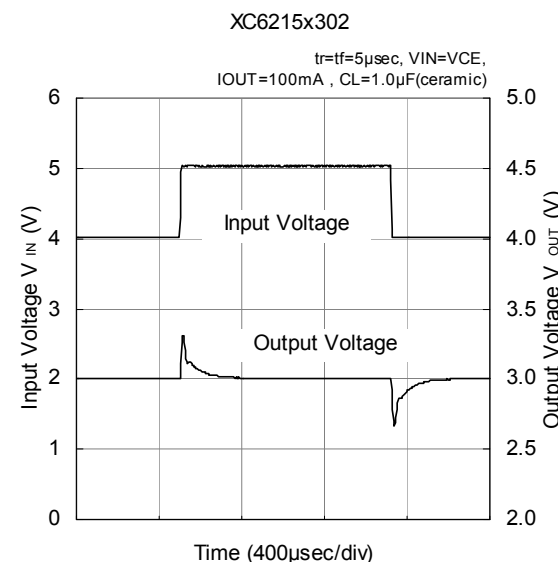
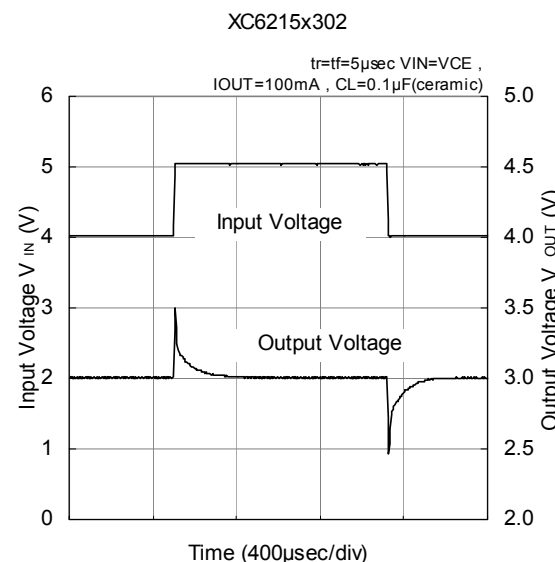
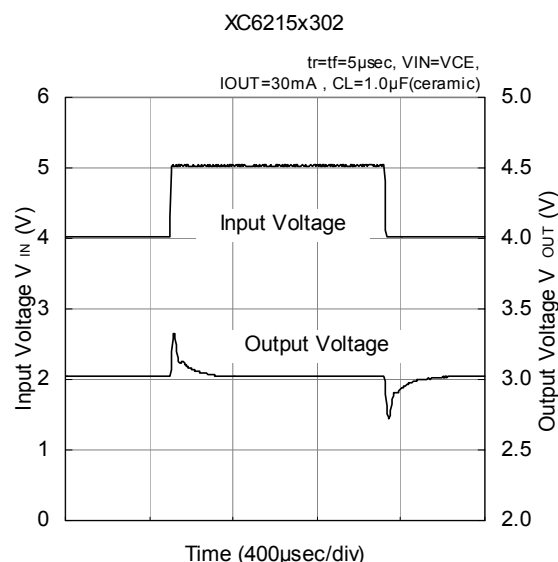
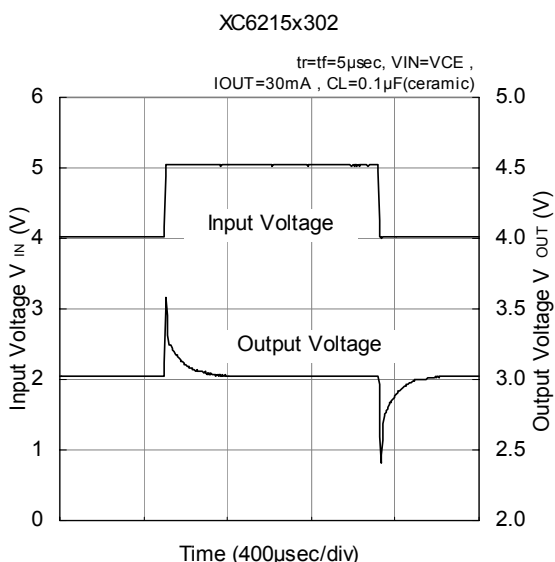
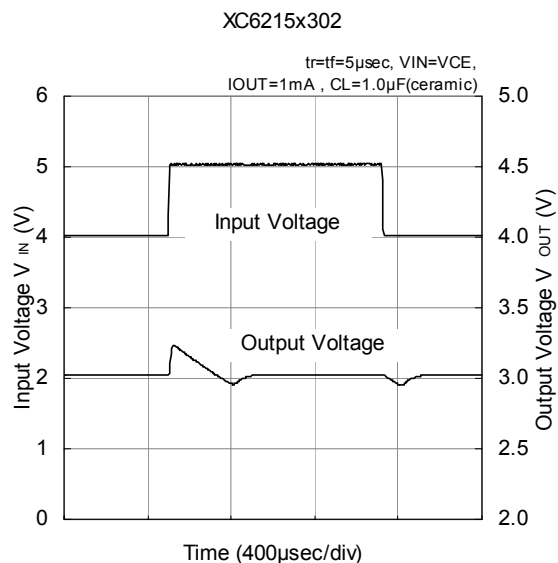
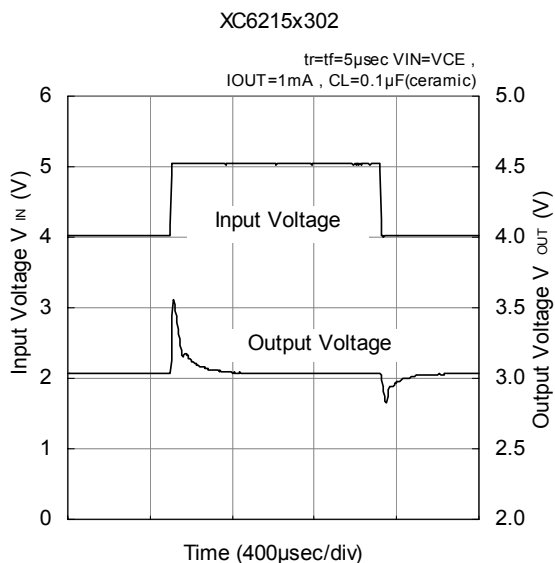
XC6215x152

$t_r=t_f=5\mu\text{sec}$, $V_{IN}=V_{CE}$,
 $I_{OUT}=100\text{mA}$, $C_L=1.0\mu\text{F}$ (ceramic)



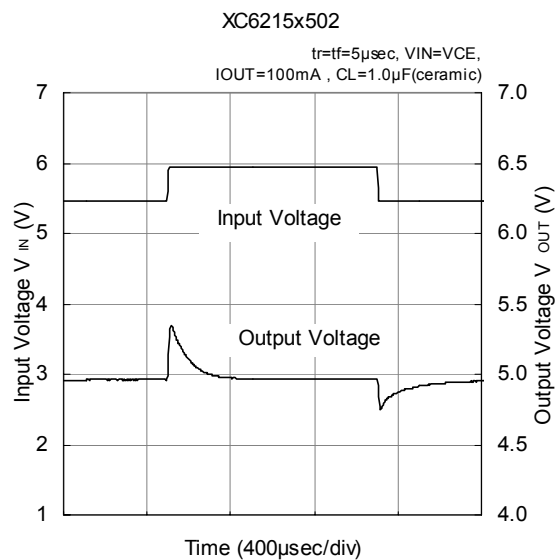
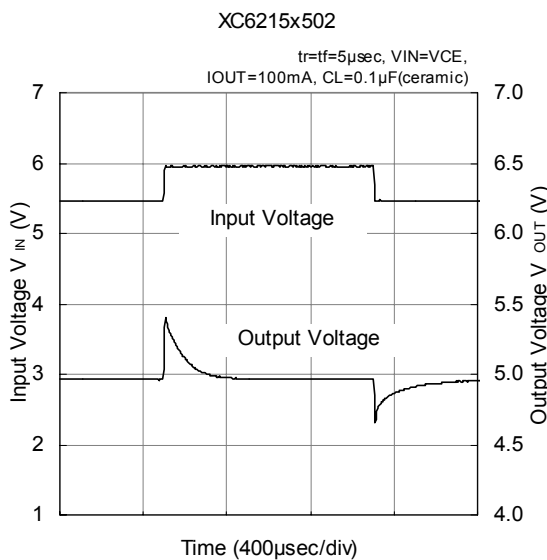
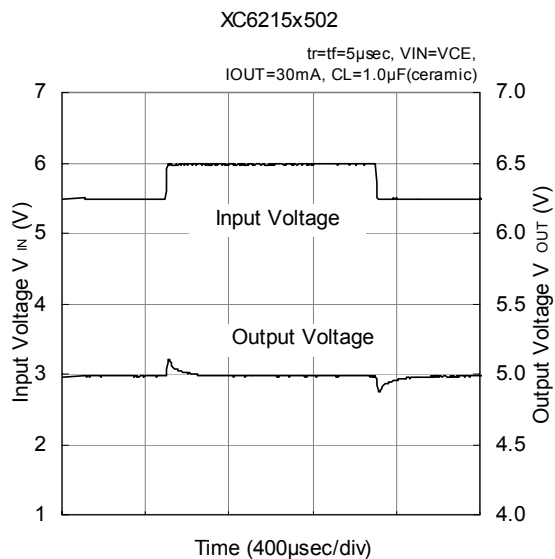
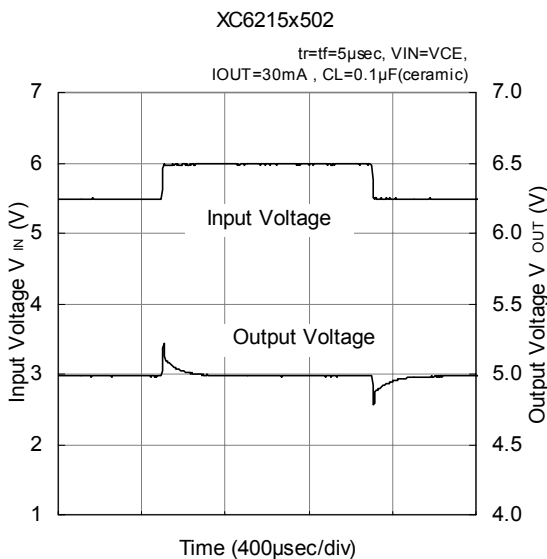
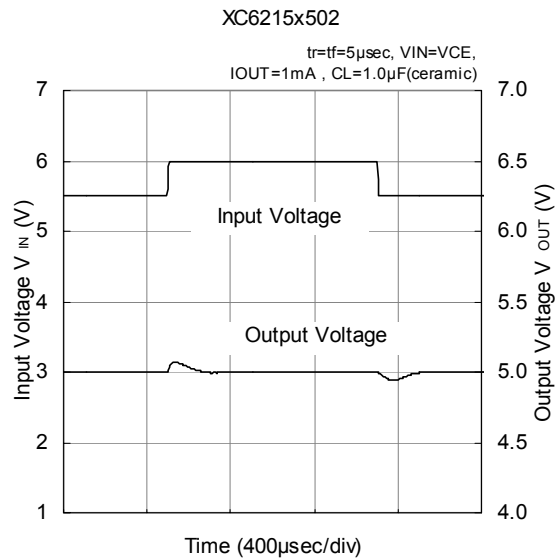
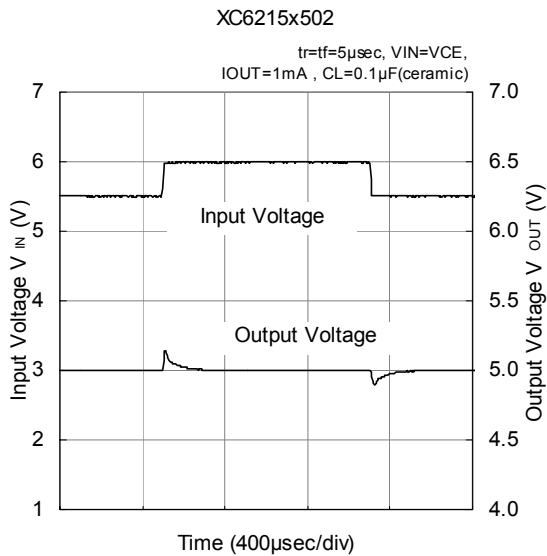
■ TYPICAL PERFORMANCE CHARACTERISTICS (Continued)

(8) Input Transient Response (Continued)



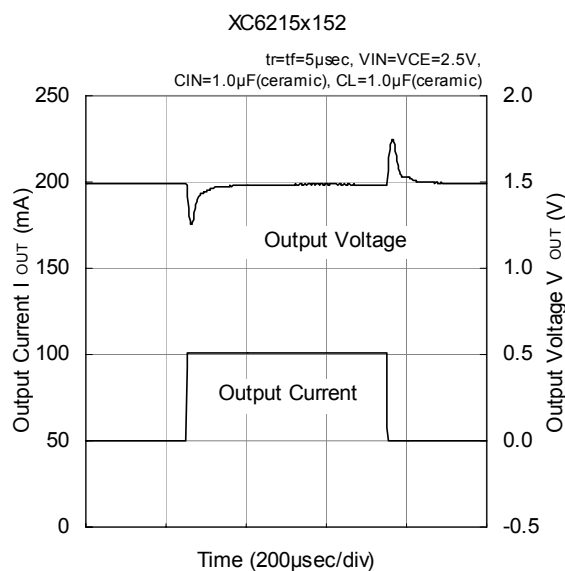
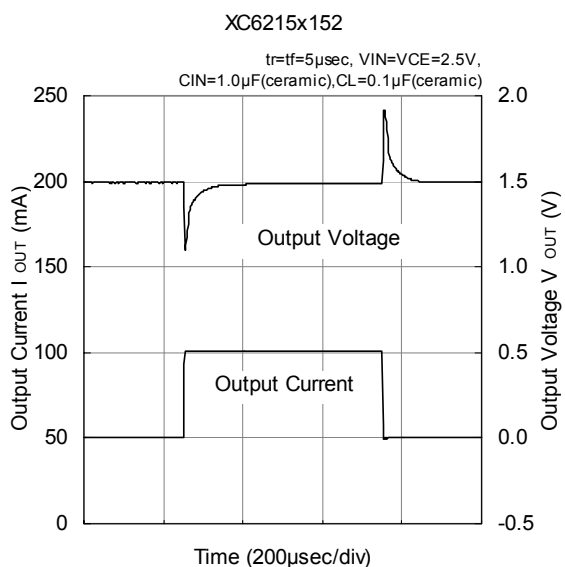
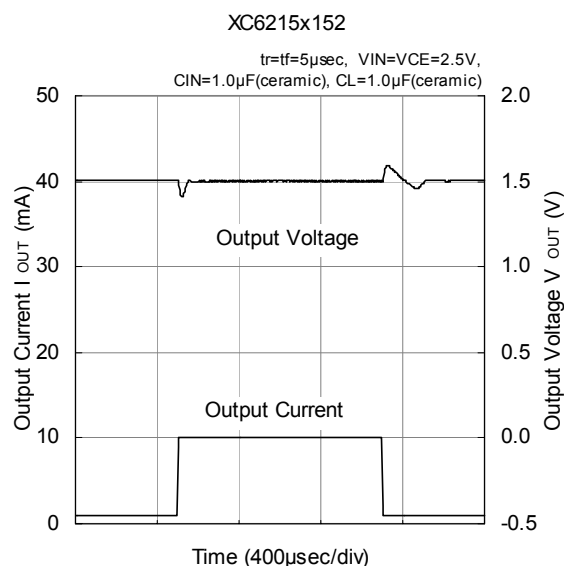
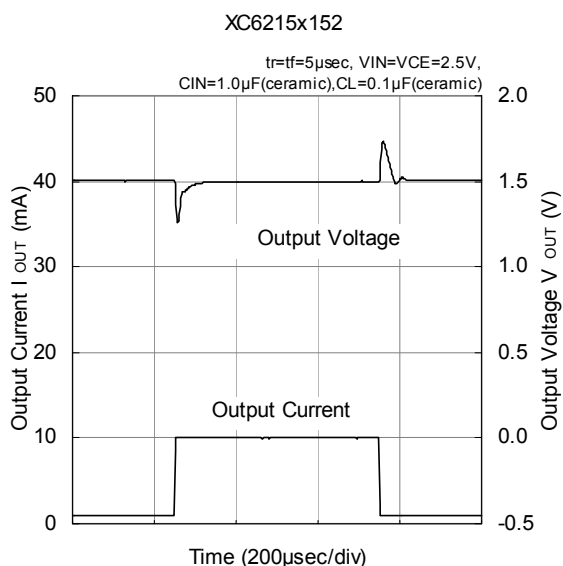
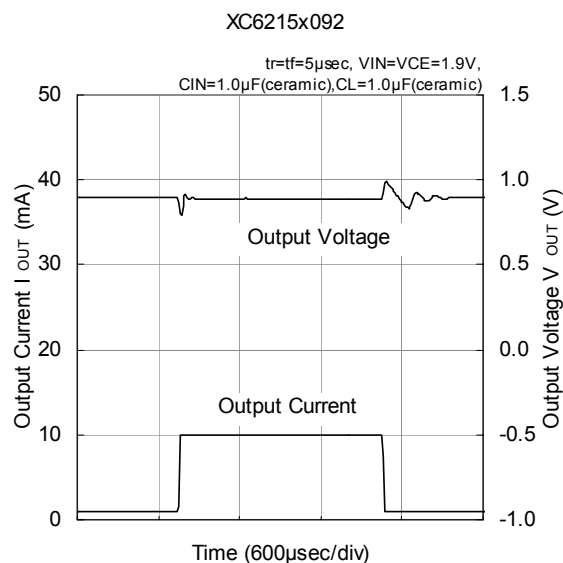
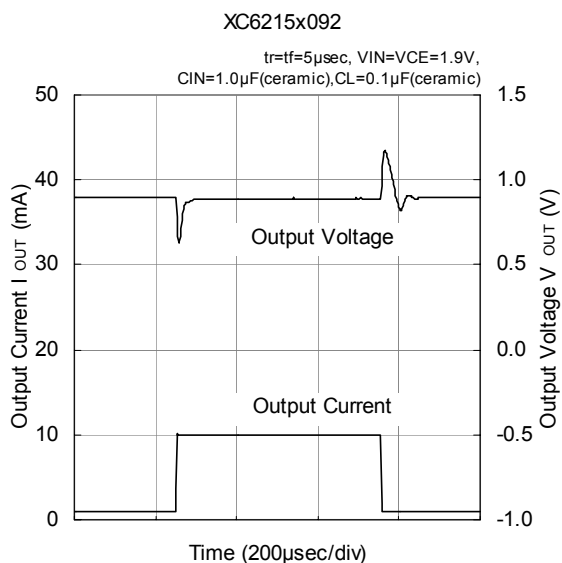
■ TYPICAL PERFORMANCE CHARACTERISTICS (Continued)

(8) Input Transient Response (Continued)



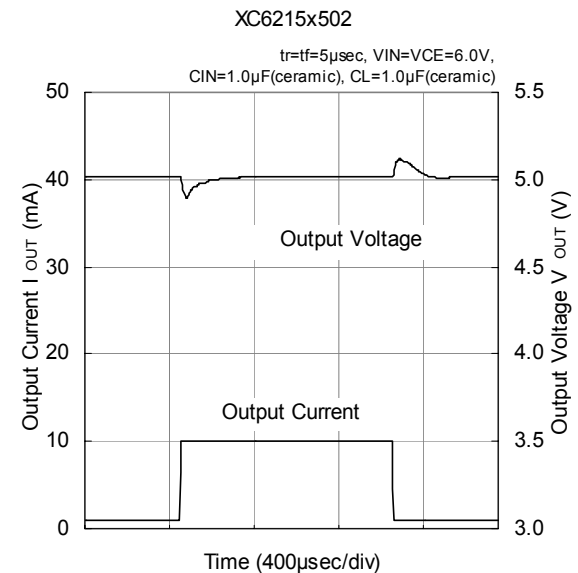
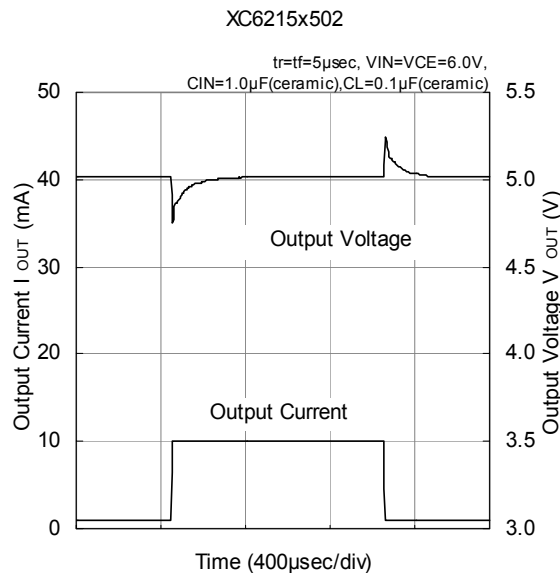
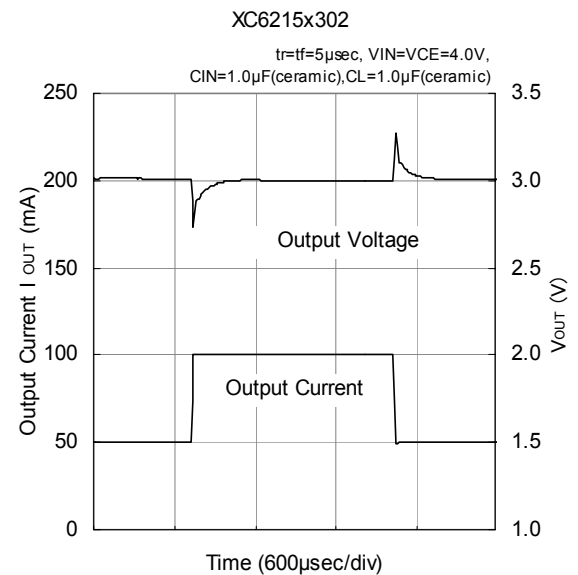
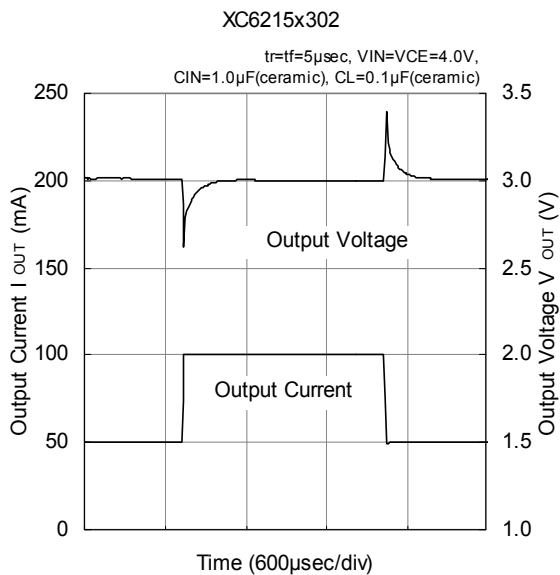
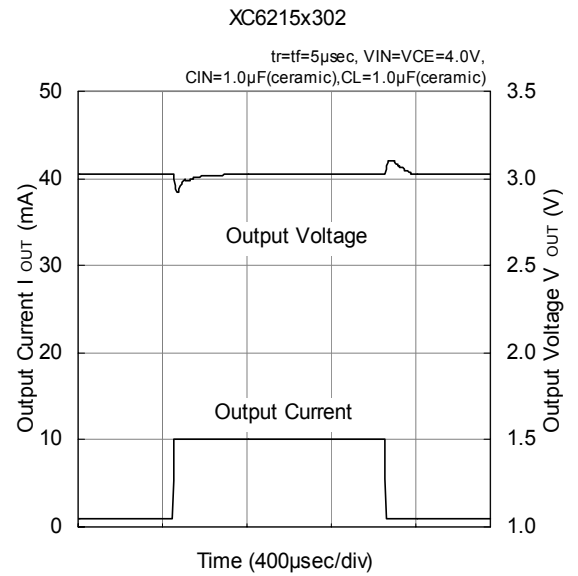
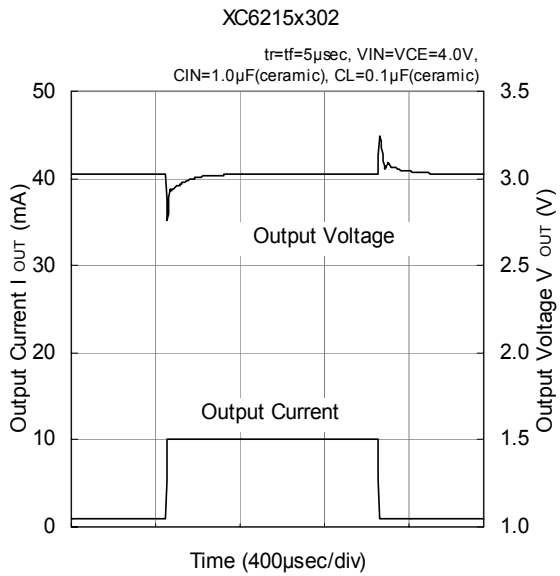
TYPICAL PERFORMANCE CHARACTERISTICS (Continued)

(9) Load Transient Response



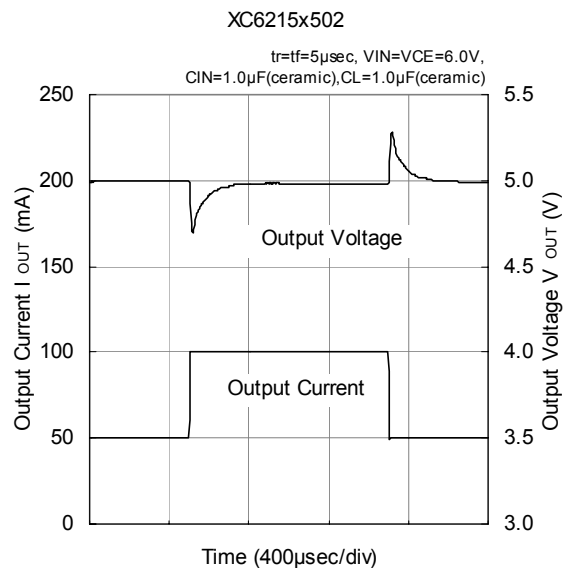
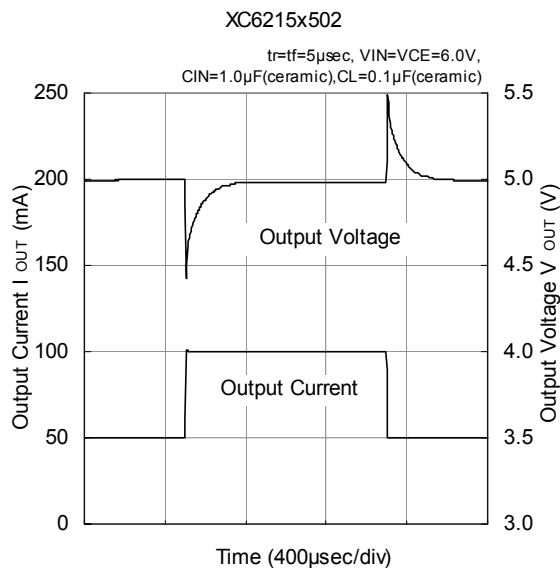
TYPICAL PERFORMANCE CHARACTERISTICS (Continued)

(9) Load Transient Response (Continued)

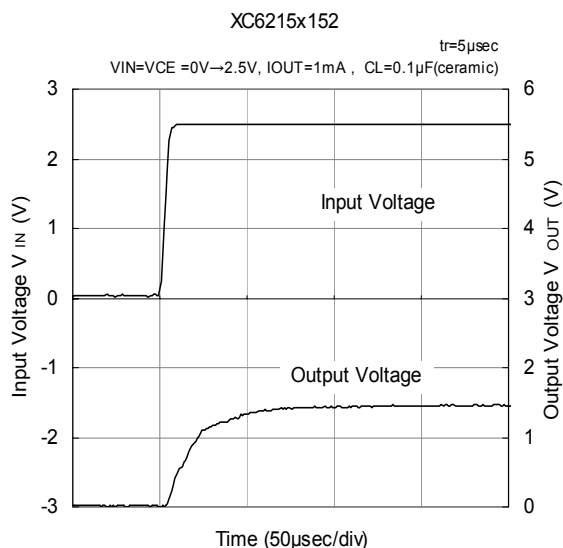
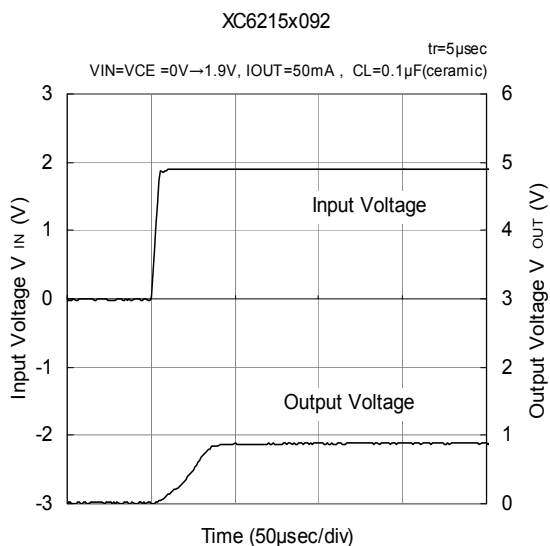
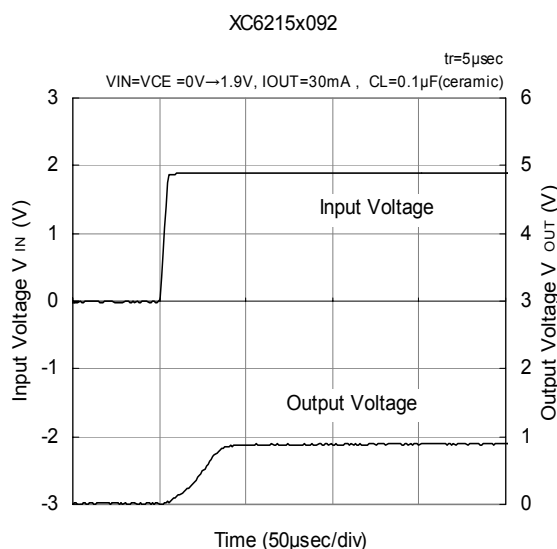
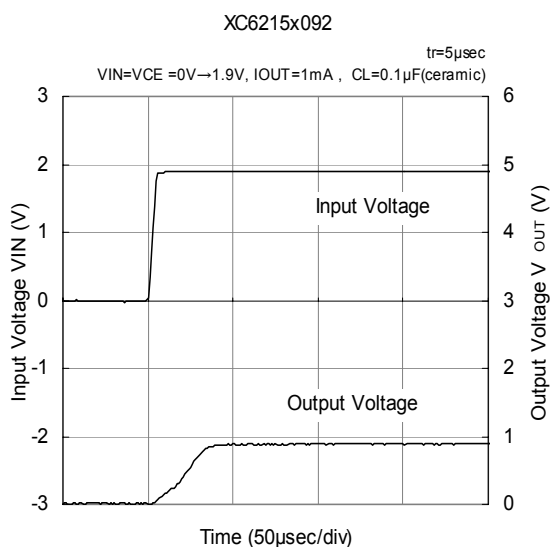


TYPICAL PERFORMANCE CHARACTERISTICS (Continued)

(9) Load Transient Response (Continued)

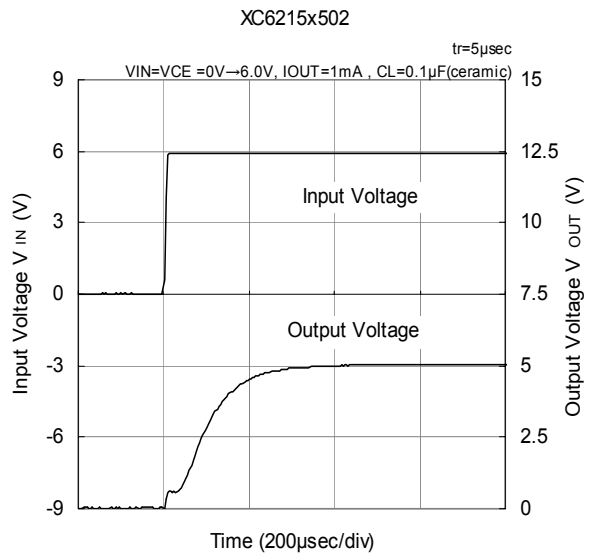
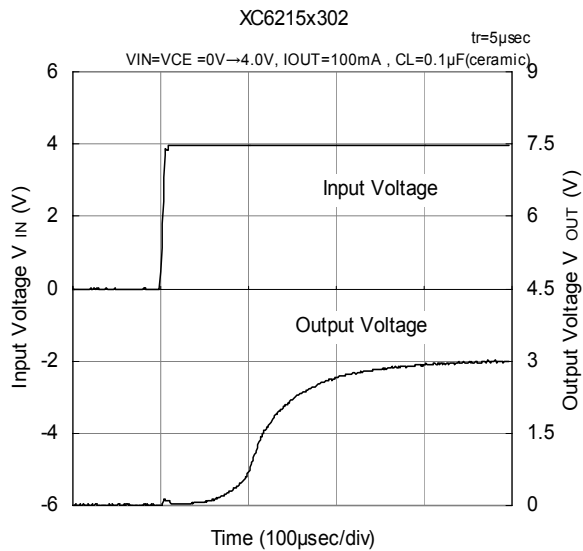
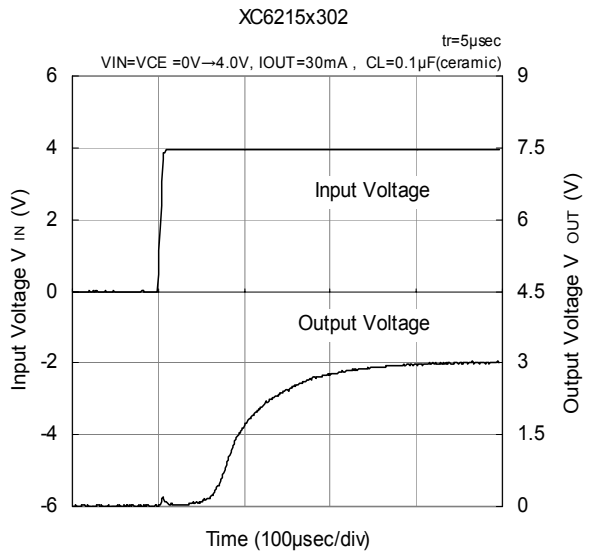
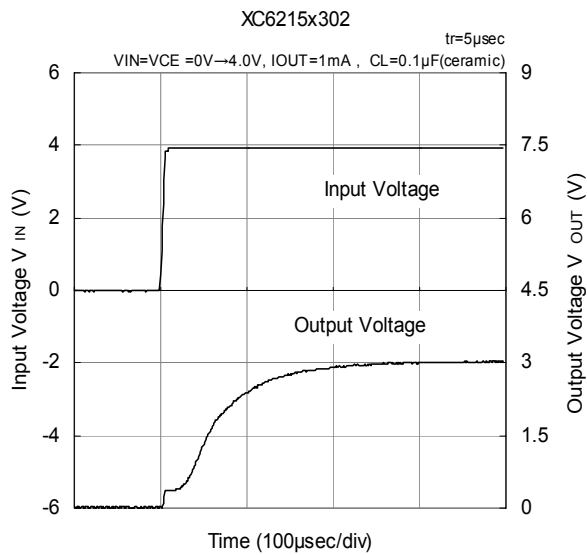
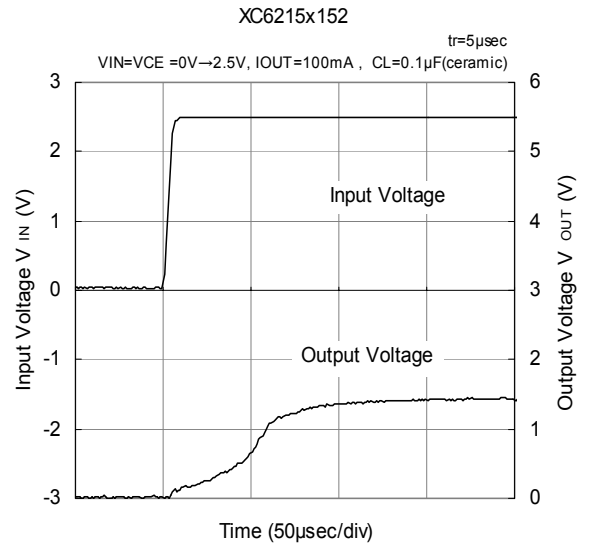
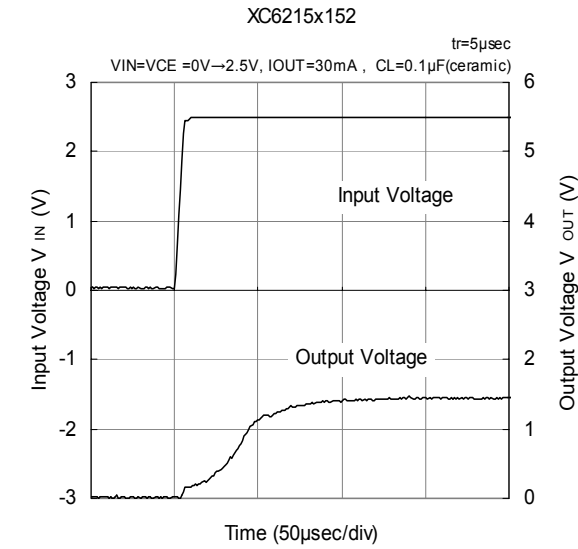


(10) Rising Response Time



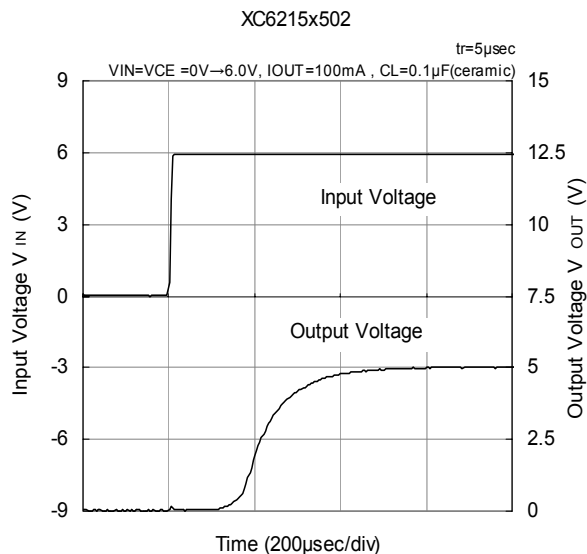
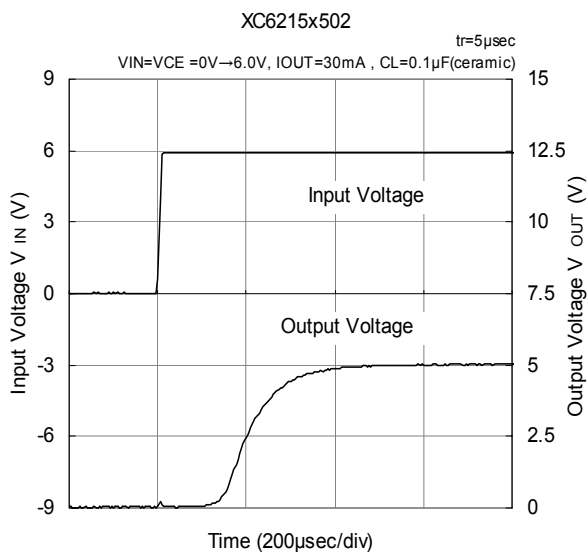
■ TYPICAL PERFORMANCE CHARACTERISTICS (Continued)

(10) Rising Response Time (Continued)

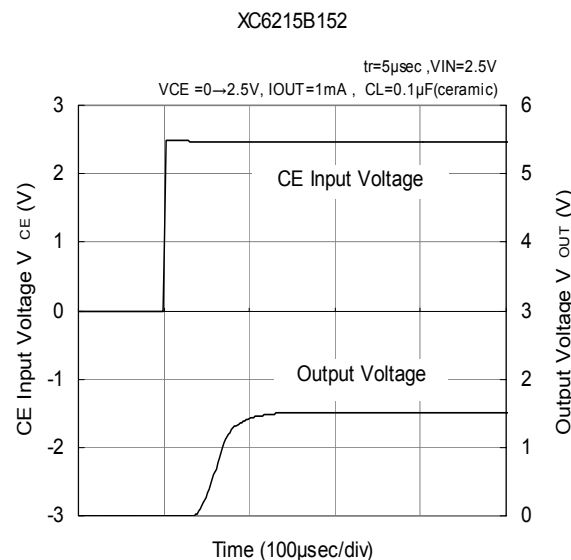
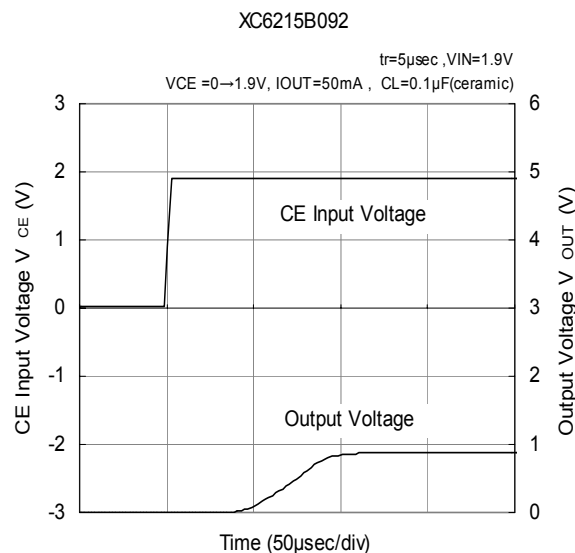
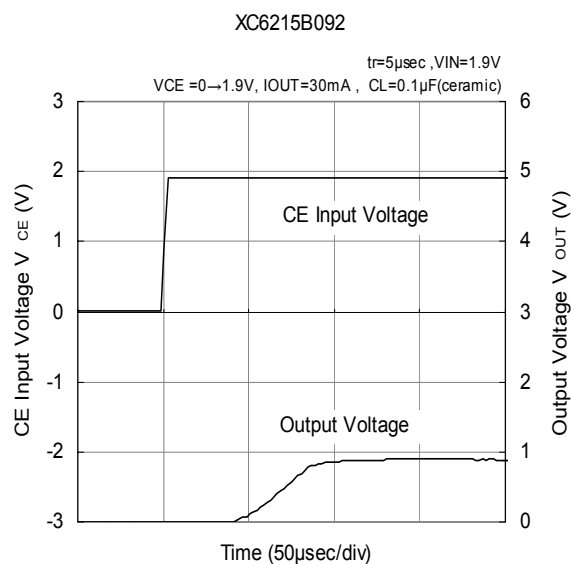
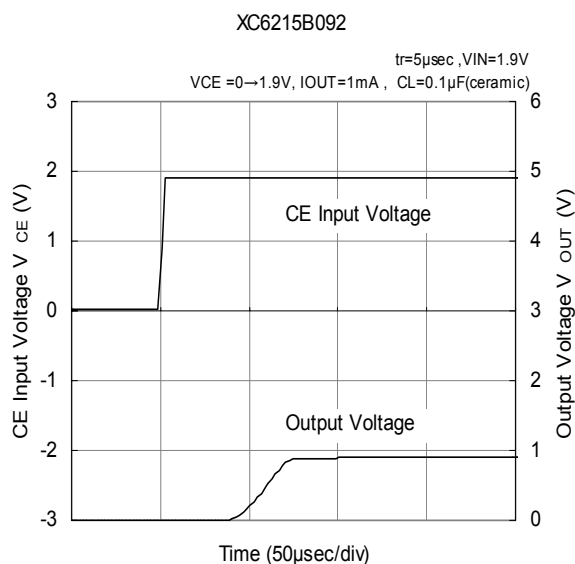


■ TYPICAL PERFORMANCE CHARACTERISTICS (Continued)

(10) Rising Response Time (Continued)



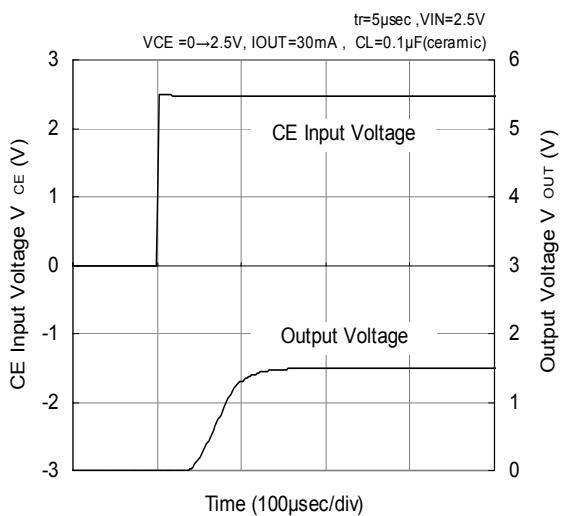
(11) CE Rising Response Time (For XC6215B Type)



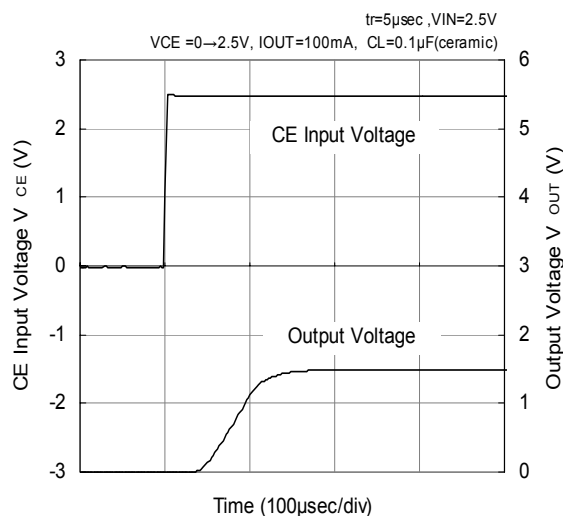
TYPICAL PERFORMANCE CHARACTERISTICS (Continued)

(11) CE Rising Response Time (Continued)

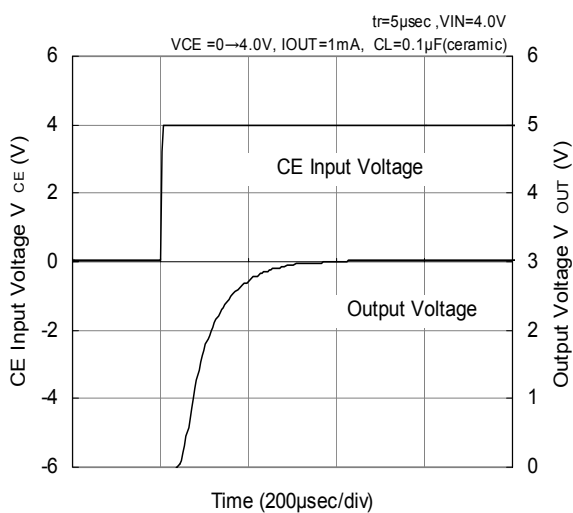
XC6215B152



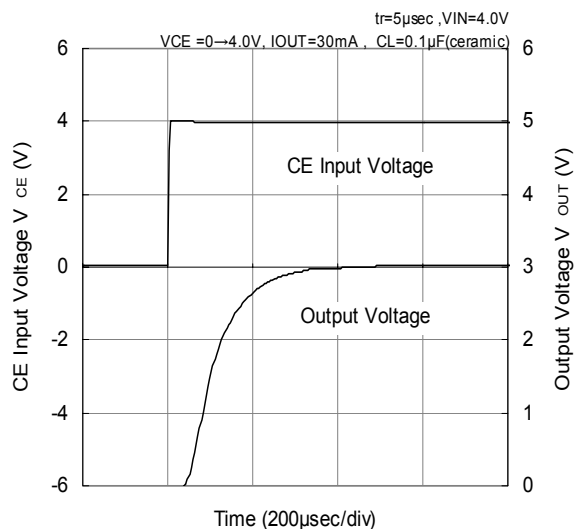
XC6215B152



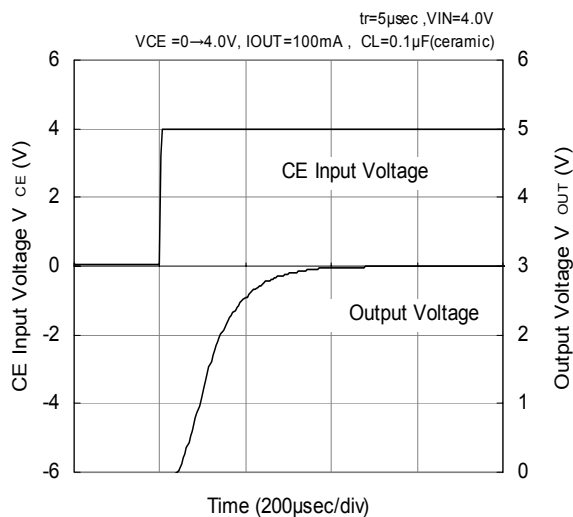
XC6215B302



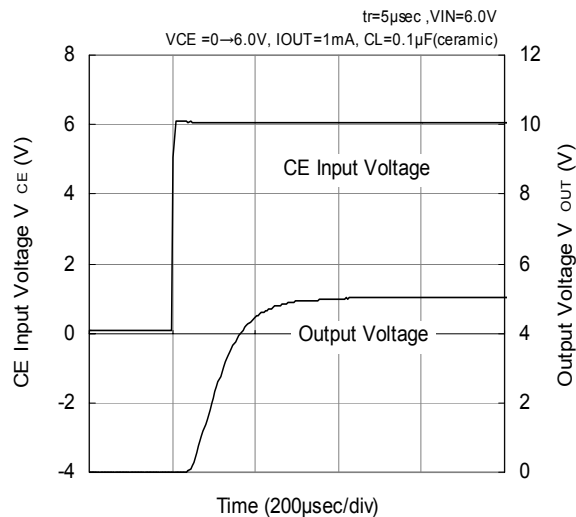
XC6215B302



XC6215B302



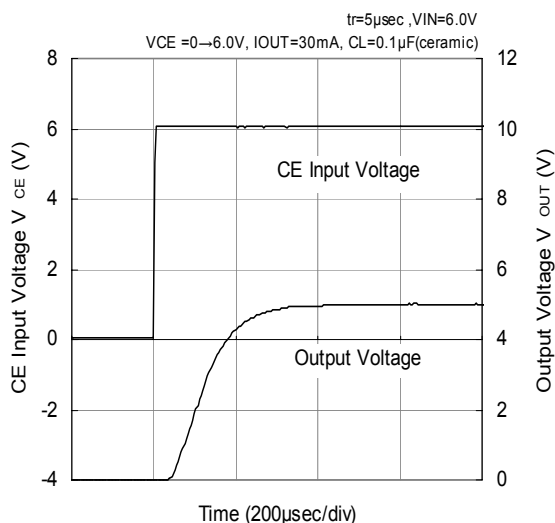
XC6215B502



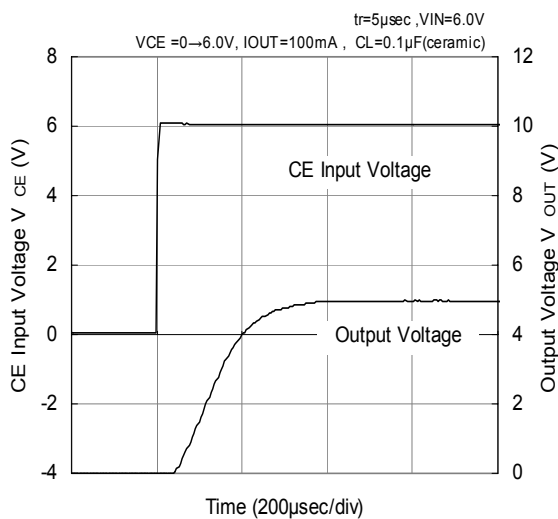
TYPICAL PERFORMANCE CHARACTERISTICS (Continued)

(11) CE Rising Response Time (For XC6215 Type)

XC6215B502

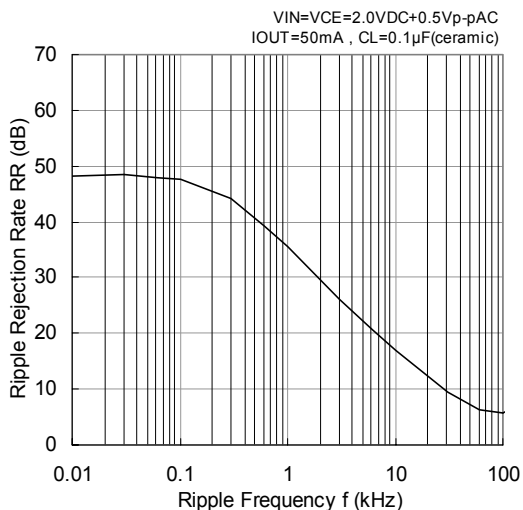


XC6215B502

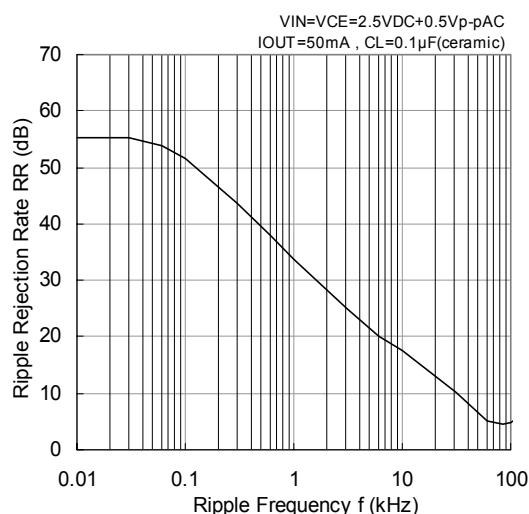


(12) Ripple Rejection Rate

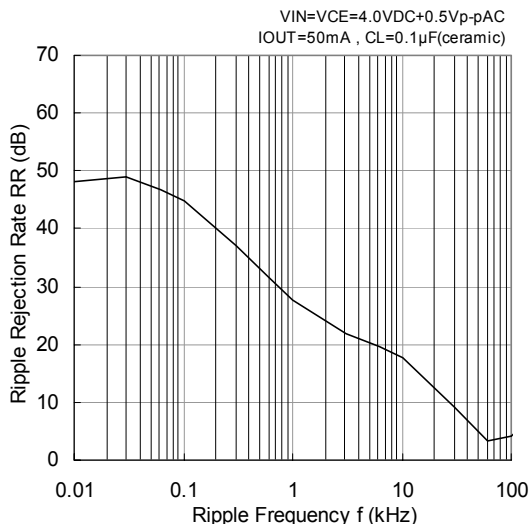
XC6215x092



XC6215x152



XC6215x302



XC6215x502

