

# Customer Information Sheet

DRAWING No.: M80-500XXX

SHEET 2 OF 2

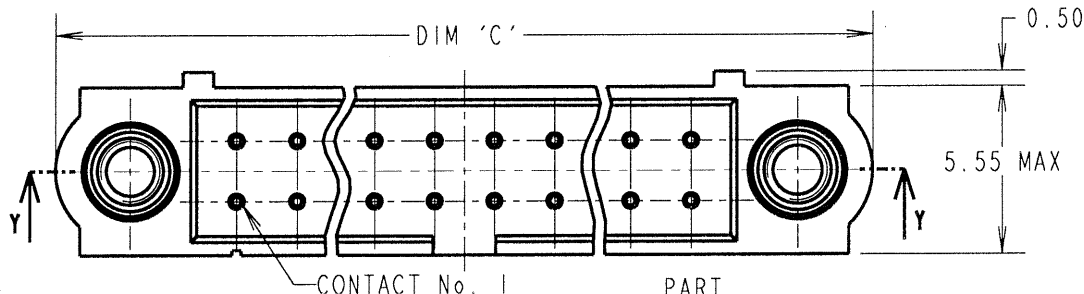
IF IN DOUBT - ASK



NOT TO SCALE

THIRD ANGLE PROJECTION

ALL DIMENSIONS IN mm



ORDER CODE:  
**M80-500XXX**

No. OF CONTACTS  
 06, 10, 12, 14, 20,  
 26, 34, 42, 50

FINISH  
 22 - SELECTIVE GOLD + TIN/LEAD  
 42 - SELECTIVE GOLD + 100% TIN

SPECIFICATIONS:

MATERIAL:  
 MOULDING = GLASS-FILLED PPS,  
 UL94V-0, BLACK  
 CONTACT = PHOSPHOR BRONZE  
 JACKSCREW = STAINLESS STEEL

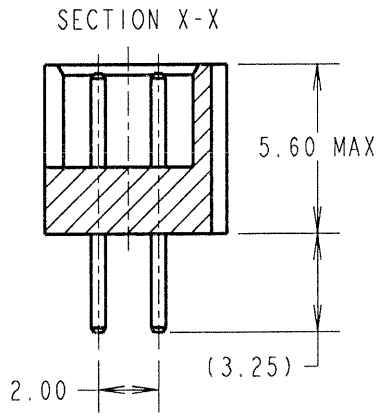
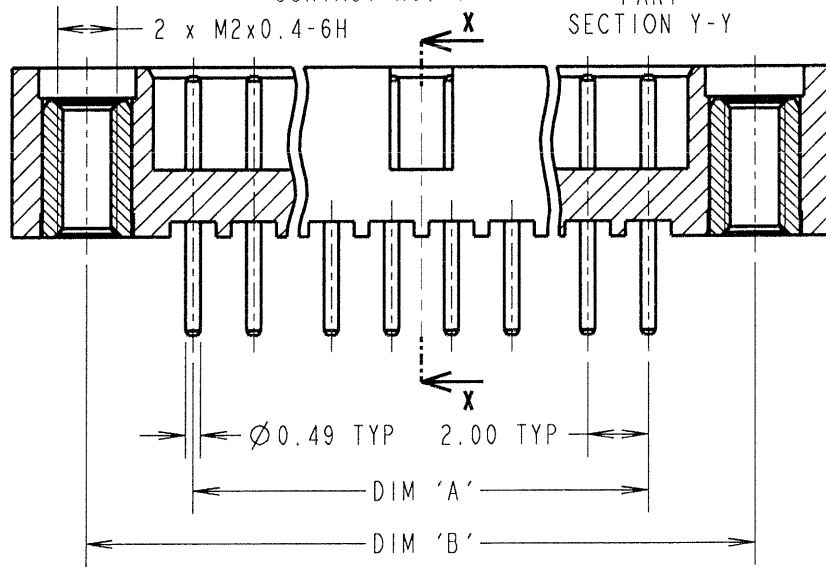
FINISH:  
 22 CONTACT = 0.75µ GOLD ON CONTACT AREA,  
 3µ 90/10 TIN/LEAD ON TAILS  
 42 CONTACT = 0.75µ GOLD ON CONTACT AREA,  
 3µ 100% TIN ON TAILS

ELECTRICAL:  
 CURRENT RATING AT 25°C = 3.0A MAX  
 CURRENT RATING AT 85°C = 2.2A MAX  
 WORKING VOLTAGE = 120V AC/DC  
 VOLTAGE PROOF = 360V AC/DC  
 CONTACT RESISTANCE = 25 mΩ MAX  
 INSULATION RESISTANCE = 100 MΩ MIN

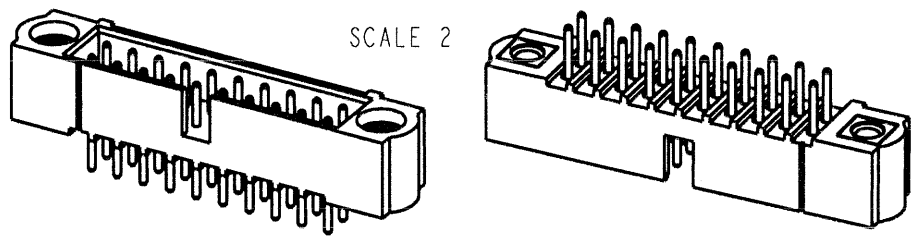
MECHANICAL:  
 DURABILITY = 500 OPERATIONS

ENVIRONMENTAL:  
 TEMPERATURE RANGE = -55°C TO +125°C

PACKING:  
 TUBE  
 FOR COMPLETE SPECIFICATION, SEE  
 COMPONENT SPECIFICATION C005XX  
 (LATEST ISSUE)



NOTES:  
 1. RECOMMENDED PCB HOLE  
 SIZE = Ø0.65mm MIN.



ASSEMBLY PART No.	No. OF CONTACTS	DIM 'A'	DIM 'B'	DIM 'C'
M80-50006XX	6	4.00	11.00	16.00
M80-50010XX	10	8.00	15.00	20.00
M80-50012XX	12	10.00	17.00	22.00
M80-50014XX	14	12.00	19.00	24.00
M80-50020XX	20	18.00	25.00	30.00
M80-50026XX	26	24.00	31.00	36.00
M80-50034XX	34	32.00	39.00	44.00
M80-50042XX	42	40.00	47.00	52.00
M80-50050XX	50	48.00	55.00	60.00

JMB	C	20.12.06	9625
NAME	ISS.	DATE	C/NOTE
APPROVED: <i>JMB</i>			
CHECKED: <i>[Signature]</i>			
DRAWN: W. J. BOURNE		CUSTOMER REF.:	
ASSEMBLY DRG:			

**HARWIN**

HARWIN INC U.S.A. TEL: (812) 542 2540 FAX: (812) 542 2541	HARWIN PLC U.K. TEL: 023 9231 4545 FAX: 023 9231 4590	HARWIN PTE SINGAPORE TEL: 65 6779 4909 FAX: 65 6779 3868
--	--	---

THIS DRAWING AND ANY INFORMATION OR DESCRIPTIVE MATTER SET OUT HEREON ARE CONFIDENTIAL AND COPYRIGHT PROPERTY OF THE HARWIN GROUP AND MUST NOT BE DISCLOSED, LOANED, COPIED OR USED FOR MANUFACTURING, TENDERING OR FOR ANY OTHER PURPOSE WITHOUT THEIR WRITTEN PERMISSION.

TOLERANCES  
 X. = ±1mm  
 X.X = ±0.25mm  
 X.XX = ±0.10mm  
 X.XXX = ±0.01mm

ANGLES = ±5°  
 UNLESS STATED

MATERIAL:  
 SEE ABOVE

FINISH: SEE ABOVE

S/AREA: mm<sup>2</sup>

TITLE: JACKSCREW DATAMATE  
 DIL VERTICAL PC TAIL  
 MALE ASSEMBLY

DRAWING NUMBER: **M80-500XXX**

SHT 2 OF 2