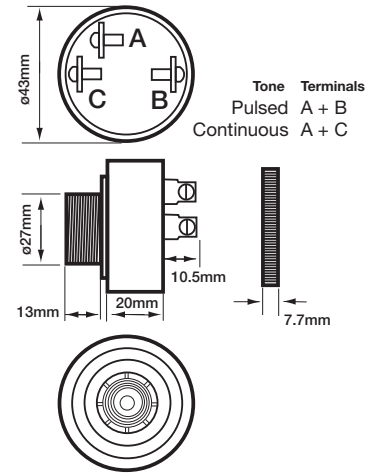


# Audible Signals PIEZO BUZZERS



## SOUNDERS



## Acoustic Signals > AE20M Piezo Buzzer Series

### Product overview

The AE20M Piezo Buzzer Series offers an economical and cost effective solution for local area applications. At only

43mm diameter, the buzzer offers the installer an unobtrusive acoustic signal in a wide range of voltages with most voltages offering pulsed or continuous tone capability.

### Features

Compact

90 dB

Pulsed or continuous tone

Local signalling applications

IP55

### Material

ABS Plastic

Code No:	Voltage:	Frequency:	Current:
AE20M-12	12v Ac/Dc ~	2900 Hz	20 mA
AE20M-24	24v Ac/Dc ~	2900 Hz	10 mA
AE20M-48	48v Ac/Dc ~	2900 Hz	10 mA
AE20M-115	115v Ac ~	2900 Hz	20 mA
AE20M-230	230v Ac ~	2900 Hz	10 mA

• Pulsed tone only



**Kg** 0.08

**50/60 Hz**

**°C** -20+60

**IP** 55

**dB** 90

**PULSED OR CONTINUOUS**

APPROVAL AND CONFORMITIES



**INDUSTRIAL**