

Electrical / Environmental

HM72B

High Power High Performance Molded
Surface Mount Inductors



- Operating Temperature Range -40°C to +130°C
- Temperature Rise, Maximum +50°C
- Operating Frequency Up to 3MHz

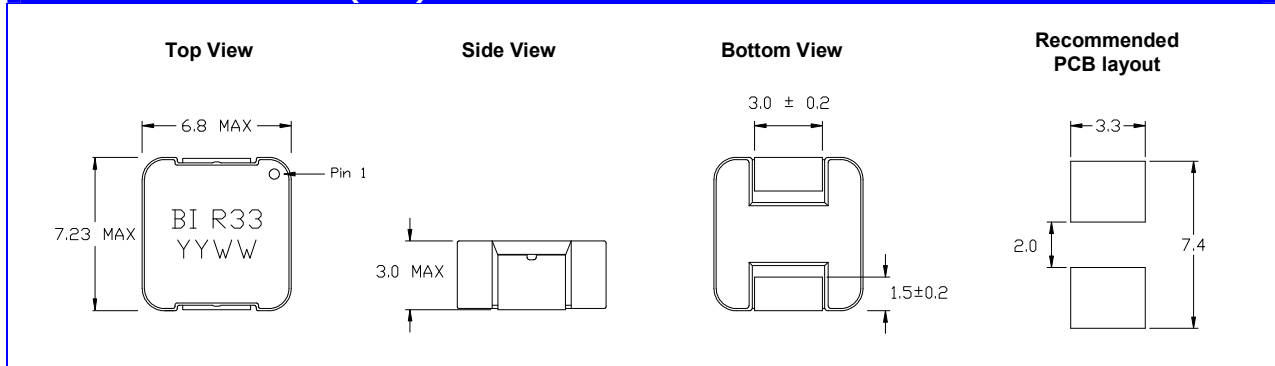
Specification @ 25°C

Part Number	Inductance ⁽¹⁾ μH±20%	Heating Current ⁽²⁾ (A _{dc})	Isat ⁽³⁾ (A _{dc})	DCR (mΩ)	
				Typ.	Max.
HM72B-06R10LF	0.10	26.2	60.0	1.5	1.7
HM72B-06R15LF	0.15	23.3	52.0	1.9	2.5
HM72B-06R22LF	0.22	20.3	40.0	2.5	2.8
HM72B-06R33LF	0.33	18.0	30.0	3.2	3.9
HM72B-06R47LF	0.47	16.1	26.0	4.0	4.2
HM72B-06R68LF	0.68	14.4	25.0	5.0	5.5
HM72B-06R82LF	0.82	12.0	24.0	7.2	8.0
HM72B-061R0LF	1.00	10.3	22.0	9.0	10.0
HM72B-061R5LF	1.50	8.4	18.0	13.0	14.0
HM72B-062R2LF	2.20	8.3	14.0	15.0	20.0
HM72B-063R3LF	3.30	6.6	13.5	26.5	28.0
HM72B-064R7LF	4.70	5.4	10.0	35.0	40.0
HM72B-066R8LF	6.80	4.1	8.0	62.0	68.0
HM72B-06100LF	10.0	3.2	7.0	100.0	105.0
HM72B-06220LF	22.0	2.2	4.5	219.0	241.0
HM72B-06330LF	33.0	1.8	3.5	302.0	332.0

Notes:

- (1) Inductance is measured at 100 kHz, 0.1Vac without DC current.
- (2) The Heating Current is the DC current which causes the component temperature to increase by 50°C. This current is determined by soldering the component on a typical application PCB, and then applying the current to the device for 30 minutes.
- (3) The saturation current (Isat) is the approximate current at which the inductance will be decreased by 20% typical from its initial (zero DC) value.

Outline Dimensions (mm)



Last Updated: 10 November 2010

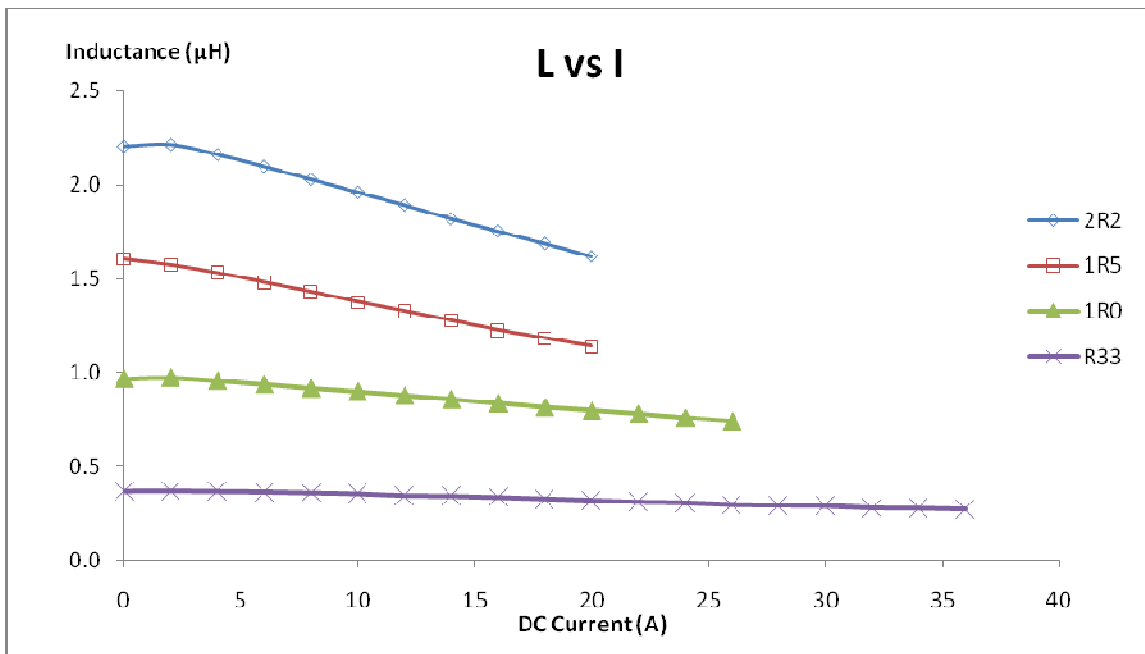
MAGNETIC COMPONENTS

We reserve the right to change specifications without prior notice.



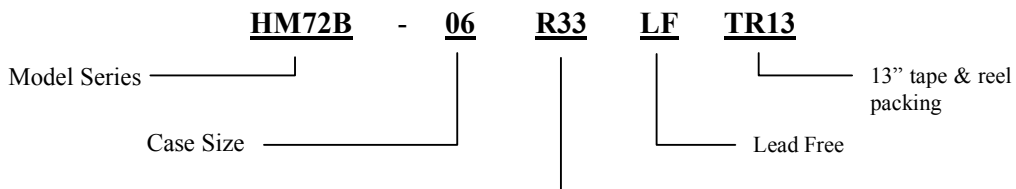
www.bitechnologies.com

Electrical Characteristic @ 20°C (Cont'd)



Packaging / Ordering Information

One reel (13")	2000 pcs
One shipping carton (6 reels)	12000 pcs



Inductance Code:
 First 2 digits are significant. Last digit denotes number of trailing zeros. For values below 10µH, "R" denotes the decimal point.