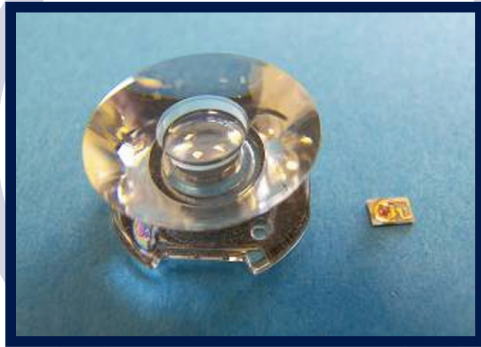




LUMILEDS™ LUXEON® REBEL ADHESIVE-BACKED LENS



FEATURES / BENEFITS

- ▲ For LUXEON Rebel LEDs
- ▲ Available in spot, medium, wide, and oval lenses
- ▲ Integral self-adhesive pad
- ▲ Compact size
- ▲ Greater than 85% efficiency
- ▲ 3 alignment tabs to ensure accurate placement over LED
- ▲ Frosted model for very even light output within 7° half divergence. Designed to minimize hot spots & fringing in color mixing applications

OPERATING CONDITIONS

- ▲ -40°C to +120°C temperature

MATERIALS/FINISH

- ▲ Optical grade LEXAN®

ORDERING INFORMATION

BASE LENSES		
Dialight P/N	Description	Degree*
OPC1-1-SPOT	Spot Base Module for LUXEON Rebel	6°
OPC1-1-MED	Medium Base Module for LUXEON Rebel	15°
OPC1-1-WIDE	Wide Base Module for LUXEON Rebel	25°
OPC1-1-OVAL	Oval Base Module for LUXEON Rebel	8° X 25°
MLC1-1-SDIF	Frosted Spot Base Module for LUXEON Rebel	7°
*All angles refer to half divergence		

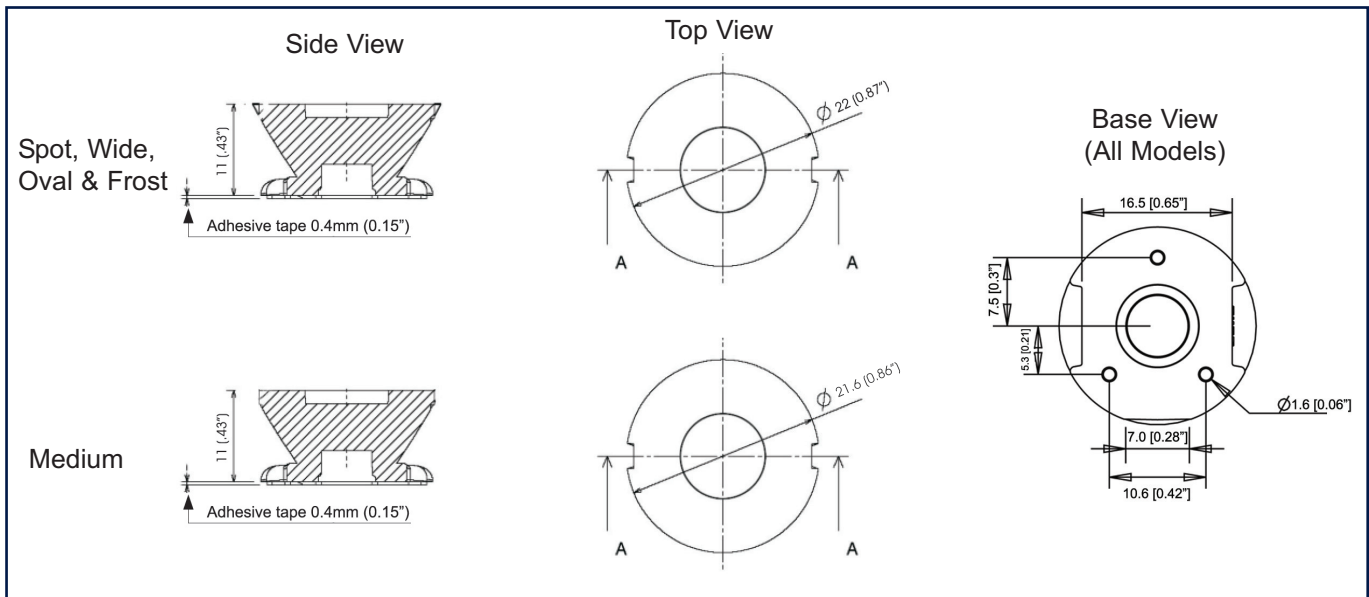
Dialight reserves the right to make changes at any time in order to supply the best product possible.

Dialight Corporation
1501 Route 34 South • Farmingdale, NJ 07727 USA
Tel: (1) 732-919-3119 • Fax: (1) 732-751-5778 • www.dialight.com

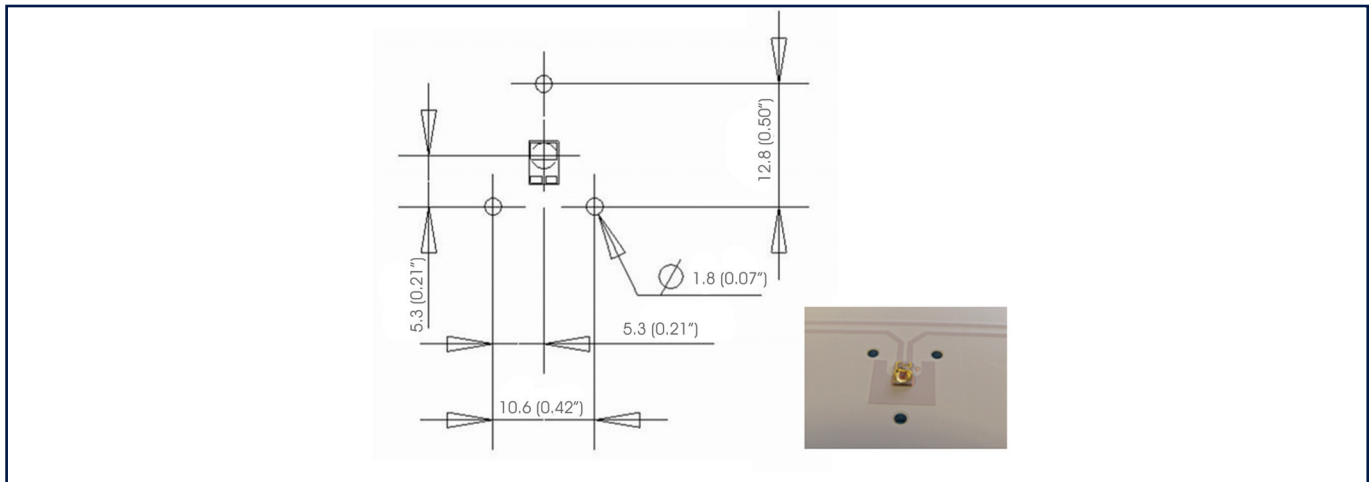


MDEXLUMADBREB_B

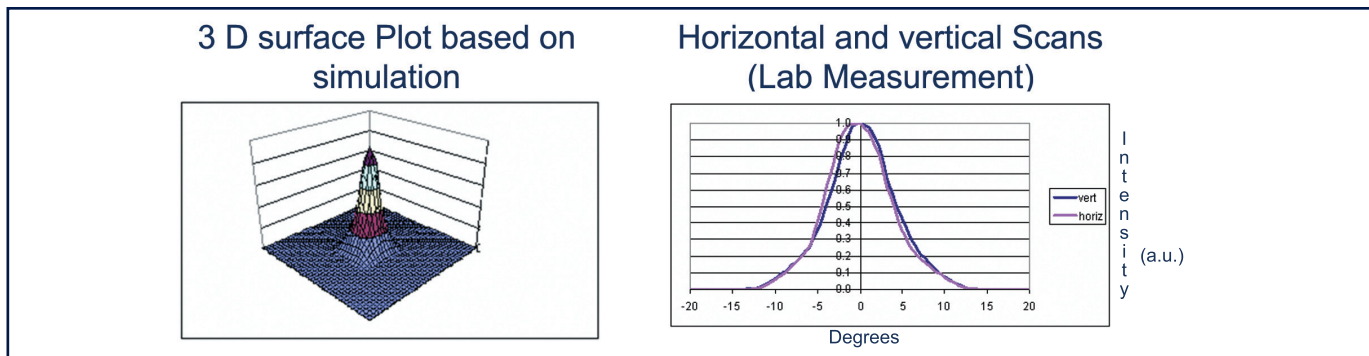
MECHANICAL DIMENSIONS



PCB ALIGNMENT DIMENSION DETAILS



PHOTOMETRIC DATA FOR SPOT VERSION



For photometric data on other models, please contact factory

Dialight Corporation

1501 Route 34 South • Farmingdale, NJ 07727 USA

Tel: (1) 732-919-3119 • Fax: (1) 732-751-5778 • www.dialight.com



MDEXLUMADBREB_B

Dialight reserves the right to make changes at any time in order to supply the best product possible.