

285-675

ISSUE A
Issued for
production
C.E.7.5.98

ISSUED
- 6 MAY 1998
VOLEX DESIGN

DIMENSIONS IN mm. / IF IN DOUBT ASK / FIRST ANGLE PROJECTION / DO NOT SCALE

Cable spec :- 3183Y(1.00 sq) H05W-F BS6500 table 16

Colour :- ORANGE

Safe by markings label

Not mandatory, because not fitted with a plug.

Orange cable/white connector term.

Control.

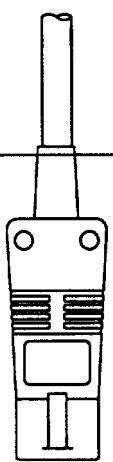
Z359481

Connector assy:- Z352764*

Base :- 728236 White

Cover:- 727881 White

Grommet:- 727882 White

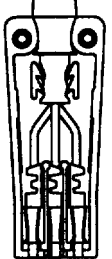


Approvals

Kitemark

094130 Australio

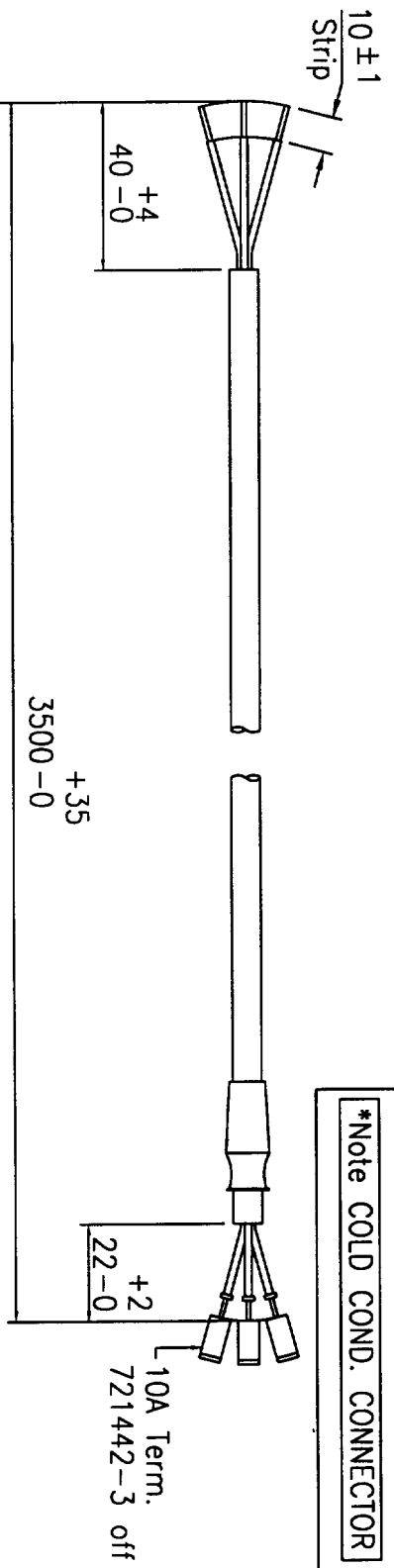
Brown



Green/ Yellow

Blue

*Note COLD COND. CONNECTOR



TITLE
CORD SET - 10A CONNECTOR (10CC1)
COLD COND.



Elizabeth Street, Leigh, Lancs.

DRAWN CE 07/05/98

DRG No

Z359481

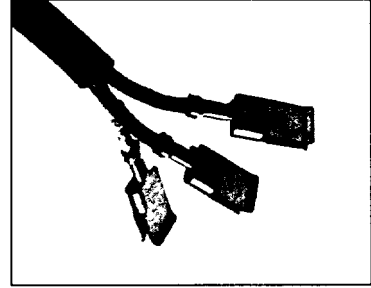
CUSTOMER
FARNELL

CUST PART No
964426

CHECKED / /
SHT 1 OF 1

1000
AV2

The Manufacturers reserve the right to alter specifications without notice.



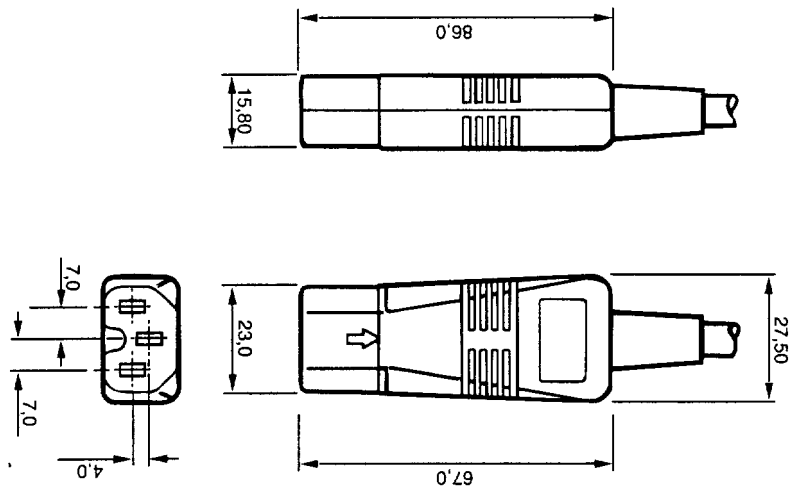
- ▶ Specifications BS 4491, IEC 320 Std13
- ▶ Operating Voltage 250V, a.c.
- ▶ Current Rating 10 Amp
- ▶ Insulation Resistance >10 M ohms
- ▶ Withdrawal Force 10N min 50N max
- ▶ Cable Retention >60N
- ▶ Maximum Pin Temp 65°C
- ▶ Connector Shell Nylon 6
- ▶ Terminals Phosphor Bronze
- ▶ Flexible Cords See Appendix
- ▶ Approvals See Appendix

▶ Earth Continuity	25A
▶ Polarity	
▶ Insulation Resistance L-N	500V, d.c.
▶ Electrical Strength L-N	2.4KV 50HZ
▶ Insulation Resistance L-N-E	500V d.c.
▶ Electrical Strength L-N-E	2.4KV 50HZ
▶ Safety Test	4 kV 50Hz

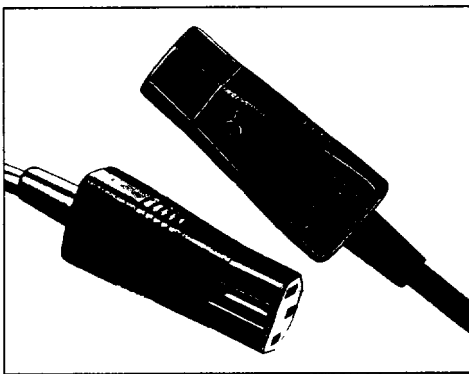
Each plug is 100% tested to the following:

PRODUCT SPECIFICATION

TEST SPECIFICATION



DIMENSIONS IN mm



10 AMP STRAIGHT APPLIANCE CONNECTOR FOR COLD CONDITIONS TYPE NO. 10CC1

10 AMP STRAIGHT APPLIANCE COUPLER

The Voilex Powercords 10 Amp Appliance Connector for Cold Conditions is a 2 piece rigid thermoplastic assembly mechanically locked together providing an effective barrier between the electrical terminations.

The connector includes custom designed fork shaped terminals, which give a greatly improved pin contact over a larger surface area. Manufactured from phosphor bronze the terminal has been developed to provide improved contact and durability when compared to the conventional brass box shaped receptacle.

Each connector undergoes seven electrical tests to ensure correct continuity, polarity and electrical safety. The connector is manufactured under the B.S.I. Kite Mark Scheme.