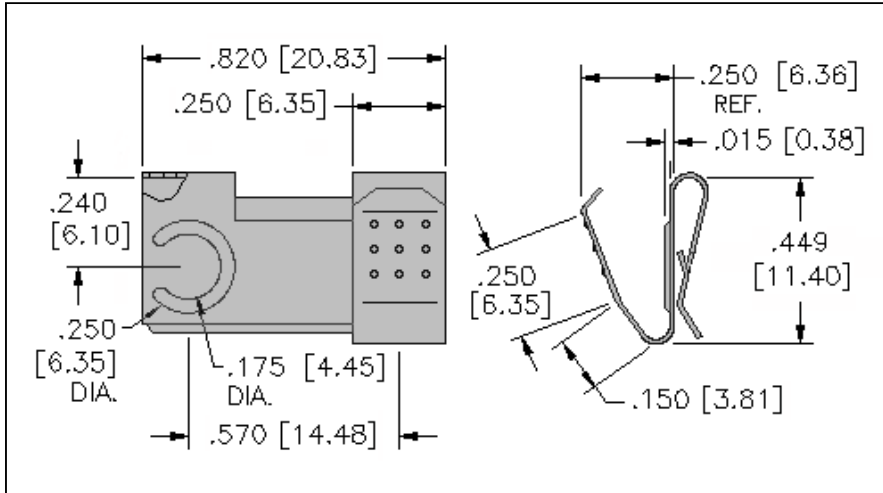




## Leaf Spring/Button Type Battery Contacts

For "A" • "AA" Sizes



### Cat. No. 290 (shown)

Left Side Button Type Positive/Negative Contact

### Cat. No. 291

Right Side Button Type Positive/Negative Contact

**Material:** .012 [0.30] Spring Steel, Nickel Plate

[Click to Request Samples](#)

[VIEW PRODUCT OVERVIEW](#)

