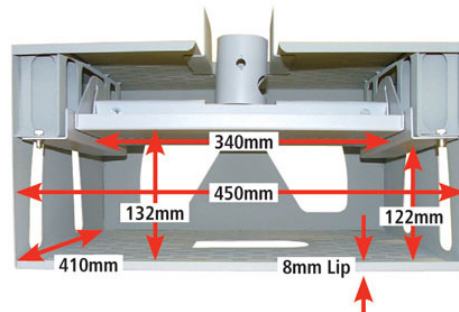


LH or RH Security Box - Pearl Grey



- Sahara manufactured projector security box suitable for left-handed or right-handed lens projectors
- Security boxes can be retrofitted to Sahara ceiling mounts 1150014 and 1150016
- Allows for 45° of tilt
- Can be used with most makes of projector
- Pearl grey
- Weight: 10kg
- External dimensions: 230mm x 453mm x 415mm (h x w x d)
- Internal dimensions as shown below
- You must have a Sahara ceiling mount in order to fit a security box