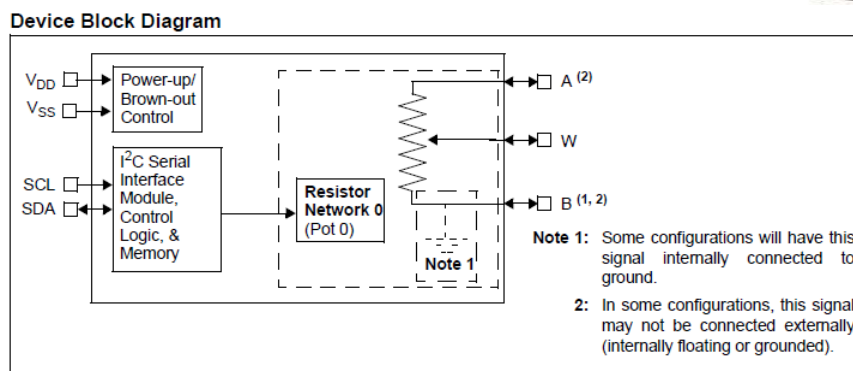




MCP40D17 7-Bit Single I2C™ (with Command Code) Digital POT

General Description:

The MCP40D17/8/9 devices offer a wide range of product offerings using an I2C™Compatible interface. This family of devices supports a 7-bit resistor network, volatile memory configuration, and potentiometer and rheostat pin outs. This device family is offered in miniature 5 and 6 lead SC-70 packaging.



Key Features:

- Potentiometer or Rheostat configuration options
- 7-bit: Resistor Network Resolution - 127 Resistors (128 Steps)
- Zero Scale to Full Scale Wiper operation or 100kohm,
- RAB Resistances: 5kohm, 10kohm, 50kohm
- Low Wiper Resistance: 100ohm (typical)
- Low Tempco:
 - Absolute (Rheostat): 50 ppm typical (0°C to 70°C)
 - Ratiometric (Potentiometer): 15 ppm typical
- Simple I2C™Compatible Protocol with read & write commands
- Brown-out reset protection (1.5V typical)

- Power-on Default Wiper Setting (Mid-scale)
- Low-Power Operation: 2.5 μ A Static Current (typ)
- Wide Operating Voltage Range:
 - 2.7V to 5.5V - Device Characteristics Specified
 - 1.8V to 5.5V - Device Operation

Applications:

- PC Servers (I2C Protocol with Command Code)
- Amplifier Gain Control and Offset Adjustment
- Sensor Calibration (Pressure, Temperature, Position, Optical and Chemical)
- Set point or offset trimming
- Cost-sensitive mechanical trim pot replacement
- RF Amplifier Biasing
- LCD Brightness and Contrast Adjustment

Related Products Information:

Mfr Part #	Farnell #	Newark #	Description
MCP40D17T-103E/LT	1800211	25R7937	7-Bit Single I2C™(with Command Code)Digital POT 10 k Ω , 6-LD SC70
MCP40D17T-502E/LT	1800212	25R7939	7-Bit Single I2C™(with Command Code)Digital POT 5 k Ω , 6-LD SC70