



BD437 Complementary Silicon Power Transistors

General Description:

The BD433, BD435, and BD437 are silicon epitaxial-base NPN power transistors in Jedec SOT-32 plastic package, intended for use in medium power linear and switching applications. The BD433 is especially suitable for use in car-radio output stages. The complementary PNP types are BD434, BD436, and BD438 respectively.

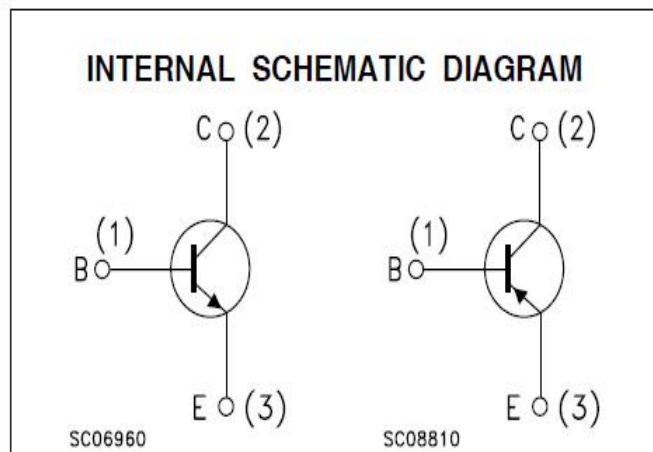


Key Features:

Not mention in the Data sheet

Applications:

- Medium Power Linear
- Switching Applications



Related Products Information:

Mfr Part #	Farnell #	Newark #	Description
BD437	9956336	25M7725	BD437 Complementary Silicon Power Transistors-- TO-126

