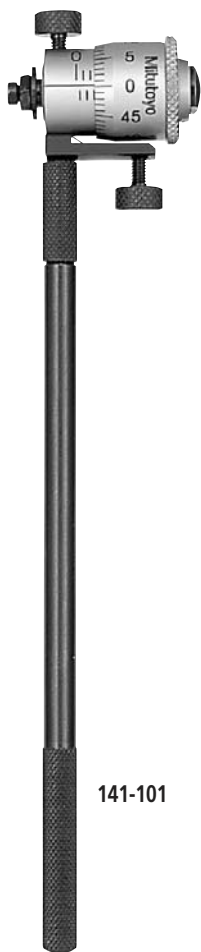
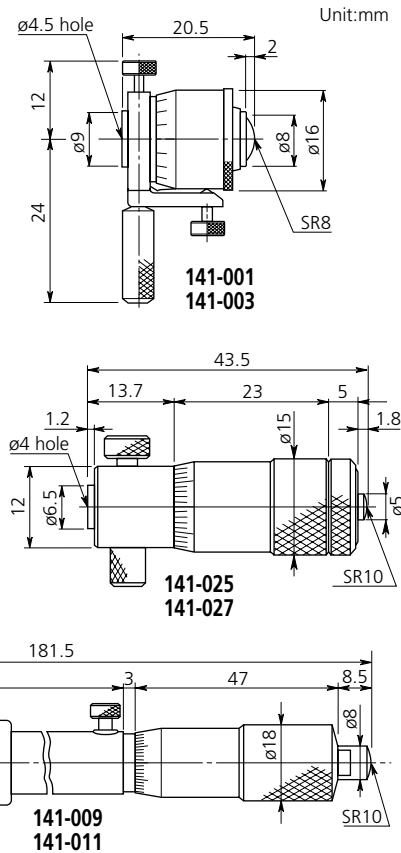


Inside Micrometers

SERIES 141 — Interchangeable Rod Type



Dimensions



INSIDE MICROMETERS

FEATURES

- Wide range of ID measurements with interchangeable rods.
- Each interchangeable rod is marked with its measuring range.
- The sizes of interchangeable rods can be adjusted with spacing collars.
- Both micrometer head and furnished rods are satin-chrome finished throughout.

Accuracy

- $\pm(6+L/50)\mu\text{m}$
 $[\pm(.0003+.00005(L/2))"]^*$

*L=Maximum measuring length (mm) [(inch)], Fraction rounded up

SPECIFICATIONS

Metric

Range	Order No. Plain faces	Order No. Carbide-tipped faces	Graduation	Travel of micrometer head	Remarks
25 - 32mm	141-001	141-003	0.01mm	7mm	—
25 - 50mm	141-101	141-103	0.01mm	7mm	with 2 rods
50 - 63mm	141-025	141-027	0.01mm	13mm	—
50 - 200mm	141-205	141-211	0.01mm	13mm	with 3 rods
50 - 300mm	141-206	141-212	0.01mm	13mm	with 5 rods
200 - 225mm	141-009	141-011	0.01mm	25mm	—

Inch

Range	Order No. Plain faces	Order No. Carbide-tipped faces	Graduation	Travel of micrometer head	Remarks
1" - 1.25"	141-002	141-004	.001"	.25"	—
1" - 2"	141-102	141-104	.001"	.25"	with 2 rods
2" - 2.5"	141-026	141-028	.001"	.5"	—
2" - 8"	141-208	141-214	.001"	.5"	with 3 rods
2" - 12"	141-233	141-215	.001"	.5"	with 5 rods
8" - 9"	141-010	141-012	.001"	1"	—